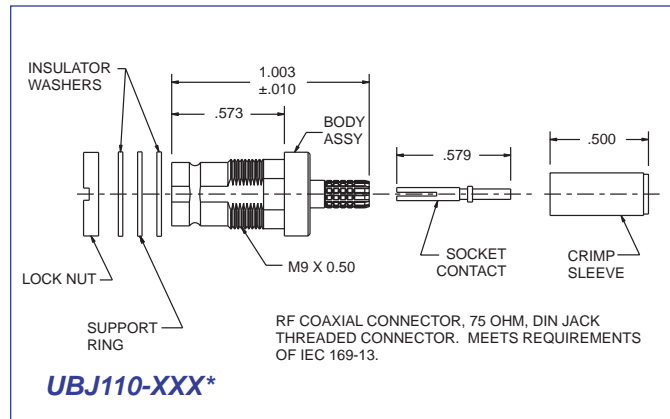
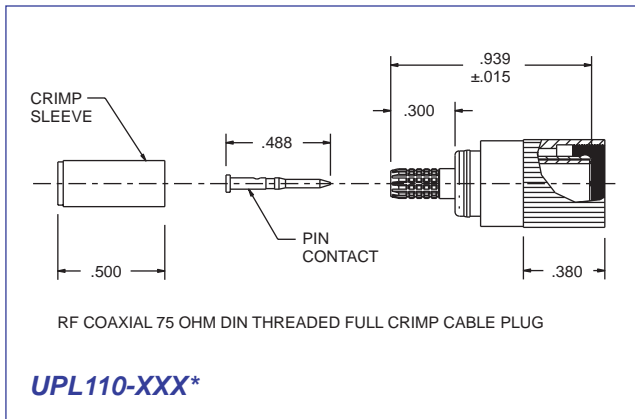
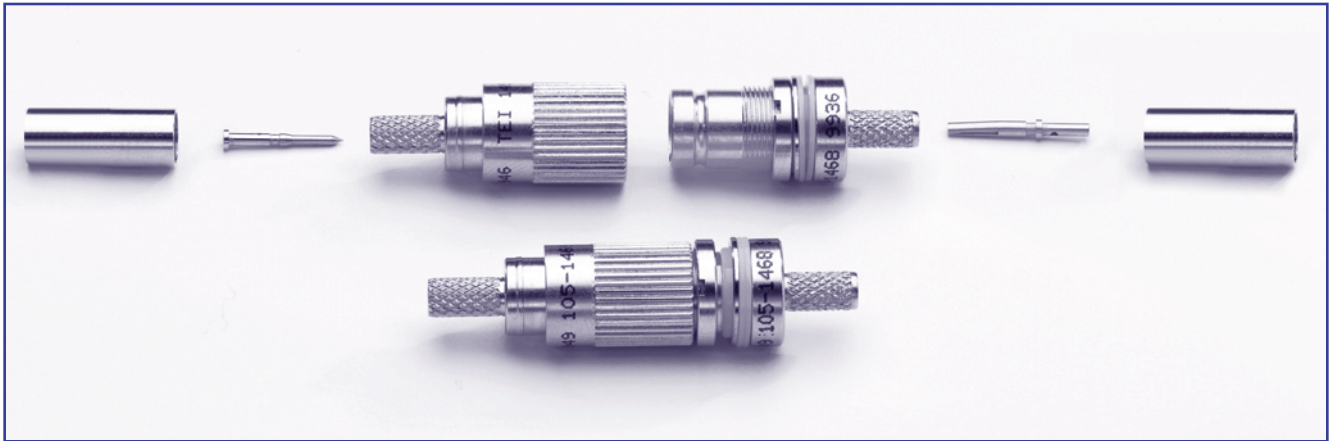


# TRUE 75 OHM COAXIAL 1.6/5.6 DIN CONNECTORS

CENTRAL OFFICE PRODUCT SOLUTIONS - ALL TRUE 75 OHM



Time is money and so is space when you're talking about working area in a central office, CLEC or Co-location space. These applications are looking for more equipment in a small compact working space. Being able to provide more throughputs in a given panel or bay is becoming more important to OEM designers of telco hardware. Trompeter's 110 series connectors are made to the DIN 1.6/5.6 interface specification. This connector style is used in the European and South American Telecom Central Offices for DSX cross connects and beginning to be used and requested in the North American market.

Trompeter's 110 series connectors are 30% smaller than the standard BNC currently used for the Coax Central Office termination. With this space savings 72 interconnects can be placed in the same 1 rack unit panels as 52 BNCs.

The 110 series of connectors is available as a cable plug, cable jack, a U-Link for connecting two jacks, a right angle circuit board jack, and BNC to DIN adapters.

Trompeter's 110 series works with all the cables currently in use in the central office environment and, just as all Trompeter connectors, can be manufactured to accommodate any coax cable changes.

The 110 series 1.6/5.6 DIN connectors have the same superior quality performance as 220 series of telco standard BNCs. Tooling for the Trompeter DIN series is the same as used for the Trompeter 220 series - see installer tooling section of this catalog.

*Note: \* = For specific cable manufacturer and model number cable group information please see the cable group table in this catalog.*

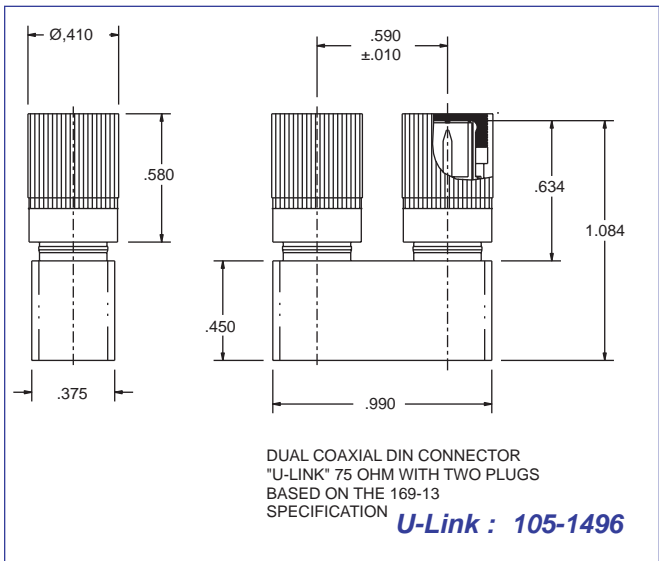
**XXX - Refer to pages 6-7 for Cable Groups.**

# TRUE 75 OHM COAXIAL 1.6/5.6 DIN CONNECTORS

CENTRAL OFFICE PRODUCT SOLUTIONS - ALL TRUE 75 OHM



**U-Link : 105-1496**



## DIN CONNECTOR SPECIFICATIONS:

### Electrical Data:

Characteristic Impedance	75-ohm
Frequency Range	0-3Ghz
VSWR	1.22
Working Voltage	1,500 VRMS at sea Level 300VRMS at 65,000 feet
Temperature Range	-40C to +85C
Insulation Resistance	10,000 MegaOhm Min
Contact Resistance	4.0 milliohms

### Mechanical Data:

Spring Finger Engagement Force	1.5 lbs min, 5 lbs max
Spring Finger Withdrawal Force	12 oz min
Crimp Strength	50 pounds minimum average for 735 type cable and 70 pounds minimum average for 734 type cable.
Durability	500 mating

### Material:

Jack Body	Brass per ASTM-B16
Male Body	Brass per ASTM-B16
Crimp Sleeve	Brass per ASTM-B16
Socket Contact and Spring Fingers	BeCu per ASTM-B196,197
Pin Contact	Brass per ASTM-B16
Dielectric	PTFE

### BNC TO 1.6/5.6 DIN BETWEEN SERIES ADAPTERS

