

DRAWING FOR REFERENCE: This is subject to change without notice
08/11/2012

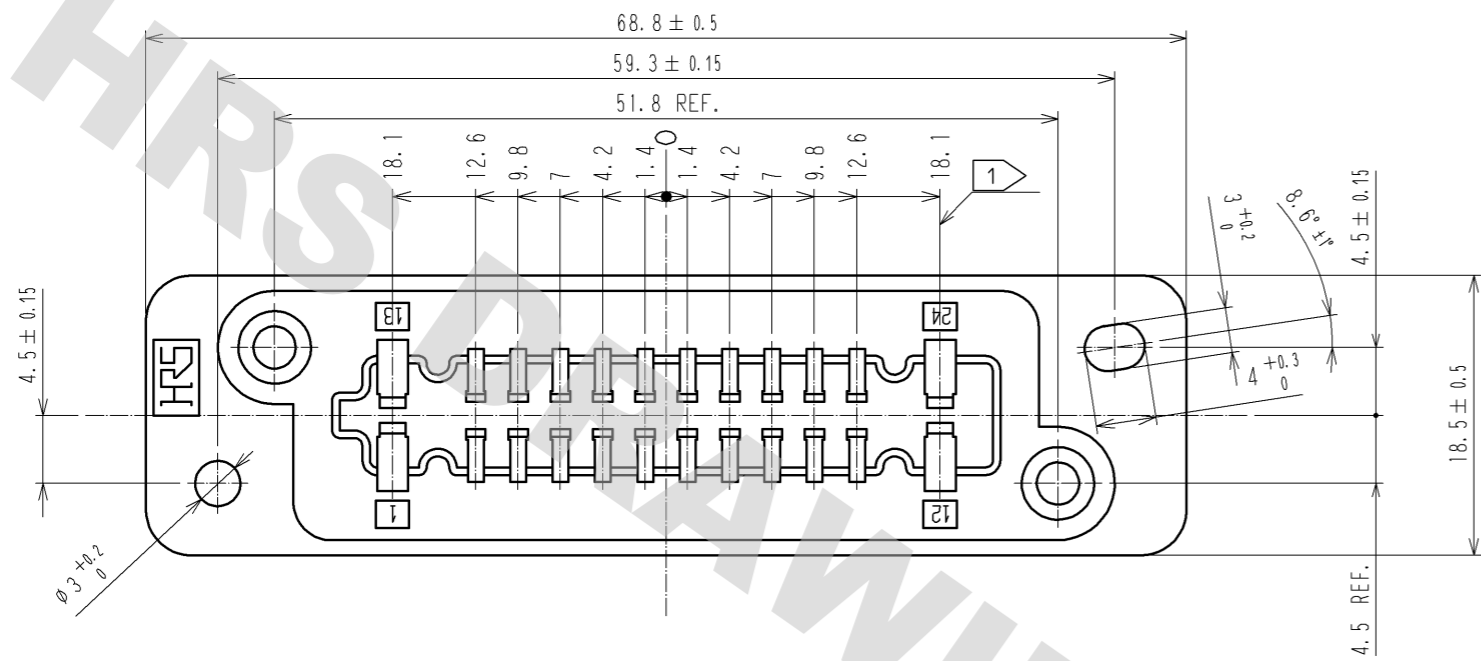


TABLE 2

SAFETY STANDARD		UL		CSA		TÜV
OPERATING TEMPERATURE RANGE		-10 ~ +60 °C				
RATED VOLTAGE	NO. 1, 12, 13, 24	AC 120 V	AC 250 V	AC 125 V	AC 250 V	AC 250 V · DC 300 V
	OTHERS					AC 125 V · DC 150 V
CURRENT RATING	AWG #14	10 A	3 A	10 A	3 A	10 A
	AWG #16			8 A		
	AWG #18					5 A
	AWG #20	3 A	1 A	3 A	1 A	2.5 A
	AWG #22					
	AWG # 24	No. 1, 12, 13, 24	2 A	1 A	2 A	1 A
	OTHERS					
	AWG #26	1 A	0.5 A	1 A	0.5 A	
	AWG #28					

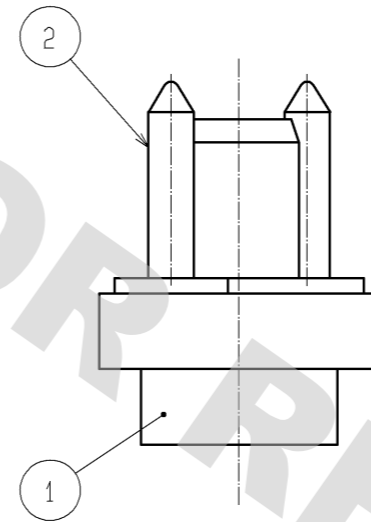
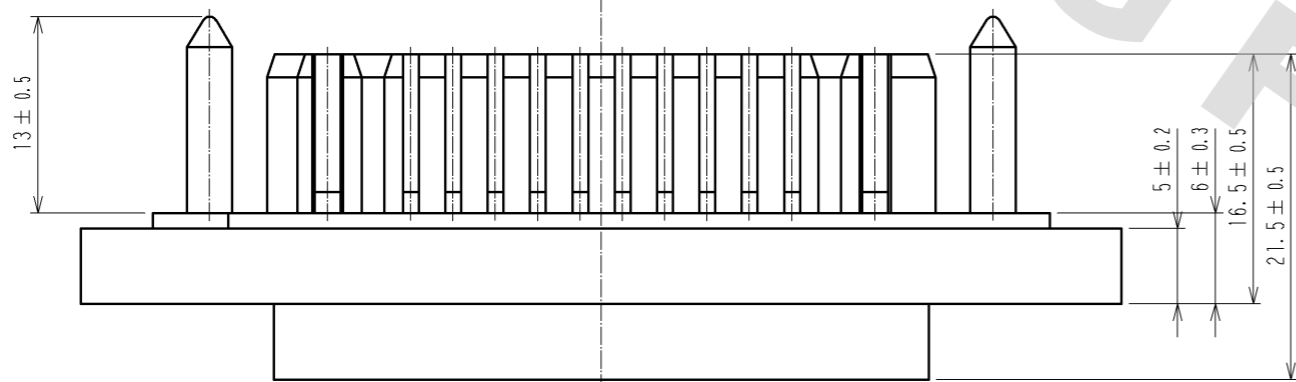
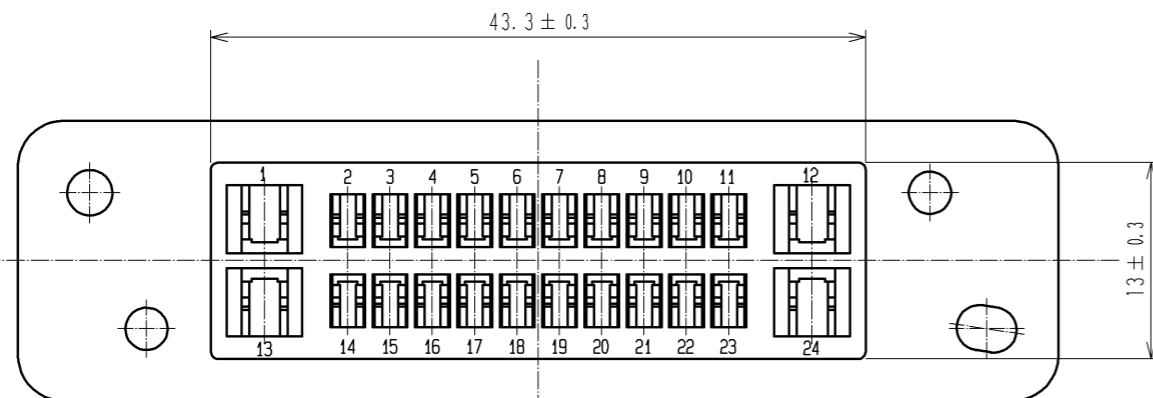


TABLE 1

APPLICABLE CONTACT	AWG No.
QR/P1-PC1A-*11	AWG #18~24
QR/P1-PC1B-*21	AWG #14~16
QR/P1-PC2A-*11	AWG #24~28
QR/P1-PC2B-*21	AWG #20~24

* : 1 INDICATED LOOSE CONTACT
2 INDICATED CHAIN CONTACT

- NOTES
- ① THE TOLERANCE FOR EACH TERMINAL HOLE IS ±0.1.
 - ② OPERATING TEMPERATURE RANGE, RATED VOLTAGE, CURRENT RATING ARE PER TABLE 2.
 - ③ APPLICABLE CONTACTS FOR THIS CONNECTOR ARE PER TABLE 1.
 4. DIRECTIONS FOR USE
 - (1)PLEASE DON'T USE FOR THE PURPOSE OF INTERRUPTING THE CURRENT.
 - (2)PLEASE USE THIS CONNECTOR IN ENCLOSURE.



1	PBT	BLACK , UL94V-0	2	BRASS	NICKEL PLATING 0.8 μm MIN.		
NO.	MATERIAL	FINISH , REMARKS	NO.	MATERIAL	FINISH , REMARKS		
UNITS	mm	SCALE	COUNT	DESCRIPTION OF REVISIONS	DESIGNED	CHECKED	DATE
		2 : 1	△				
APPROVED : RI. TAKAYASU		11. 05. 30	DRAWING NO.		EDC3-020654-04		
CHECKED : YH. ENAMI		11. 05. 30	PART NO.		QR/P1-24P-C(51)		
DESIGNED : MT. ITANO		11. 05. 30	CODE NO.		CL221-0112-1-51		
DRAWN : TF. HIGASHIYAMA		11. 05. 25					