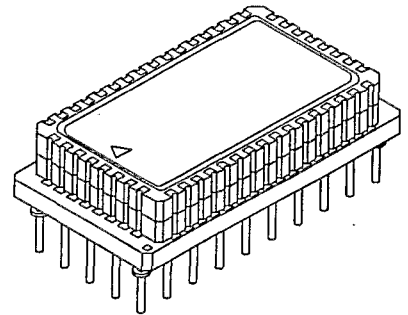


ADVANCED INFORMATION

DESCRIPTION:

The DPS128X16AA3 "DENSE-STACK" module is a revolutionary new high speed memory subsystem using Dense-Pac Microsystems' ceramic Stackable Leadless Chip Carriers (SLCC) mounted on a co-fired ceramic substrate. The module packs 2-Megabits of low-power CMOS static RAM in an area of just over one half square inch (0.540 in²), while maintaining a height of only 0.280 inches.



The DPS128X16AA3 contains two individual 128K x 8 SRAMs, packaged in their own hermetically sealed SLCCs making the module suitable for commercial, industrial and military applications.

The module can be organized as 128K x 16 or 256K x 8 and features extremely low standby power making it suitable for battery backup.

By using SLCCs, the "Dense-Stack" family of modules offers a higher board density of memory than available with conventional through-hole, surface mount or hybrid techniques.

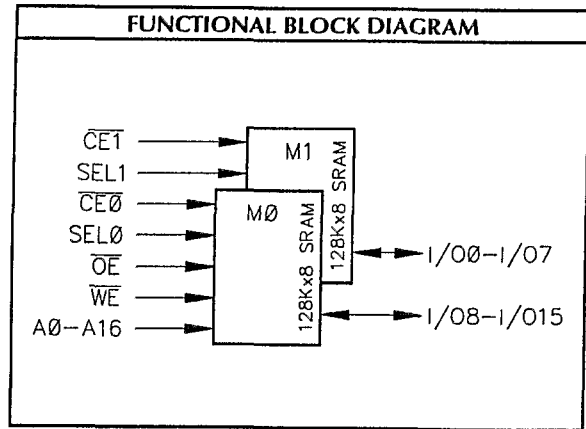
FEATURES:

- Organizations Available: 128K x 16, 256K x 8
- Access Times: 35*, 45, 55, 70ns
- Fully Static Operation - No clock or refresh required
- Low Power Dissipation:
 - 100µW (typ.) Standby
 - 700mW (typ.) Operating
- Single +5V Power Supply, ±10% Tolerance
- TTL Compatible
- Common Data Inputs and Outputs
- Low Data Retention Current: 10µA typ. (2.0V)
- 50-Pin PGA Package

* Commercial only.

FUNCTIONAL BLOCK DIAGRAM

8



PIN-OUT DIAGRAM

PIN NAMES

PIN-OUT DIAGRAM					PIN NAMES		
A	B	C	D	E	(TOP VIEW)		
					A B C D E		
1	N.C.	N.C.	N.C.	CE1	1	A0 - A16	Address Inputs
2	VSS	N.C.	N.C.	SEL1	2	I/O0 - I/O15	Data Input/Output
3	N.C.	A16	N.C.	WE	3	CE0, CE1	Low Chip Enables
4	A14	A12	A7	A8	4	SELO, SEL1	High Chip Enables
5	A6	A5	OE	A11	5	WE	Write Enable
6	A4	A3	A2	CE0	6	OE	Output Enable
7	A1	A0	I/O5	I/O4	7	VDD	Power (+5V)
8	I/O2	I/O1	I/O0	I/O7	8	Vss	Ground
9	VSS	I/O9	I/O11	I/O13	9	N.C.	No Connect
10	I/O8	I/O10	I/O12	I/O14	10		



DETAILED INFORMATION WAS NOT AVAILABLE
AT THE PUBLICATION DATE.

CONTACT YOUR LOCAL SALES OFFICE
FOR MORE DETAILED INFORMATION.

Dense-Pac Microsystems, Inc.

7321 Lincoln Way • Garden Grove, California 92641-1428
(714) 898-0007 • (800) 642-4477 (Outside CA) • FAX: (714) 897-1772

