

SMA Male Right Angle for 1/4 in FSJ1-50A cable



Product Classification

Product Type	Wireless and radiating connector
Product Brand	HELIAX®

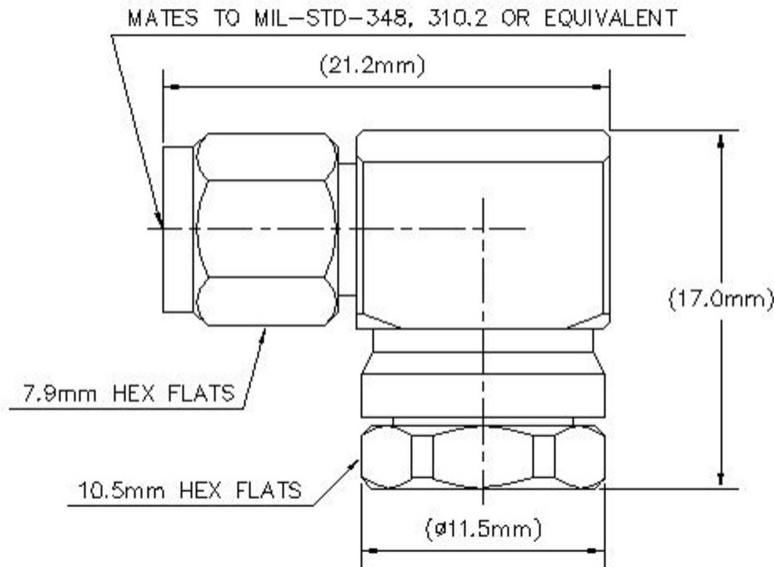
General Specifications

Body Style	Right angle
Cable Family	FSJ1-50A
Inner Contact Attachment Method	Solder
Inner Contact Plating	Gold
Interface	SMA Male
Mounting Angle	Right angle
Outer Contact Attachment Method	Tab-flare
Outer Contact Plating	Trimetal

Dimensions

Height	11.43 mm 0.45 in
Width	17.02 mm 0.67 in
Length	21.08 mm 0.83 in
Right Angle Length	17.02 mm 0.67 in
Diameter	11.43 mm 0.45 in
Nominal Size	1/4 in

Outline Drawing



Electrical Specifications

Average Power at Frequency	0.4 kW @ 900 MHz
Cable Impedance	50 ohm
Connector Impedance	50 ohm
dc Test Voltage	1000 V
Inner Contact Resistance, maximum	3 mOhm
Insulation Resistance, minimum	5000 MOhm
Operating Frequency Band	0 – 12000 MHz
Outer Contact Resistance, maximum	2.5 mOhm
Peak Power, maximum	5 kW
RF Operating Voltage, maximum (vrms)	500 V

VSWR/Return Loss

Frequency Band	VSWR	Return Loss (dB)
45–2700 MHz	1.07	29.42
2700–4000 MHz	1.12	24.95
4000–6000 MHz	1.2	20.83
6000–8000 MHz	1.25	19.09
8000–10000 MHz	1.4	15.57

10000–12000 MHz 1.5 13.98

Mechanical Specifications

Connector Retention Tensile Force	449.27 N 101 lbf
Coupling Nut Proof Torque	1.7 N-m 15.046 in lb
Coupling Nut Proof Torque Method	IEC 61169-1:9.3.6
Coupling Nut Retention Force	180.02 N 40.47 lbf
Coupling Nut Retention Force Method	IEC 61169-1:9.3.11
Interface Durability	500 cycles
Interface Durability Method	IEC 61169-1:9.5
Mechanical Shock Test Method	IEC 60068-2-27

Environmental Specifications

Operating Temperature	-55 °C to +85 °C (-67 °F to +185 °F)
Storage Temperature	-65 °C to +125 °C (-85 °F to +257 °F)
Attenuation, Ambient Temperature	20 °C 68 °F
Average Power, Ambient Temperature	40 °C 104 °F
Average Power, Inner Conductor Temperature	100 °C 212 °F
Corrosion Test Method	IEC 60068-2-11
Moisture Resistance Test Method	IEC 60068-2-3
Thermal Shock Test Method	IEC 60068-2-14
Vibration Test Method	IEC 60068-2-6

Packaging and Weights

Weight, net	12.08 g 0.027 lb
--------------------	--------------------

Regulatory Compliance/Certifications

Agency	Classification
CHINA-ROHS	Below maximum concentration value
ISO 9001:2015	Designed, manufactured and/or distributed under this quality management system
ROHS	Compliant

