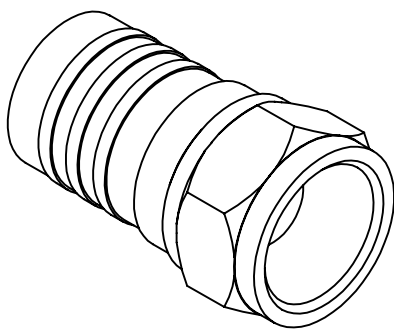
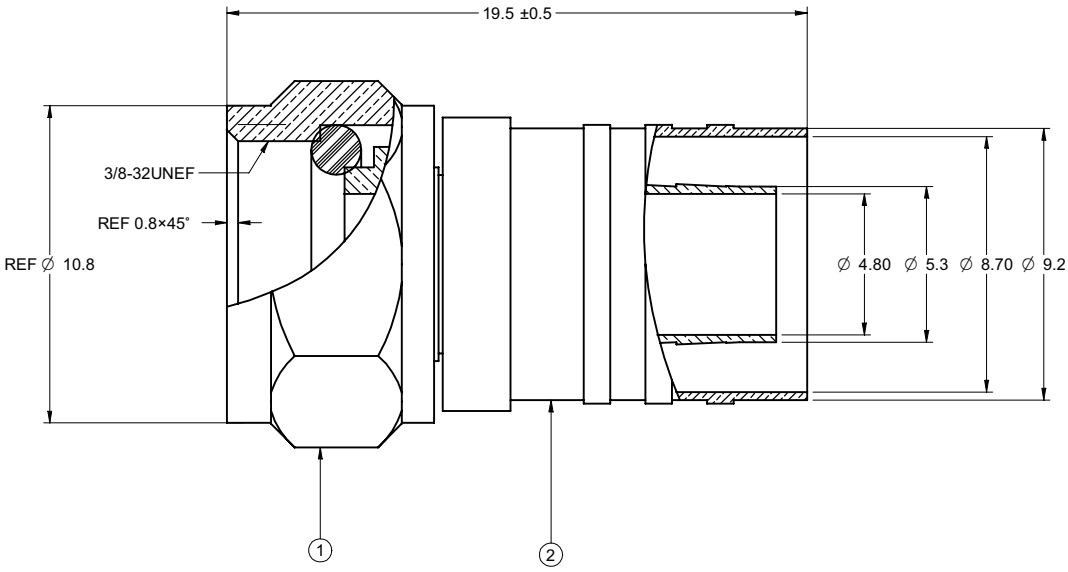
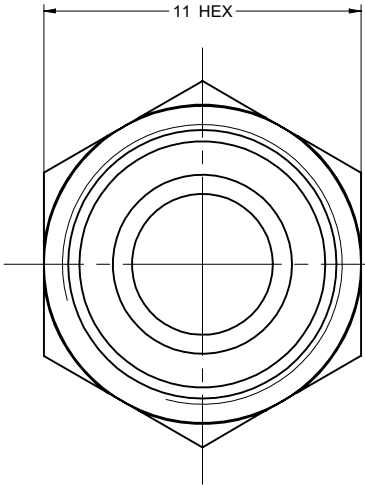


PART NUMBER	ITEM ① NUT	ITEM ② BODY
25-7056	BRASS ZINC PLATED	BRASS ZINC PLATED

**受控 CONTROLLED DOCUMENT**

编号 P/N	25-7056	版本 Rev	0D	日期 Rel'd Date	Mar 24,08
-----------	---------	-----------	----	------------------	-----------

DRAWING NO. <b>25-7056</b>					
REVISIONS					
RELEASE FOR QUOTATION					
A	09-26-05	W	L	T	
ADD SOME DIM.					
B	09-26-05	W	L	T	
CHAGEN SOME TOL. ADD NOTES 4 & 6					
C	12-19-06	Z	L	T	
UPDATE NOTES					
D	07-05-07	Z	W	T	Thomas Chow 2007.08.11 14:21:28 '08'00'



NOTES:  
TECHNICAL REQUIREMENT AND CABLE ASSEMBLY INSTRUCTION REFER TO EMERSON NET WORK POWER CONNECTIVITY SOLUTIONS DOUCUMENT P/N 25-0000.

THIS DRAWING TO BE INTERPRETED PER ANSI Y 14.5M - 1994

**COMPANY CONFIDENTIAL**

TOLERANCE UNLESS OTHERWISE SPECIFIED		DRAWN BY GARY.ZHG	DATE 07-05-07
DECIMALS	mm	CHECKED BY IVON.WANG	DATE 07-05-07
X	± 0.5	APPROVED BY THOMAS	DATE 08-07-07
X.X	± 0.2	U/M	mm
X.XX	± 0.1		
ANGLES	± 0.5°		

<b>EMERSON</b> Network Power		<b>Connectivity Solutions</b>	
TITLE F-56ALM WP W/ 1/2 RING			
SHEET 1 OF 1	DRAWING NO. 25-7056	SIZE C	

THIS DRAWING WAS PRODUCED BY COMPUTER, DO NOT SCALE DRAWING OR UPDATE MANUALLY.