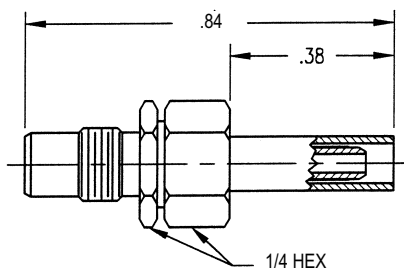


## SMC: Crimp / Clamp Flexible Cable

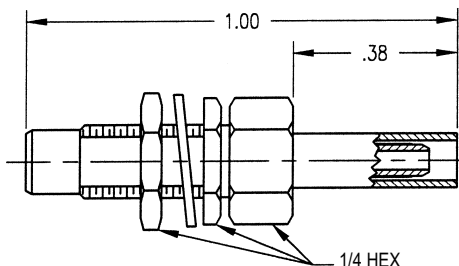
### Straight Jack Captive Contact



Part Number	Cable
501-800-0360H	RG-178
501-800-0630H	RG-316
501-800-0631H	RG-316 double shielded

- See page 104 for cable assembly procedures: No. 8-02
- Part number shown is for gold plated.
- For nickel plate change suffix to "N".

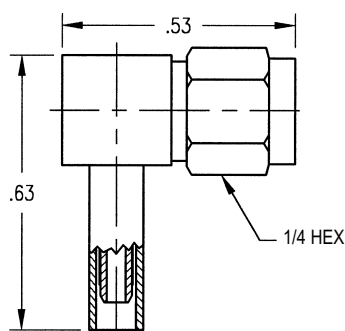
### Straight Bulkhead Jack Captive Contact



Part Number	Cable	Mounting Hole
501-880-0360H	RG-178	No. 080
501-880-0630H	RG-316	No. 080
501-880-0631H	RG-316 double shielded	No. 080

- See page 104 for cable assembly procedures: No. 8-02
- See page 83 for mounting hole layout.
- Part number shown is for gold plated.
- For nickel plate change suffix to "N".

### Right Angle Plug

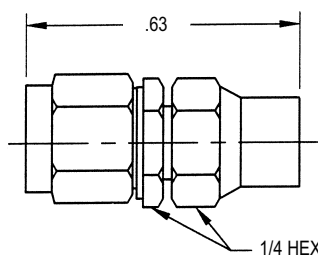


Part Number	Cable
502-900-0360H	RG-178
502-900-0630H	RG-316
502-900-0631H	RG-316 double shielded

- See page 110 for cable assembly procedures: No. 9-06
- Part number shown is for gold plated.
- For nickel plate change suffix to "N".

## SMC: Clamp Flexible Cable

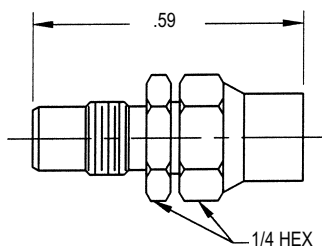
### Straight Plug Captive Contact



Part Number	Cable
500-700-0360H	RG-178
500-700-0630H	RG-316
500-700-0631H	RG-316 double shielded

- See page 99 for cable assembly procedures: No. 7-03
- Part number shown is for gold plated.
- For nickel plate change suffix to "N".

### Straight Jack Captive Contact



Part Number	Cable
501-700-0360H	RG-178
501-700-0630H	RG-316
501-700-0631H	RG-316 double shielded

- See page 99 for cable assembly procedures: No. 7-03
- Part number shown is for gold plated.
- For nickel plate change suffix to "N".

Note: Dimensions shown in inches.