

## Bus system T-connector - SAC-5P-M12T/2XMIN DN - 1401028


Please be informed that the data shown in this PDF Document is generated from our Online Catalog. Please find the complete data in the user's documentation. Our General Terms of Use for Downloads are valid (<http://phoenixcontact.com/download>)



Bus system T-connector, DeviceNet™, 5-position, unshielded, Plug straight 7/8"-16UNF, on Socket straight M12, A-coded and Plug straight 7/8"-16UNF, Parallel distributor



### Key Commercial Data

Packing unit	1 pc
GTIN	 4 046356 542623
GTIN	4046356542623
Weight per Piece (excluding packing)	84.000 g
Custom tariff number	85366990
Country of origin	Germany

### Technical data

#### Ambient conditions

Degree of protection	IP65
	IP67
Ambient temperature (operation)	-40 °C ... 75 °C (Plug / socket)

#### General data

Rated current at 40°C	4 A
Rated voltage	60 V
Number of positions	5
Signal type/category	DeviceNet™
Standards/regulations	M12 connector IEC 61076-2-101
Overvoltage category	II
Degree of pollution	3
Alternative short product description	T distributor
Rated voltage in acc. with IEC 61076-2-101	60 V
Contact material	CuZn

# Bus system T-connector - SAC-5P-M12T/2XMIN DN - 1401028

## Technical data

### General data

Contact carrier material	PA/TPE-U
Contact surface material	AU

### Standards and Regulations

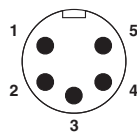
Standard designation	M12 connector
Standards/regulations	IEC 61076-2-101

### Environmental Product Compliance

REACH SVHC	Lead 7439-92-1
China RoHS	Environmentally Friendly Use Period = 50
	For details about hazardous substances go to tab "Downloads", Category "Manufacturer's declaration"

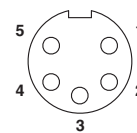
## Drawings

Schematic diagram



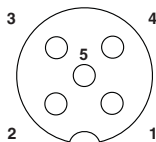
Pin assignment, plug, 7/8"-16UNF, 5-pos., view of male side

Schematic diagram



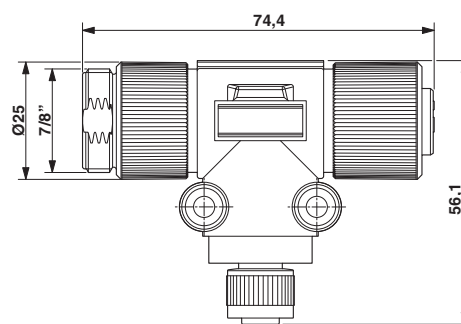
Pin assignment, socket, 7/8"-16UNF, 5-pos., view of female side

Schematic diagram



Pin assignment of M12 socket, 5-pos.

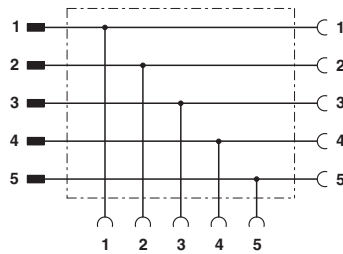
Dimensional drawing



M12 T-distributor on 7/8"

# Bus system T-connector - SAC-5P-M12T/2XMIN DN - 1401028

Circuit diagram



Contact assignment of M12 on 7/8" T distributor

## Classifications

eCl@ss

eCl@ss 4.0	27060306
eCl@ss 4.1	27060306
eCl@ss 5.0	27061801
eCl@ss 5.1	27260700
eCl@ss 6.0	27260700
eCl@ss 7.0	27440102
eCl@ss 8.0	27440102
eCl@ss 9.0	27440106

ETIM

ETIM 2.0	EC000830
ETIM 3.0	EC001855
ETIM 4.0	EC000421
ETIM 5.0	EC002635
ETIM 6.0	EC002061

UNSPSC

UNSPSC 6.01	31251501
UNSPSC 7.0901	31251501
UNSPSC 11	31251501
UNSPSC 12.01	31251501
UNSPSC 13.2	39121413

## Approvals

Approvals

Approvals

UL Listed / cUL Listed / cULus Listed

# Bus system T-connector - SAC-5P-M12T/2XMIN DN - 1401028

## Approvals

Ex Approvals

### Approval details

UL Listed		<a href="http://database.ul.com/cgi-bin/XYV/template/LISEXT/1FRAME/index.htm">http://database.ul.com/cgi-bin/XYV/template/LISEXT/1FRAME/index.htm</a>	FILE E 221474
Nominal voltage UN	60 V		
Nominal current IN	4 A		

cUL Listed		<a href="http://database.ul.com/cgi-bin/XYV/template/LISEXT/1FRAME/index.htm">http://database.ul.com/cgi-bin/XYV/template/LISEXT/1FRAME/index.htm</a>	FILE E 221474
Nominal voltage UN	60 V		
Nominal current IN	4 A		

cULus Listed			
--------------	--	--	--

## Accessories

### Accessories

#### Protective cap

Screw plug - PROT-M12 MS-PA-CHAIN - 1430899

M12 sealing cap with fixing band, for sensor cables, for free M12 sockets



Screw plug - PROT-MINMS-PA-CHAIN - 1430925

7/8" sealing cap made of plastic with fixing band, for sensor cables, for 7/8" sockets



## Bus system T-connector - SAC-5P-M12T/2XMIN DN - 1401028

### Accessories

Sealing cap - PROT-MINFS-PA-CHAIN - 1430912

7/8" sealing cap made of plastic with fixing band, for sensor cables, for 7/8" connectors



---

### Screwdriver tools

Tool - SAC BIT M12-D15 - 1208432



Nut for assembling sensor/actuator cables with M12 connector and M12 connectors for assembly, with a knurl diameter of 15 mm, for 4 mm hexagonal drive

---

Tool - SAC BIT MIN-D25 - 1212512



Nut for assembling 7/8" connectors with a knurl diameter of 25 mm, with 4 mm hexagonal drive

---

Adapter insert - TSD-M SAC-BIT ADAPTER - 1212600



Adapter bit for TSD-M...torque tools, E6.3-1/4" drive with 4 mm hexagon to accommodate SAC bits

---

### Terminal marking

Zack Marker strip, flat - ZBF 17:UNBEDRUCKT - 0815020



Zack Marker strip, flat, Strip, white, unlabeled, can be labeled with: PLOTMARK, CMS-P1-PLOTTER, mounting type: snap into flat marker groove, for terminal block width: 17 mm, lettering field size: 17 x 5.2 mm

---

### Torque tool

## Bus system T-connector - SAC-5P-M12T/2XMIN DN - 1401028

### Accessories

Torque screwdriver - TSD 04 SAC - 1208429



Torque screwdriver, with preset torque of 0.4 Nm and 4 mm hexagonal drive for M12 connectors

---

Torque screwdriver - TSD 08 SAC - 1212597



Torque screw driver with preset torque of 0.8 Nm, with 4 mm hexagon for accommodating SAC bits, two-component handle with non-slip grip

---

Torque screwdriver - TSD-M 1,2NM - 1212224



Torque screw driver, accuracy as per EN ISO 6789 standard, adjustable from 0.3 - 1.2 Nm

---

---