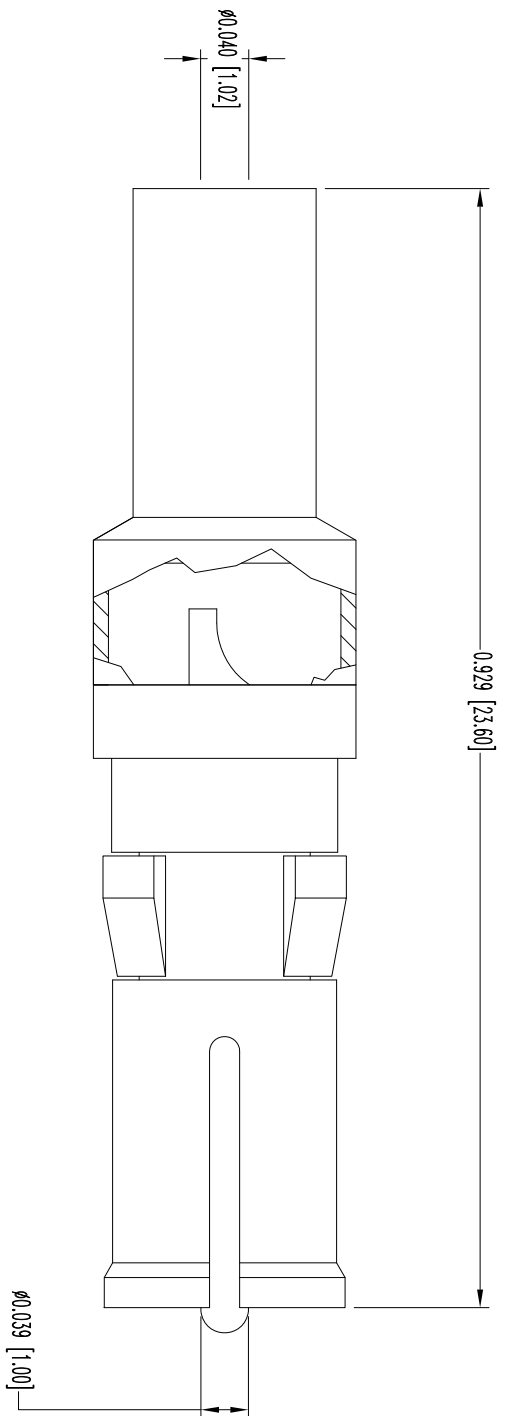



THIS DRAWING CONTAINS INFORMATION PROPRIETARY TO POSITRONIC AND ITS SUBSIDIARIES. POSITRONIC BELIEVES THE DATA ON THIS DRAWING TO BE RELIABLE. SINCE THE TECHNICAL INFORMATION IS GIVEN FREE OF CHARGE, THE USER ASSUMES ALL LIABILITY FOR ANY DAMAGE, LOSS AND RISK. POSITRONIC ASSUMES NO RESPONSIBILITY FOR RESULTS OBTAINED OR DAMAGES INCURRED FROM USE OF SUCH INFORMATION IN WHOLE OR IN PART.

DATE	REV	REVISION RECORD	APP	DR	OK
4-21-14	NC	ECO 42975	TK	MP	COLF

SK16050



- NOTES:
1. MATERIAL AND FINISH: PRECISION MACHINED COPPER ALLOY WITH PTFE INSULATOR, SIGNAL CONTACT-0.000030 [0.75 $\mu$ ] GOLD OVER NICKEL, CONTACT BODY-GOLD FLASH OVER NICKEL.
  2. DETAILED PRODUCT, MECHANICAL, AND ELECTRICAL INFORMATION IS AVAILABLE IN THE LATEST STANDARD DENSITY COMBO-D OR CONNECTPOSITRONIC.COM/PRODUCTS/1/STANDARDENSITYCOMBO-D OR CONNECTPOSITRONIC.COM.
  3. DIMENSIONS ARE IN INCHES [MILLIMETERS].

 <p><b>POSITRONIC INDUSTRIES INC.</b> www.connectpositronic.com</p>		SCALE		DRAWN BY																																					
		N.T.S.		MP																																					
TITLE		DATE		DRAWING NUMBER																																					
FC4101D		4-21-14		SK16050																																					
DECIMAL TOL.		ANGULAR TOL.		REV.																																					
$\pm 0.015$ [0.38]		$\pm 9^\circ$		NC																																					
<p>REVISION RECORD</p> <table border="1"> <tr> <th>DATE</th> <th>REV</th> <th>REVISION RECORD</th> <th>APP</th> <th>DR</th> <th>OK</th> </tr> <tr> <td>4-21-14</td> <td>NC</td> <td>ECO 42975</td> <td>TK</td> <td>MP</td> <td>COLF</td> </tr> </table>		DATE	REV	REVISION RECORD	APP	DR	OK	4-21-14	NC	ECO 42975	TK	MP	COLF	<p>REVISION RECORD</p> <table border="1"> <tr> <th>DATE</th> <th>REV</th> <th>REVISION RECORD</th> <th>APP</th> <th>DR</th> <th>OK</th> </tr> <tr> <td></td> <td></td> <td></td> <td></td> <td></td> <td></td> </tr> </table>		DATE	REV	REVISION RECORD	APP	DR	OK							<p>REVISION RECORD</p> <table border="1"> <tr> <th>DATE</th> <th>REV</th> <th>REVISION RECORD</th> <th>APP</th> <th>DR</th> <th>OK</th> </tr> <tr> <td></td> <td></td> <td></td> <td></td> <td></td> <td></td> </tr> </table>		DATE	REV	REVISION RECORD	APP	DR	OK						
DATE	REV	REVISION RECORD	APP	DR	OK																																				
4-21-14	NC	ECO 42975	TK	MP	COLF																																				
DATE	REV	REVISION RECORD	APP	DR	OK																																				
DATE	REV	REVISION RECORD	APP	DR	OK																																				