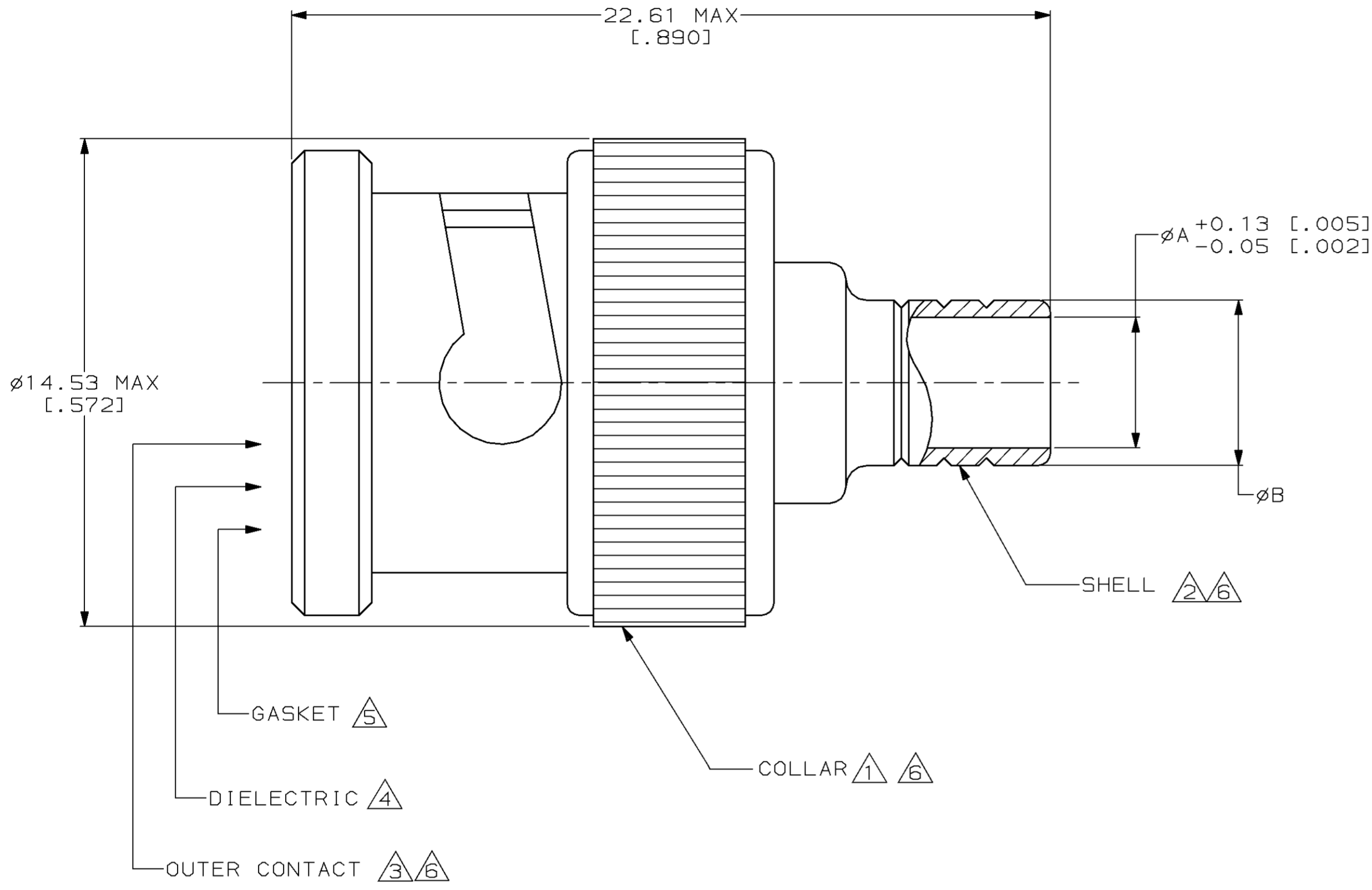


LOC	DIST	P	F	ZONE	LTR	DESCRIPTION	DATE	APPD
AJ	16					D REVISED PER EC 0220-0754-94	27OCT94	MEC
						E REVISED PER EC 0220-0535-95	05SEP95	MEC



- 1 ZINC PER QQ-Z-363
- 2 BRASS PER QQ-B-613
- 3 BRASS PER MIL-C-21768
- 4 POLYETHYLENE GENERAL PURPOSE
- 5 SILICONE RUBBER PER ZZ-R-765
- 6 NICKEL PL PER QQ-N-290

3.81 [.150]	2.79 [.110]	227074-8
5.21 [.205]	4.17 [.164]	227074-7
4.11 [.162]	3.06 [.122]	227074-6
6.50 [.256]	5.46 [.215]	227074-5
3.81 [.150]	2.79 [.110]	227074-2
4.11 [.162]	3.06 [.122]	227074-1
B	A	PART NUMBER

		PART NO	
DO NOT SCALE PRINT. UNLESS SPECIFIED DIMENSIONS IN INCHES TOLERANCES ON : 2 PLC DEC ± 0.13 [.005] 3 PLC DEC ± - ANGLES ± -	DR	M. SNEED	5-17-90
	CHK	D. LAMAN	7-6-90
MATERIAL  SEE NOTES	APPD	M. PHILLIPS	7-9-90
	APPD	D. LAMAN	7-9-90
FINISH  SEE NOTES	PRODUCT SPEC	-	
	APPLICATION SPEC	-	
WEIGHT		-	
		SIZE	CAGE CODE
		8:1	00779
		DRAWING NO	
		227074	
		SHEET	
		1 OF 1	

**AMP** AMP Incorporated  
Harrisburg, PA 17105-3608

PLUG ASSEMBLY, BNC