

**Female connector; 100% protected against mismatching; codable;
Pin spacing 17.5 mm / 0.689 in; 3-pole**

Item No.: 834-1103



Female connector; 100% protected against mismatching; codable; Pin spacing 17.5 mm / 0.689 in; 3-pole

Marking

RoHS ✓
Compliant

Business data

Supplier	WAGO
Item no.	834-1103
GTIN / EAN	4045454753801
Content	1
Order amount	5
Customer item number	

Notes

Technical data

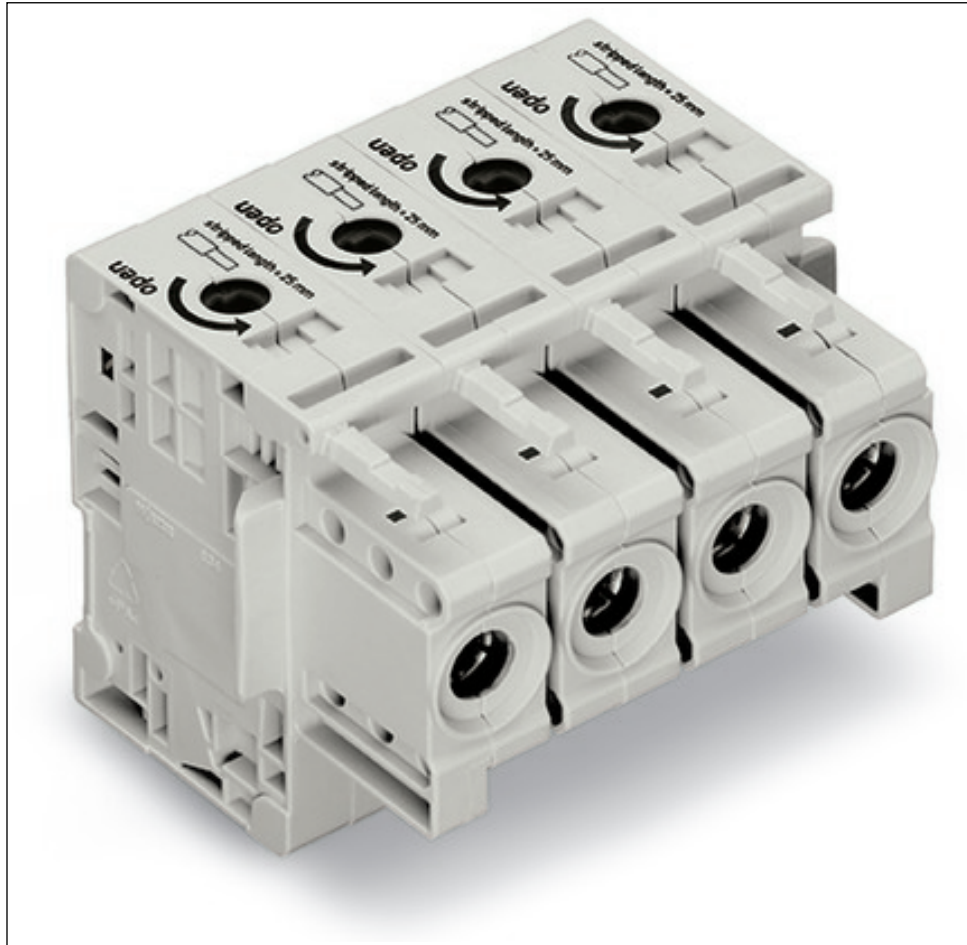
Miscellaneous

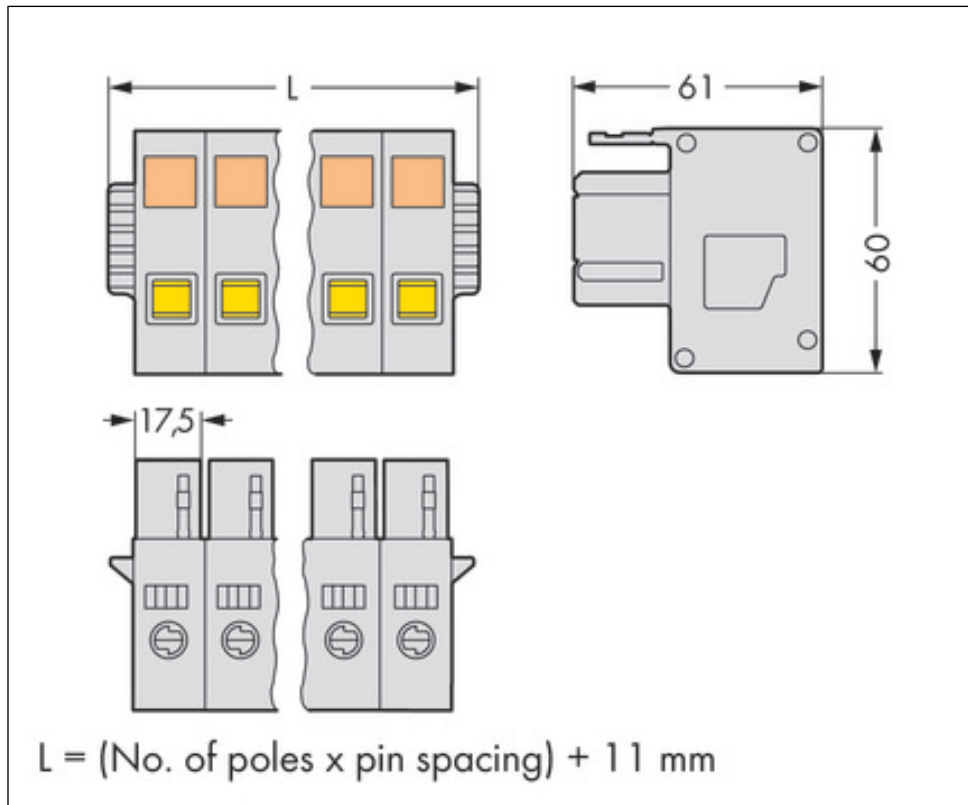
No. of poles	3
Pin spacing	17.5 mm / 0.689 in %
Total number of connection points	3
Total number of potentials	3
Color	light gray
Ratings according to 1	IEC/EN 60664-1
Rated voltage (III / 3) [V]	1000 [V]
Rated surge voltage (III / 3) [kV]	8 [kV]
Nominal current [A]	125 [A]

Printview: Female connector; 100% protected against mismatching; codable; Pin spacing 17.5 mm / 0.689 in;
3-pole - Item No.: 834-1103

Technical data	
<i>Connection technology</i>	<i>POWER CAGE CLAMP</i>
<i>Number of connection points</i>	<i>1</i>
<i>Actuation type</i>	<i>Betätigungswerkzeug</i>
<i>Connectable conductor materials</i>	<i>Kupfer</i>
<i>Solid sizes</i>	<i>6 ... 35 mm² / 8 ... 2 AWG</i>
<i>Fine-stranded wires</i>	<i>6 ... 35 mm² / 8 ... 2 AWG</i>
<i>Strip length</i>	<i>25 mm / 0.98 in</i>
<i>Type of wiring</i>	<i>Side-entry wiring</i>
<i>Insulating material</i>	<i>Polyamide 66 (PA 66)</i>
<i>Fire load [MJ]</i>	<i>2.743 [MJ]</i>
<i>Weight [g]</i>	<i>168.3 [g]</i>
<i>Width</i>	<i>63.5 mm / 2.5 in</i>
<i>Height</i>	<i>60 mm / 2.362 in</i>
<i>Length</i>	<i>61 mm / 2.402 in</i>

Images & drawings





Address

WAGO Kontakttechnik GmbH & Co. KG

Hansastr. 27

32423 Minden

Telefon: 0571/887-0

Fax: 0571/887-169

<http://www.wago.com>

© WAGO Kontakttechnik GmbH & Co. KG

Technische Änderungen und Irrtümer vorbehalten.