

**180-053**  
**In-Line Composite Plug Connector**  
**for MIL-T-29504/4 Pin Terminus (181-002-\*\*\*)**

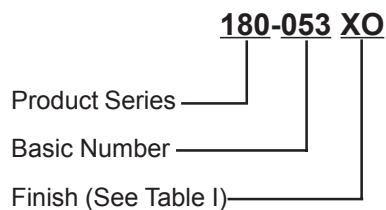
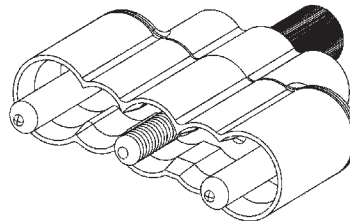
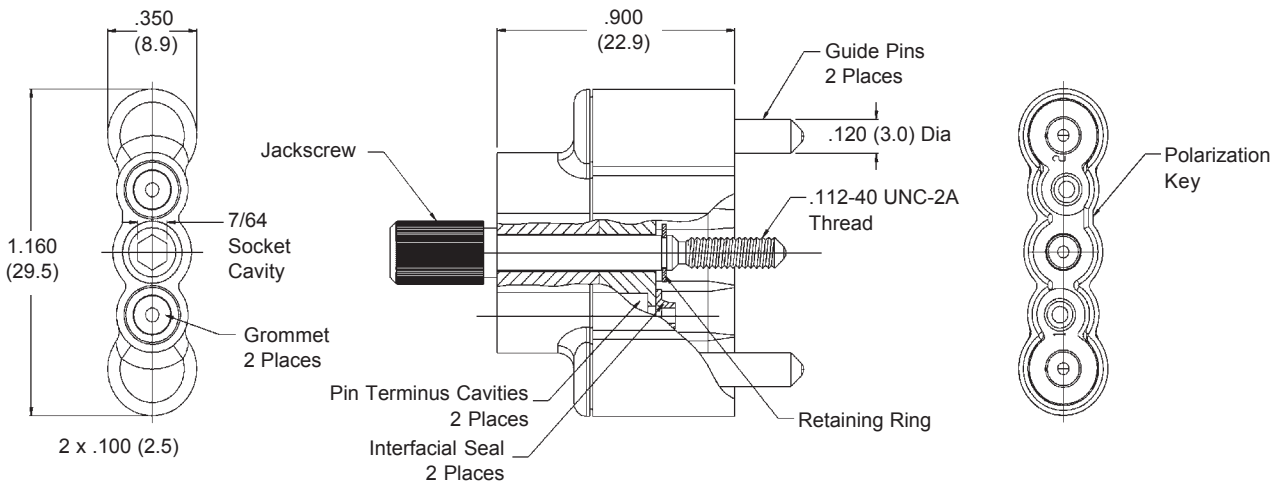


TABLE I: FINISH	
XM	Electroless Nickel
XW	Cadmium Olive Drab Over Electroless Nickel
XB	No Plating - Black Material
XO	No Plating - Base Material Non-conductive

Metric Dimensions (mm) are indicated in parentheses