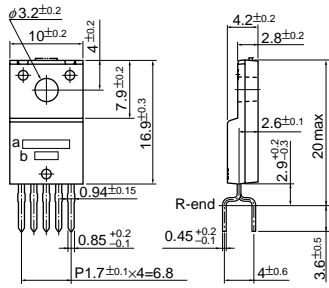


Part No.	Classification	Number of Circuits	Supply of Circuits (V)	Output Current (A)	Allowable Power Dissipation without Heatsink (W)	Package	Protection Circuit	Fig. No.
SI-5151S	High-side power switch with diagnosis function	1 circuit	40	1.8	1.5	TO-220F 5Pin	Built-in overcurrent and thermal protection circuits	1
SI-5152S				1.8	1.8			
SI-5153S				2.04	1.8			
SI-5154S				2.5	1.8			
SI-5155S				2.5	1.8			
SDH04		2 circuits	35	1.5	2.6	SMD16Pin		2
SPF5003				1.8	1.8			
SPF5004		3 circuits	40	1.5	4.8	SIP15Pin		5
SLA2501M				1.8	2.7	SMD24Pin		4
SPF5007				1.2	4.8	SIP15Pin		5
SLA2502M	Low-side power switch	4 circuits	40	1.8	2.0	SMD16Pin	Built-in overcurrent, overvoltage and thermal protection circuit	3
SPF5002A				2.9	2.8	SMD24Pin		
SPF5009				Self limited	5.0			
SPF5012								

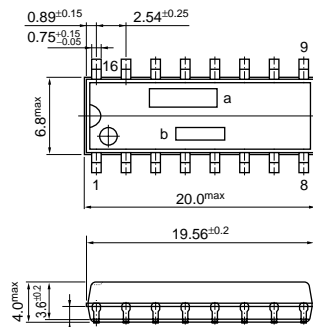
External Dimensions

• No. 1



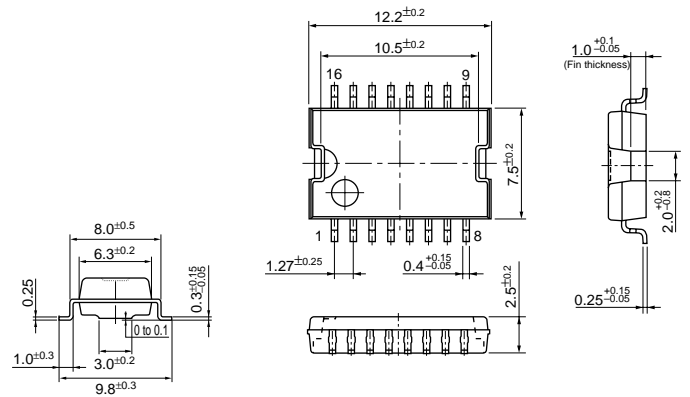
- 1. GND
 - 2. V_{IN}
 - 3. V_O
 - 4. DIAG
 - 5. V_B
- a. Part No.
b. Lot No.
(Forming No. 1123)

• No. 2

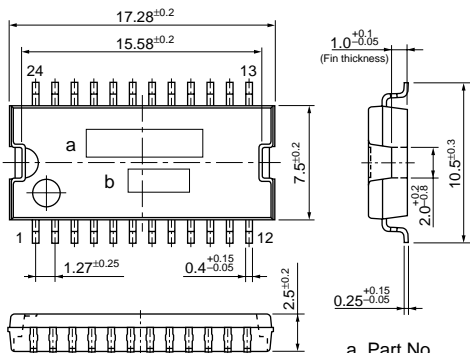


- a. Part No.
b. Lot No.

• No. 3

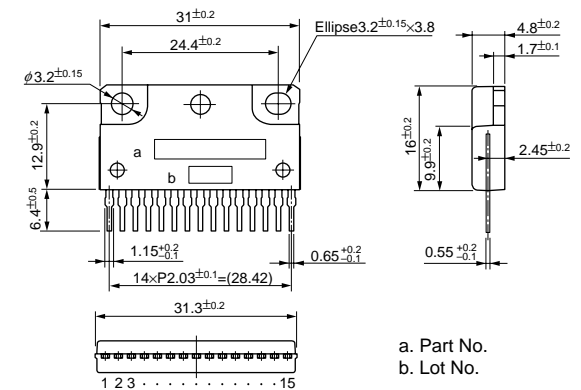


• No. 4



- a. Part No.
b. Lot No.

• No. 5



- a. Part No.
b. Lot No.

(unit: mm)