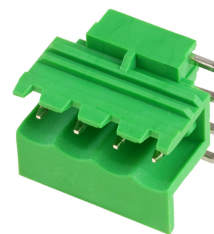




STL955/..-5.0-OR-GREEN



Technical Data

Wire Sizes		Insulating Material	
Solid min	-	Material	PA 6.6
solid max	-	Flammability Class	UL 94 V-0
Stranded (flexible)		Temperatures	
min	-	Operating Temperature	-30 °C - 105 °C
max	-	Wave Soldering Process	
Stranded with Ferrule		Soldering Temperature, recommended	265 °C
min	-	Peak Soldering Time, recommended	3-4 s
max	-	Reflow Process	
Stranded with Ferrule		Soldering Temperature, recommended	-
min	-	Peak Soldering Time, recommended	-
max	-	Dimensions	
Stripped Length		PCB Hole Diameter 1.6 mm	
Materials		Contact Pin Brass	

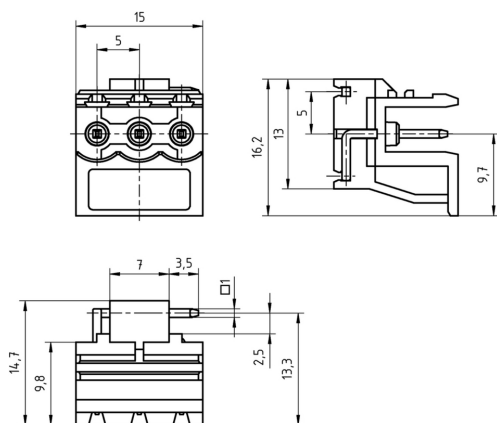
Colours

GREEN	RAL6018	
LIGHT GREEN	similar RAL 6018	

Colours according to RAL, there may be variations on colour due to production conditions.
Special colours on request.

Counterparts (Spacing 5.0 mm)


Pin Strip/Terminal Blocks				
AK950	AK955	AK3950	AK1110	AK1100



Order Data (Spacing 5.0 mm)

Poles	Width (mm)	Article Designation	Article Number	PU
3	15.00	STL955/3-5.0-OR-GREEN	50955035071D	50
4	20.00	STL955/4-5.0-OR-GREEN	50955045071D	50

Accessories

Figure	Designation	Article Number
	Coding star CS3-5.0/5.08-RED	50000000025

Ratings



Usegroup	B	C	D	
Rated Voltage	300 V	-	300 V	250 V
Rated Current	10 A	-	10 A	9 A
Overtoltage Category				III
Test Voltage	1.6 kV	-	1.6 kV	2.0 kV
Pollution Degree				3

* Approval Pending