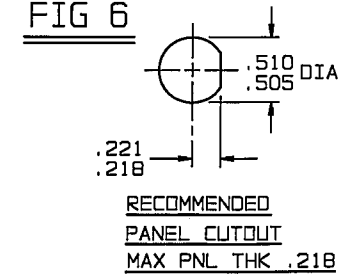
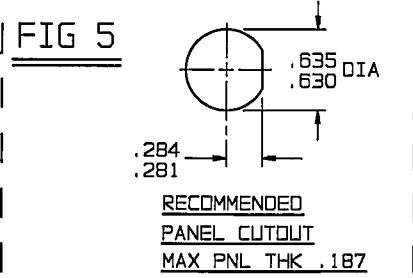
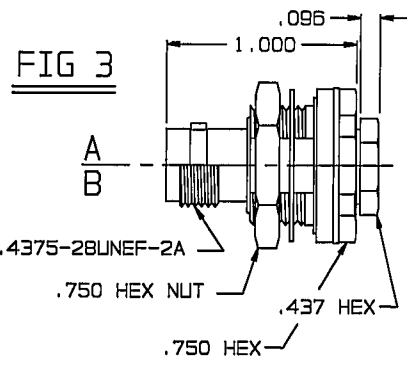
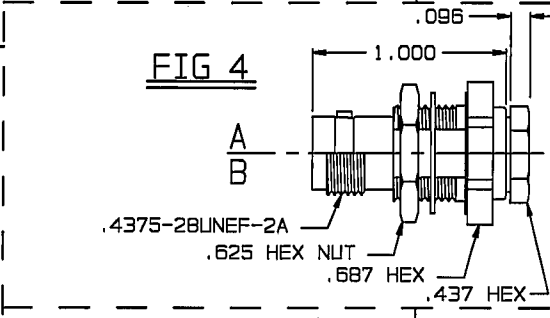
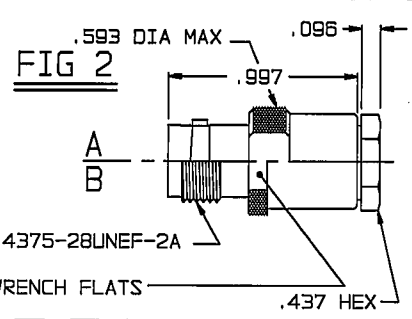
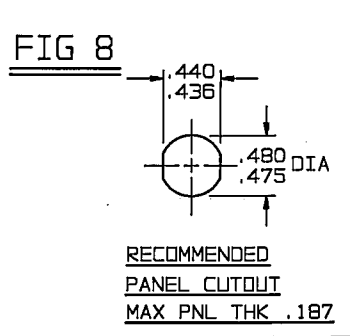
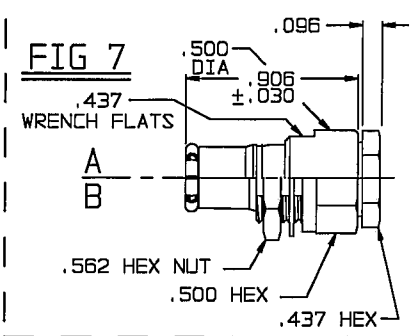
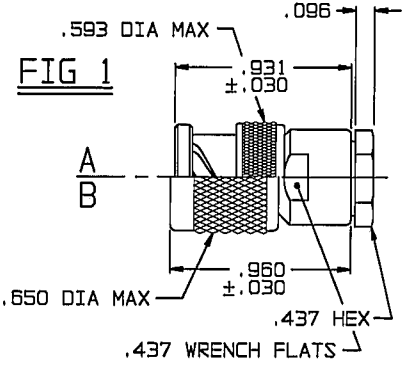


RED INDICATES ORIGINAL

DWG SIZE B	DATA CONTAINED IN THIS DOCUMENT IS PROPRIETARY TO TROMPETER ELECTRONICS INC. AND SHALL NOT BE DISCLOSED, COPIED OR USED FOR PROCUREMENT OR MANUFACTURE WITHOUT EXPRESS WRITTEN PERMISSION.				REVISIONS		105-1807		SH
	REV	ED	DESCRIPTION		DWN	APPROVED	DATE		
	A		PRODUCTION RELEASE		DKC				

DASH NO	CONN TYPE	MATERIAL	ASSEMBLE PER	FIG	MTG HOLE FIG
-1	PL20	1-0369-1	TAI-101	1A	---
-2	CJ20	1-0134-1		2A	---
-3	BJ26	1-0341-1		3A	5
-4	BJ29	1-0126-1		4A	6
-5	PL40	1-0014-1		1B	---
-6	CJ40	1-0135-1		2B	---
-7	BJ46	1-0448-1		3B	5
-8	BJ49	1-0173-1		4B	6
-9	UPL20	1-0369-U1		1A	---
-10	UCJ20	1-0134-U1		2A	---
-11	UBJ26	1-0341-U1		3A	5
-12	UBJ29	1-0126-U1		4A	6
-13	UPL40	1-0014-U1		1B	---
-14	UCJ40	1-0135-U1		2B	---
-15	UBJ46	1-0448-U1		3B	5
-16	UBJ49	1-0173-U1		4B	6
-17	PL123	1-0390-1		7A	---
-18	UPL123	1-0390-U1		7A	---
-19	PL122	1-0431-1		7B	8
-20	UPL122	1-0431-U1		7B	8



- REPLACE CLAMPNUT 8-1580-1 WITH CLAMP NUT 8-1580-33
3. 50 & 75 OHM COAXIAL BNC/TNC CABLE PLUGS/RECEPTACLE/INSULATED & NON-INSULATED BULKHEAD MOUNT RECEPTACLE/PUSH-ON & NON-INSULATED BULKHEAD MOUNT PUSH-ON PLUGS BELDEN CABLE NO. 83241
2. FINISH: TFS-1A (NICKEL)
1. ALL DIM ARE IN INCHES

QTY	DESCRIPTION		PART NUMBER	ITEM
TOL UNLESS SPECIFIED		TROMPETER ELECTRONICS, INC.	20 & 40 SERIES- 83241	
.XX ±	.XXX ± .005			
CHK	DKC	4-11-97	MATERIAL	CODE IDENT
ENGR	DKC	4-11-97	14949	DRAWING NO.
APPR	DKC	4/11/97	SCALE	DATE
NEXT ASSY		DATE	105-1807	REV
		DATE	4/11/97	A
		SHEET		