

Feature

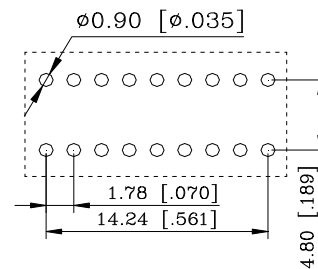
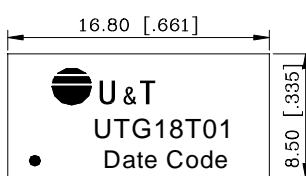
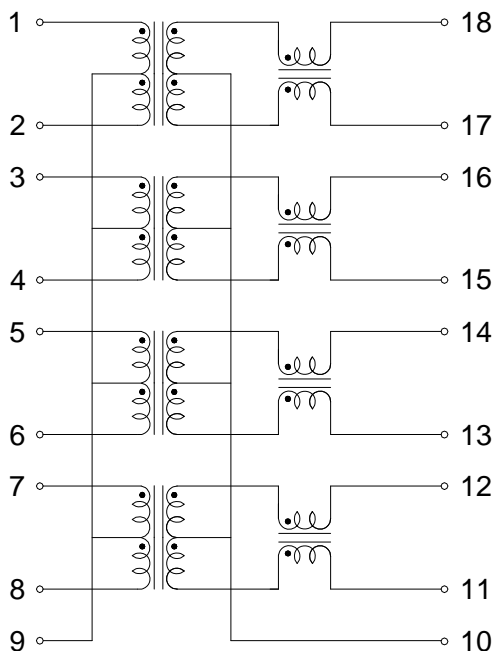
- Compliant with IEEE 802.3ab standard.
- Comply with RoHS requirements.
- Operating temperature range: 0°C to +70°C.
- Storage temperature range: -25°C to +105°C.

Electrical Specifications @ 25°C

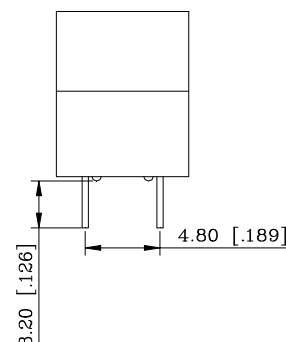
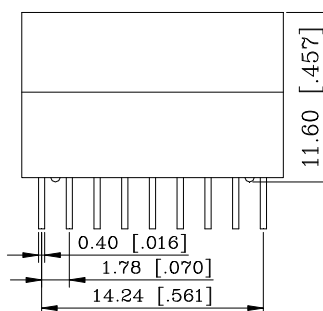
OCL:	350uH Min. @100KHz/0.1V with 8mA DC Bias		
Hi-Pot :	1500Vrms		
Turns Ratio:	1CT:1CT±3%		
LK:	0.5uH Max @100KHz/0.2V		
Cw/w	120PF Max @100KHz/0.2V		
D.C.R:	1.2 ohm Max		
Insertion Loss:	1-100MHz: -1.0dB Max		
Cross Talk :	1-100MHz: -30dB Min		
CMRR:	1-100MHz: -30dB Min		
Return Loss:	1-40MHz	40-80MHz	80-100MHz
	-16dB Min	-10+20log(f/80)dB Min	-10dB Min

Schematic

Mechanical



SUGGESTED PCB LAYOUT



1. Unit: mm[inch]

2. Unless otherwise specified, all tolerances are ±0.25[.01]