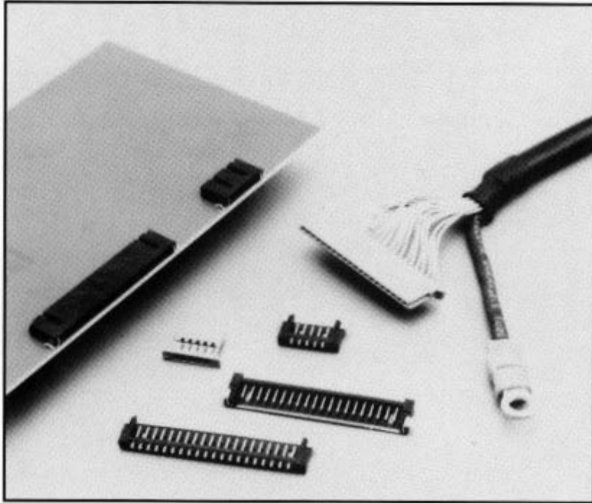


# LZ SERIES CONNECTORS

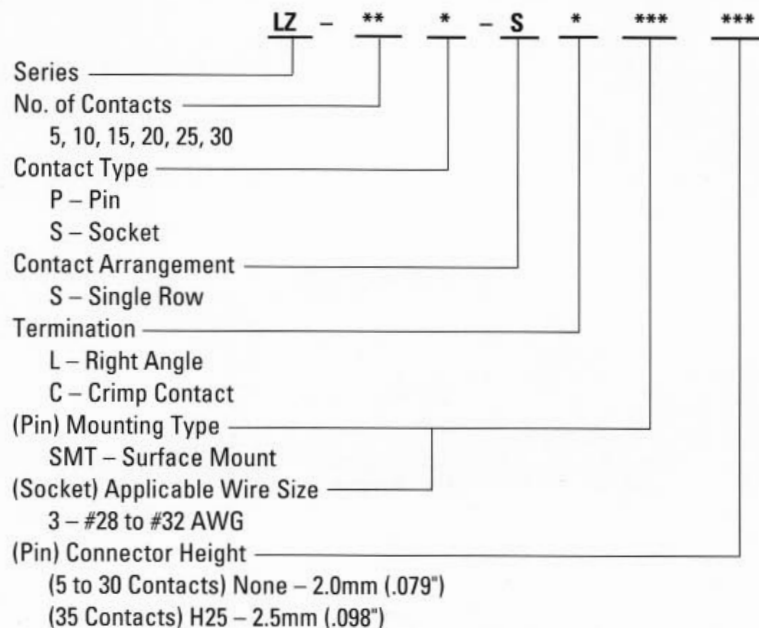
## 1.25mm (.049") Contact Spacing, PCB-to-Cable (Crimp Type) Connectors



### FEATURES

- Embossed tape for automated mounting process
- Polarizing key prevents mismatching
- Socket contacts on cable side are gold-plated
- Dual contact configuration provides reliable connection and low mating/unmating force
- Cable harnesses may be made to your specifications

### ORDERING INFORMATION



.....

Subminiature, low profile connectors with 1.25mm (.049") contact spacing and 2.0mm (.079") mounted height. SMT board mounting sides are supplied on embossed tape for automated mounting. Applications include PCB to cable and LCD interface.

### GENERAL SPECIFICATIONS

Number of Contacts	5, 10, 15, 20, 25, 30, 35
Contact Spacing	1.25mm (.049"), single row
Current Rating	1 Amp
Dielectric Withstanding Voltage	500 VAC r.m.s. (for one minute)
Insulation Resistance	100 megohms min.
Contact Resistance	20 milliohms max.
Operating Temperature Range	-40°C to +85°C
Applicable Wire	#28 to #32 AWG (stranded)

### MATERIALS AND FINISHES

Description	Materials/Finishes
Pin Contact	Copper Alloy: Connecting area/Gold plating over Nickel Terminal area/SnPb plating
Socket Contact	Phosphor Bronze/Gold plating over Nickel
Insulator	Pin Header: Glass-filled PPS (UL94V-0, Black) Socket Housing: Glass-filled 6-6 Nylon (UL94V-0, Brown)
Hold-down	Copper Alloy/SnPb plating over Nickel

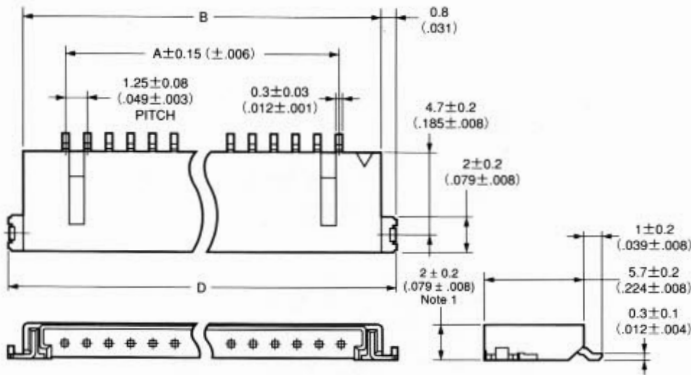
Dimensions and specifications subject to change without notice.



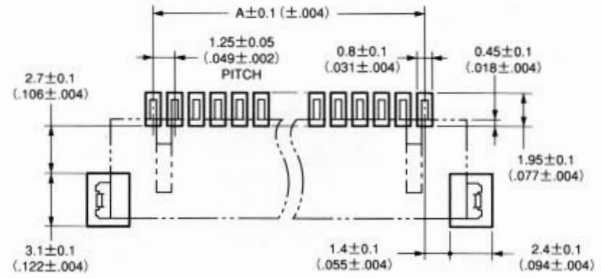
# LZ SERIES CONNECTORS

## 1.25mm (.049") Contact Spacing, PCB-to-Cable (Crimp Type) Connectors

### PIN HEADER

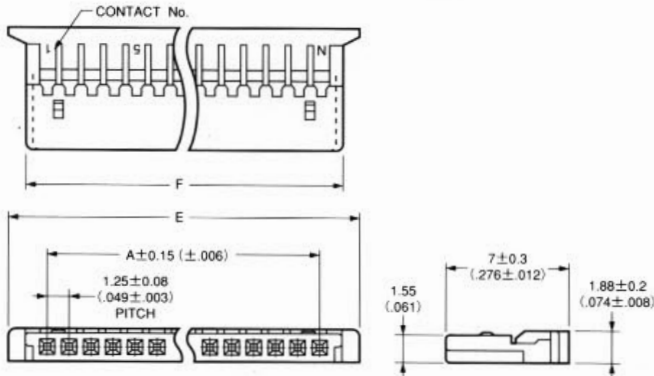


PCB Layout (Ref.)



Note 1: Connector height 2.5mm (.098") for 35 contacts.

### SOCKET HOUSING



### SOCKET CONTACT • CRIMP

**Part Number: LZ-SC-C3-A1-15000**

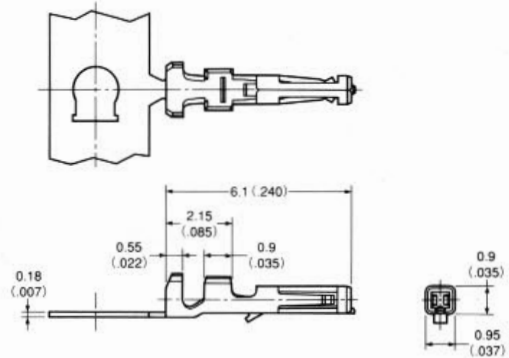
(Note: Supplied in reel magazine for semi-automatic crimping machine. Contacts 15000 pcs. per reel)

Applicable wire size: #28 to #32 AWG

Wire insulation outer dia.: 0.5mm to 0.9mm (.020" to .035")

Semi-automatic crimping machine: CT350-2-LZ

Hand crimping tool: CT150-4B-LZ



No. of Contacts	Part Number		A	B ± 0.3 ( .012)	D ± 0.4 ( .016)	E ± 0.3 ( .012)	F
	Pin Header (See Below)	Socket Housing					
5	LZ- 5P-SL-SMT-E3000	LZ- 5S-SC3	5.00 ( .197)	9.80 ( .386)	11.40 ( .449)	9.47 ( .373)	7.47 ( .294)
10	LZ-10P-SL-SMT-E3000	LZ- 10S-SC3	11.25 ( .443)	16.05 ( .632)	17.65 ( .695)	15.72 ( .619)	13.72 ( .540)
15	LZ-15P-SL-SMT-E3000	LZ- 15S-SC3	17.50 ( .689)	22.30 ( .878)	23.90 ( .941)	21.97 ( .865)	19.97 ( .786)
20	LZ-20P-SL-SMT-E3000	LZ- 20S-SC3	23.75 ( .935)	28.55 ( 1.124)	30.15 ( 1.187)	28.22 ( 1.111)	26.22 ( 1.032)
25	LZ-25P-SL-SMT-E3000	LZ- 25S-SC3	30.00 ( 1.181)	34.80 ( 1.370)	36.40 ( 1.433)	34.47 ( 1.357)	32.47 ( 1.278)
30	LZ-30P-SL-SMT-E3000	LZ- 30S-SC3	36.25 ( 1.427)	41.05 ( 1.616)	42.65 ( 1.679)	40.72 ( 1.603)	38.72 ( 1.524)
35	LZ-35P-SL-SMTH25-E3000	LZ- 35S-SC3	42.50 ( 1.673)	47.30 ( 1.862)	48.90 ( 1.925)	46.97 ( 1.849)	44.97 ( 1.770)

Note 1: Supplied in embossed-tape reels.

Suffix "-E3000" of the part number indicates that 3,000 pcs. of "LZ-\*P-SL-SMT" connectors are supplied per reel.

Please consult JAE for embossed tape specifications.

Dimensions in mm (inches).



Hong Kong  
Tel: 2723-7782  
Fax: 2723-9028

Japan  
03-3780-2715  
03-3780-2883

Korea  
2-551-8959  
2-551-8958

Philippines  
46-433-0276  
46-433-0287

Singapore  
748-1332  
748-2920

Taiwan  
02-555-9711  
02-556-5424

Europe  
1276-21717  
1276-66165

United States  
949-753-2600  
949-753-2699