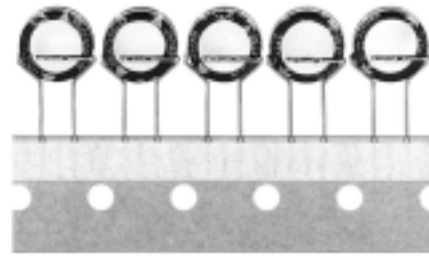


Gold Capacitor

Series: **ST**

Discontinued

Japan



■ Features

- Available for automatic insertion due to unique style
- Suitable for micro current consumption back-up such as in CMOS microcomputers and RAM

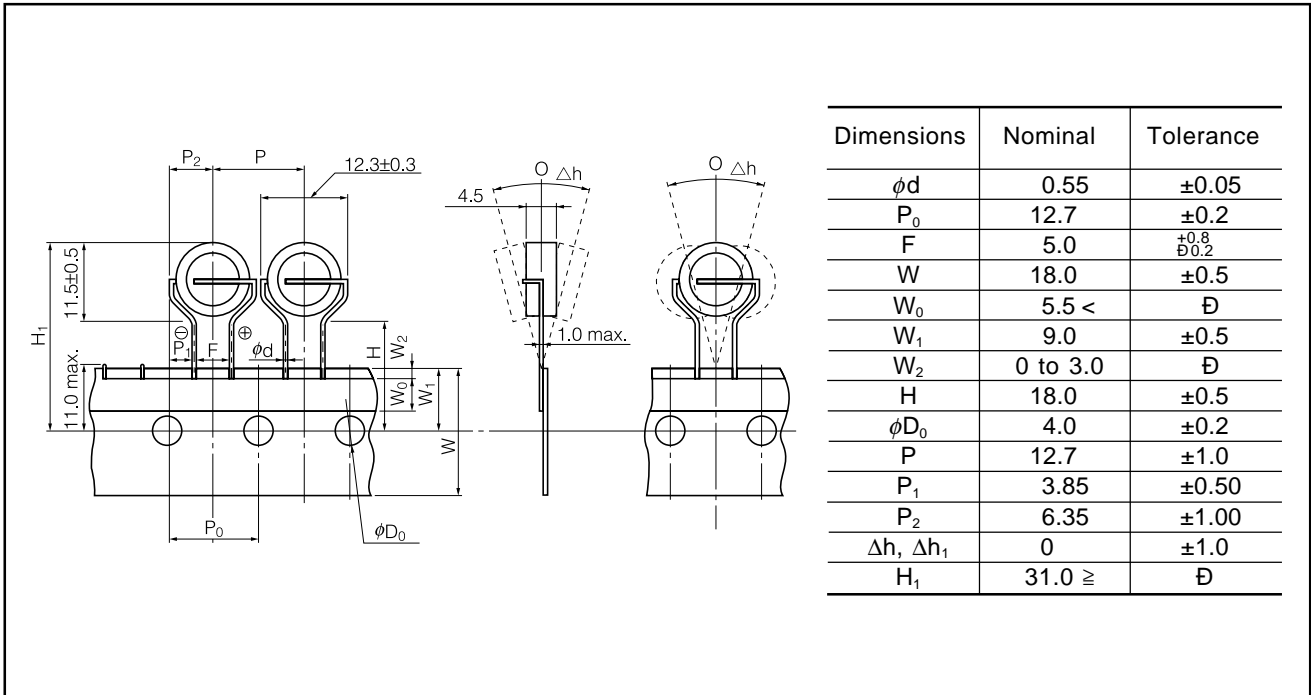
■ Specifications

Operating temp. range	-25 ~ +70°C	
Max. Operating Voltage	5.5 V.DC	
Nominal cap. range	0.10 ~ 0.22 F	
Characteristics at Low Temperature	Capacitance change	$\leq \pm 30\%$ of initial measured value at +20°C (-25°C to +70°C)
	Internal resistance	$\leq 5$ times of initial measured value at +20°C (at -25°C).
Endurance	After 1000 hours application of rated DC working voltage at +70°C, the capacitor shall meet the following limits.	
	Capacitance change	$\leq \pm 30\%$ of initial measured value
	Internal resistance	$\leq 4$ times of initial specified value.
Shelf Life	After 1000 hours storage at +70°C without load, the capacitor shall meet the specified limits for "Endurance".	
Moisture Resistance	After 500 hours storage at +55°C, 90 to 95 %R.H., the capacitor shall meet the specified limits for "Endurance".	

Design, Specifications are subject to change without notice. Ask factory for technical specifications before purchase and/or use. Whenever a doubt about safety arises from this product, please inform us immediately for technical consultation without fail.

Discontinued

■ Dimensions in mm (not to scale)



■ Standard products

Max. Operating Voltage (V. DC)	Capacitance (F)	Part Number	Capacitance range (F)	Internal resistance ( $\Omega$ ) at 1 kHz	Packing quantity
5.5	0.10	EECS5R5T104	0.080 ~ 0.180	$\leq 75$	1000 pcs.
	0.22	EECS5R5T224	0.176 ~ 0.396	$\leq 75$	1000 pcs.

- Note: 1. Please place an order by package.  
 2. Set the temperature of the capacitor's surface 100°C or under and the time less than 60 seconds. (max. temperature less than 105°C) When the surface mount components go through the UV or Heat oven to fix the adhesive glue.  
 3. It is not allowed to go through reflow (IR, Atmosphere heating methods etc.) process.

## ⚠ Application Guidelines

### 1. Circuit Design

Ensure that operational and mounting conditions follow the specified conditions detailed in the catalog and specification sheets.

#### 1.1 Lifetime

Gold Capacitors have a longer lifetime than do secondary batteries, but their life is still limited. During use, capacitance decreases and internal resistance rises. The lifetime of a Gold Capacitor is greatly affected by ambient temperature, applied voltage and operating current. By reducing these factors as much as possible, capacitor lifetime can be lengthened.

#### 1.2 Voltage

If a Gold Capacitor is used at a voltage exceeding its rated voltage, not only is its lifetime shortened, but depending on the actual voltage, gas generated by electrochemical reactions inside the capacitor may cause it to leak or rupture.

#### 1.3 Polarity

Be sure to verify the polarity of the capacitor before use. If a reverse voltage is applied for a long time, capacitor lifetime is shortened and serious damage such as electrolyte leakage may occur.

Furthermore, there may be leftover electric charge from capacitor testing that could damage other circuit components such as the low-withstanding voltage parts of semiconductors, etc.

#### 1.4 Ambient Temperature

(1) Capacitor life is affected by operating temperature.

In general, lowering ambient temperature by 10°C will double the life of a capacitor. Use the capacitor at the lowest possible temperature under the maximum guaranteed temperature.

(2) Operation above the maximum specified temperature not only shortens capacitor life, but can also cause serious damage such as electrolyte leakage.

Verify the operating temperature of the capacitor by taking into consideration not only the ambient temperature and temperature inside the unit, but also the radiation from heat generating elements inside the unit (power transistors, IC's, resistors, etc.) and self-heating due to ripple current.

Be careful not to place heat-generating elements across from the capacitor on the opposite side of the PCB.

### 1.5 Characteristics of constant current and constant resistance discharging

The time required for the constant current and constant resistance discharging are respectively represented by the equation (1) and (2) below:

Discharging time (t) of constant current discharge

$$t = C \times (V_0 - V_1) / I \dots (1)$$

Discharging time (t) of constant resistance discharge

$$t = -CR \ln(V_1 / V_0) \dots (2)$$

t = charging time (s)

V<sub>0</sub> = initial voltage (v)

V<sub>1</sub> = terminal voltage (v)

I = current during back-up (A)

The above equations may not always be accurate, as the terminal down voltage must be considered after the start of discharge if load resistance or load current is present.

#### Back-up characteristics for IC

Also, if the capacitor is used to back-up and IC, the V-I characteristics of the IC must also be considered. It can therefore be said that if the voltage is low, the current is also low and the actual back-up time will be longer than that calculated. To be certain that if the capacitor selected is of sufficient value to maintain the necessary energy and time, it should be checked and measured under actual operating conditions.

### 1.6 Voltage Drop During Backup Operation

Take careful notice of the voltage drop caused by the instantaneous operating current and the internal resistance of the Gold Capacitor during the switch from power-failure-detection to backup mode. Because internal resistance varies by product, use the following table to decide the correct operating (discharge) current.

Series	Operating current				
	0.047 F or less	0.1 to 0.33 F	0.47 to 1.5 F	3.3 to 4.7 F	10F to
SG,SD,SE,NF	200 μA or less	300 μA or less	1 mA or less	—	—
F	200 μA or less	300 μA or less	300 μA or less	—	—
EL	—	300 μA or less	1 mA or less	—	—
AL,HW	—	—	100 mA or less	300 mA or less	1 A or less

Design, Specifications are subject to change without notice. Ask factory for technical specifications before purchase and/or use. Whenever a doubt about safety arises from this product, please inform us immediately for technical consultation without fail.

## 1.7 Ripple Current

Gold Capacitors have a higher internal resistance than do electrolytic capacitors and are more susceptible to internal heat generation when exposed to ripple current. When the temperature of the element rises, a reaction current flows inside the Gold Capacitor, generating reaction products and raising internal resistance even further. This makes it difficult to maintain capacitance. Set the allowable limit for the ripple current-induced rise in capacitor temperature to 3°C measured at the surface of the capacitor.

## 1.8 Connecting Capacitors in Series

Taking into consideration the possibility of an imbalance in the voltages across the capacitors, make sure that the voltage applied to each capacitor will not exceed the Maximum operating voltage. If the voltage balance breaks down, an overvoltage condition could result.

To prevent this from occurring, add a voltage-dividing resistor in parallel with each capacitor, allowing for the capacitor's leakage current.

Always consider safety when designing equipment and circuits. Plan for worst case failure modes such as short circuits and open circuits which could occur during use.

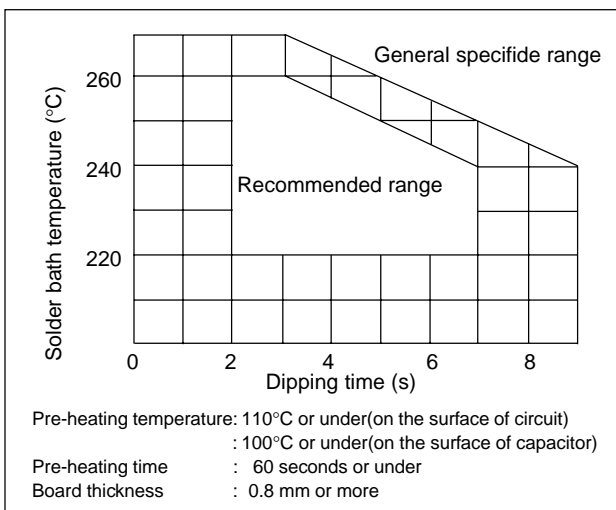
- (1) Provide protection circuits and protection devices to allow safe failure modes.
- (2) Design redundant or secondary circuits where possible to assure continued operation in case of main circuit failure.

## 2. Mounting Considerations

### 2.1 Heat Stress During Soldering

Excessive heat stress may result in the deterioration of the electrical characteristics of the capacitor, loss of air-tightness, and electrolyte leakage due to the rise in internal pressure.

- (1) If the tip of the soldering iron touches the capacitor's external sleeve, the sleeve will melt or break.
- (2) Use the general reference chart below to set soldering temperature and time.



- (3) When soldering with a soldering iron, do not touch the tip to the body of the capacitor. Minimize the time that the soldering iron is in contact with the capacitor terminals.
- (4) When using equipment such as a UV curing oven for pre-heating and adhesive hardening, set the temperature of the capacitor's surface 100°C or under and the time less than 60 seconds. (maximum temperature less than 105°C)
- (5) Never perform reflow soldering on gold capacitors using infrared heating or atmospheric heating methods.

### 2.2 Circuit Board Patterns Under the Capacitor

Avoid circuit board runs under the capacitor as electrolyte leakage could cause an electrical short.

### 2.3 Elevate the Gold Capacitor Above the PCB for Mounting

If the capacitor is soldered directly to a double-sided PCB, a short circuit may occur between the capacitor body and the wiring pattern. In the case of a through-hole board, flux or solder blowing out of the holes can shrink or break the external sleeve and possibly cause internal damage to the capacitor.

### 2.4 Circuit Board Cleaning

Circuit boards can be immersed or ultrasonically cleaned using suitable cleaning solvents for up to 5 minutes and up to 60°C maximum temperatures.

The boards should be thoroughly rinsed and dried.

(Recommended cleaning solvent include)

Pine Alpha ST-100S, Sunelec B-12, DK beclear CW-5790, Aqua Cleaner 210EP, Cold Cleaner P3-375, Telpen Cleaner EC-7R, Clean-thru 750H, Clean-thru 750L, Clean-thru 710M, Techno Cleaner 219, Techno Care FRW-17, Techno Care FRW-1, Techno Care FRV-1, IPA (isopropyl alcohol)

※ Consult with us if you are using a solvent other than any of those listed above.

※ The use of ozone depleting cleaning agents are not recommended in the interest of protecting the environment.

## 3. Precautions for using capacitors

Do not use or store the unit containing the capacitor in any of the following environments.

- (1) Environment where the capacitor is subject to direct contact with water, salt water or oil.
- (2) Environment where capacitors are exposed to direct sunlight.
- (3) High temperature, humid environment where water vapor is condensing on the capacitor surface.
- (4) Environment where the capacitor is in contact with chemically active gases.
- (5) Acid or alkaline environment.
- (6) Environment subject to excessive vibration and shock.

Design, Specifications are subject to change without notice. Ask factory for technical specifications before purchase and/or use. Whenever a doubt about safety arises from this product, please inform us immediately for technical consultation without fail.

### 4. Emergency Procedures

If the capacitor overheats or starts to smell, immediately switch off the units main power supply to stop operation. Keep your face and hands away from the capacitor, since the temperature may be high enough to cause the capacitor to ignite and burn.

### 5. Long Term Storage

Do store capacitors under any of the environmental conditions listed below:

- (1) At high temperature and high humidity.
- (2) Where the capacitor is subject to direct contact with water, salt water or oil.
- (3) Where the capacitor is exposed to direct sunlight or to toxic gases.
- (4) Where there is a lot of dust in the air.

### 6. Capacitor Disposal

When disposing of capacitors, follow the instructions below:

- (1) Crush or make a hole in the capacitor before burning. If the capacitor is burned "as is," it can explode. If taking apart the capacitor before disposal, wear protective gear such as gloves and goggles.
- (2) Because of the capacitor's plastic (polyvinyl chloride) sleeve, burn at high temperature. Low temperature burning will result in the production of toxic gases such as chlorine.
- (3) If you choose not to burn used capacitors, consign them to a specialized industrial waste processor for disposal.

The application guidelines above are take from:

Technical Report EIAJ RCR-2370 issued by the Japan Electronic Industry Association, Inc.  
Guideline of notabilia for fixed electric double layer capacitors with non-solid electrolyte for use in electronic equipment.

Refer to this Technical Report for additional details.