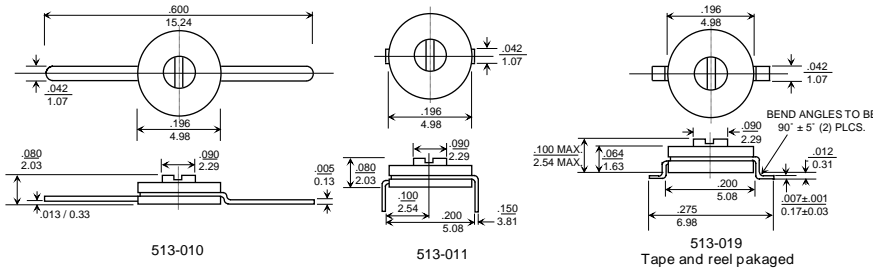


Variable Trimmer Capacitors

Sub-Miniature Trimmer Capacitors

www.tusonix.com Download Catalog 500 (.pdf format)



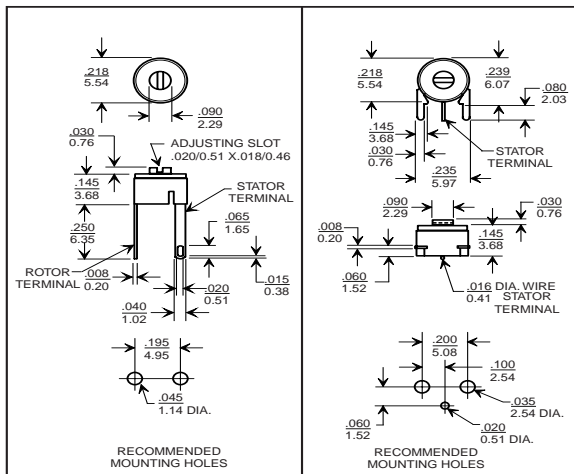
Reference Sample Kit # SK0500-900

513 Series Trimmer			513 Series Trimmer (Continued)		
Dielectric Type Code	Capacitance Range (pF)	WVDC @ 85°C	Dielectric Type Code	Capacitance Range (pF)	WVDC @ 85°C
A	1.0-2.5	100	A	4.5-14.0	100
A	1.5-3.0	100	A	3.5-20.0	100
A	1.0-5.0	100	A	5.0-30.0	100
A	2.0-5.0	100	A	6.0-35.0	100
A	2.5-9.0	100	G	6.0-20.0	50
A	2.0-10.0	100	G	7.0-40.0	50

Specify Trimmer Series followed by the three-digit Terminal Variation you select from the appropriate drawing. Then list the Dielectric type code from the corresponding table and the desired Capacitance Range. **Example: 513-010 A 1-5**

Miniature Trimmer Capacitors

www.tusonix.com Download Catalog 500 (.pdf format)



518-000 and 528-000

518-002 and 528-002

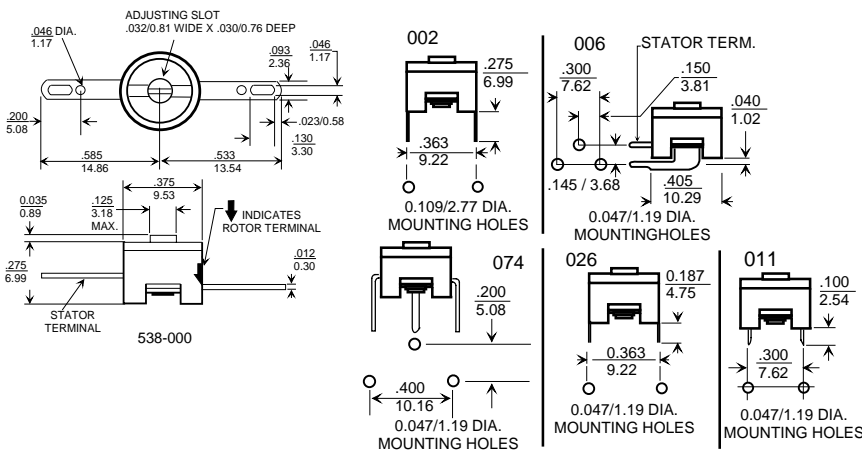
TUSONIX Part Number	MIL C-81 Designation Mil CV35 TUSONIX Style 518-016	Type Code	Cap. (pF)	TUSONIX Part Number	MIL C-81 Designation Mil CV36 TUSONIX Style 518-017	Type Code	Cap. (pF)
518 Series Trimmer							
518-000	CV35A030	A	1.0-3	518-002	CV36A030	A	1.25-3
518-000	CV35A090	A	2.5-9	518-002	CV36A090	A	2.5-9
518-000	CV35A150	A	5.0-15	518-002	CV36A150	A	5.0-15

Part No.	Dielectric Type Code	Cap. (pF)
528 Series Trimmer		
528-000	A	1-3
528-000	A	3-8
528-000	C	3.5-10
528-002	A	1.25-3
528-002	A	3-8
528-002	C	3.5-10



Miniature Trimmer Capacitors

www.tusonix.com Download Catalog 500 (.pdf format)



MIL C-81 Designation Mil CV31 TUSONIX Style 538-054	MIL C-81 Designation Mil CV32 TUSONIX Style 538-067	Dielectric Type Code	Capacitance Range (pF)
538 Series Trimmer			
CV31A080	CV32A080	A	2.0 - 8
--	--	A	3.0 - 10
CV31D150	CV32D150	D	3.0 - 15
CV31A180	CV32A180	A	5.5 - 18
--	--	D	5.5 - 25
CV31C250	CV32C250	C	8.0 - 25
CV31E600	CV32E600	F	15.0 - 60

Reference Sample Kit # SK0500-900