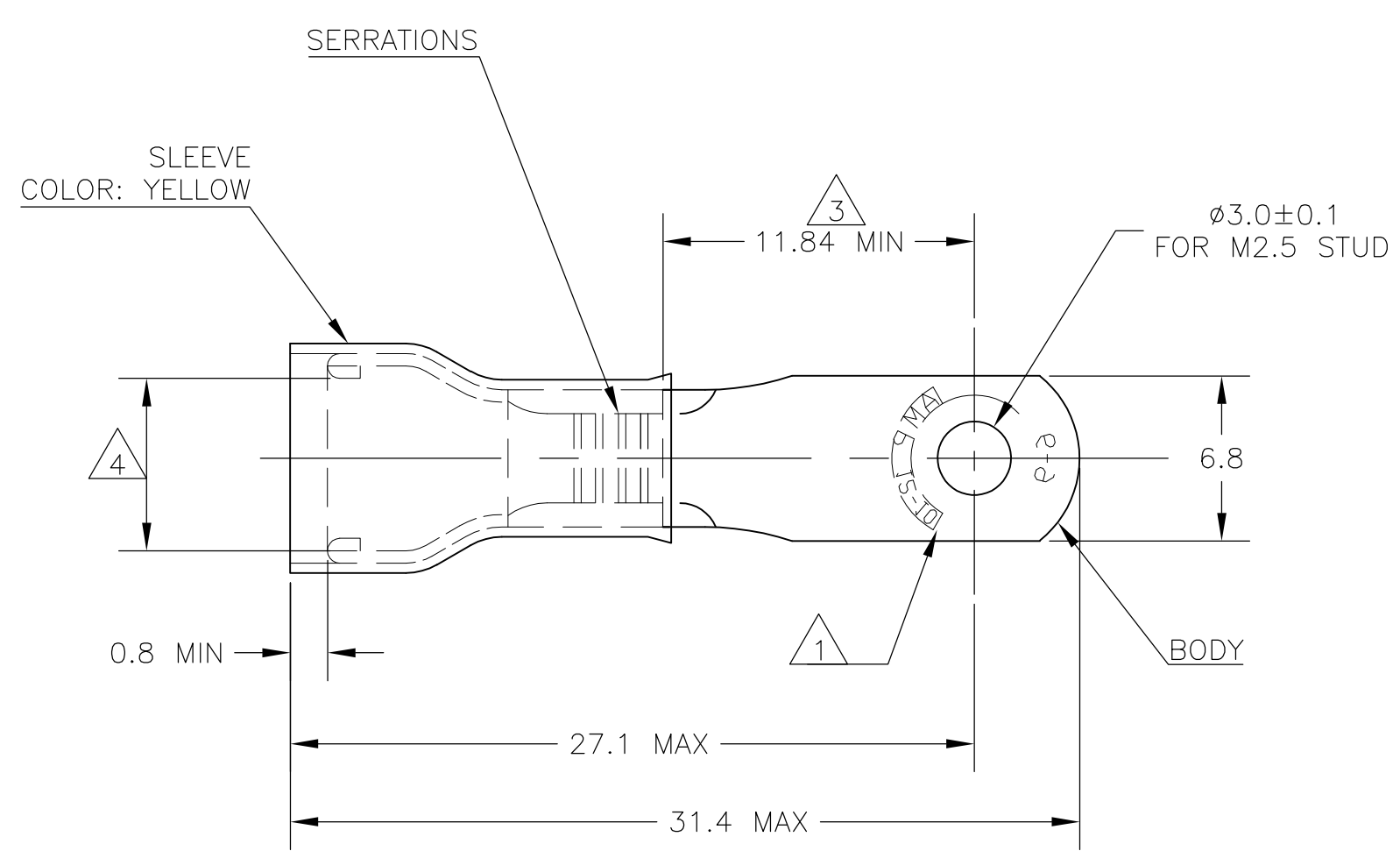


THIS DRAWING IS UNPUBLISHED. RELEASED FOR PUBLICATION
 © COPYRIGHT - By - ALL RIGHTS RESERVED.

LOC	DIST	REVISIONS			
P	LTR	DESCRIPTION	DATE	DWN	APVD
G	14	C2	REVISED PER ECO-14-012226	11AUG2014	NK DR



- 1 STAMP "AMP 12-10*", LOCATION APPROX AS SHOWN.
- 2 TONGUE THICKNESS IS 1.0±0.05.
- 3 APPLIES TO EDGE OF METAL WIRE BARREL TO CENTER OF STUD HOLE.
- 4 WIRE INSULATION DIA RANGE 3.8-6.4
- 5 BODY - COPPER PER ASTM B-152 SLEEVE - COPPER PER ASTM B-152 INSULATION - NYLON.
- 6 BODY - TIN PL PER ASTM B-545 SLEEVE - TIN PL PER ASTM B-545 INSULATION - COLOR - YELLOW.
- 7 105°C MAX OPERATING TEMPERATURE.
- 8 300 VOLT MAX.
- 9 2.62-6.64mm² [5,180 - 13,100 CMA] SOLID OR STRANDED.

500	LOOSE PIECE	130481
QTY	PACKAGE TYPE	PART NO

THIS DRAWING IS A CONTROLLED DOCUMENT.		DWN JR RUTH 11APR07	TE Connectivity													
DIMENSIONS: mm		CHK T MICHIELUTTI 11APR07														
TOLERANCES UNLESS OTHERWISE SPECIFIED:		APVD T MICHIELUTTI 11APR07														
<table border="1"> <tr><td>0 PLC</td><td>± -</td></tr> <tr><td>1 PLC</td><td>± 0.2</td></tr> <tr><td>2 PLC</td><td>± -</td></tr> <tr><td>3 PLC</td><td>± -</td></tr> <tr><td>4 PLC</td><td>± -</td></tr> <tr><td>ANGLES</td><td>± 5°</td></tr> </table>		0 PLC	± -	1 PLC	± 0.2	2 PLC	± -	3 PLC	± -	4 PLC	± -	ANGLES	± 5°	PRODUCT SPEC -	NAME	
0 PLC	± -															
1 PLC	± 0.2															
2 PLC	± -															
3 PLC	± -															
4 PLC	± -															
ANGLES	± 5°															
MATERIAL 5		FINISH 6	TERMINAL RING TONGUE, PIDG, WIRE SIZE 12-10													
WEIGHT -		SIZE A3	CAGE CODE 00779	DRAWING NO C-130481												
CUSTOMER DRAWING			RESTRICTED TO -	SCALE 4:1 SHEET 1 OF 1 REV C2												