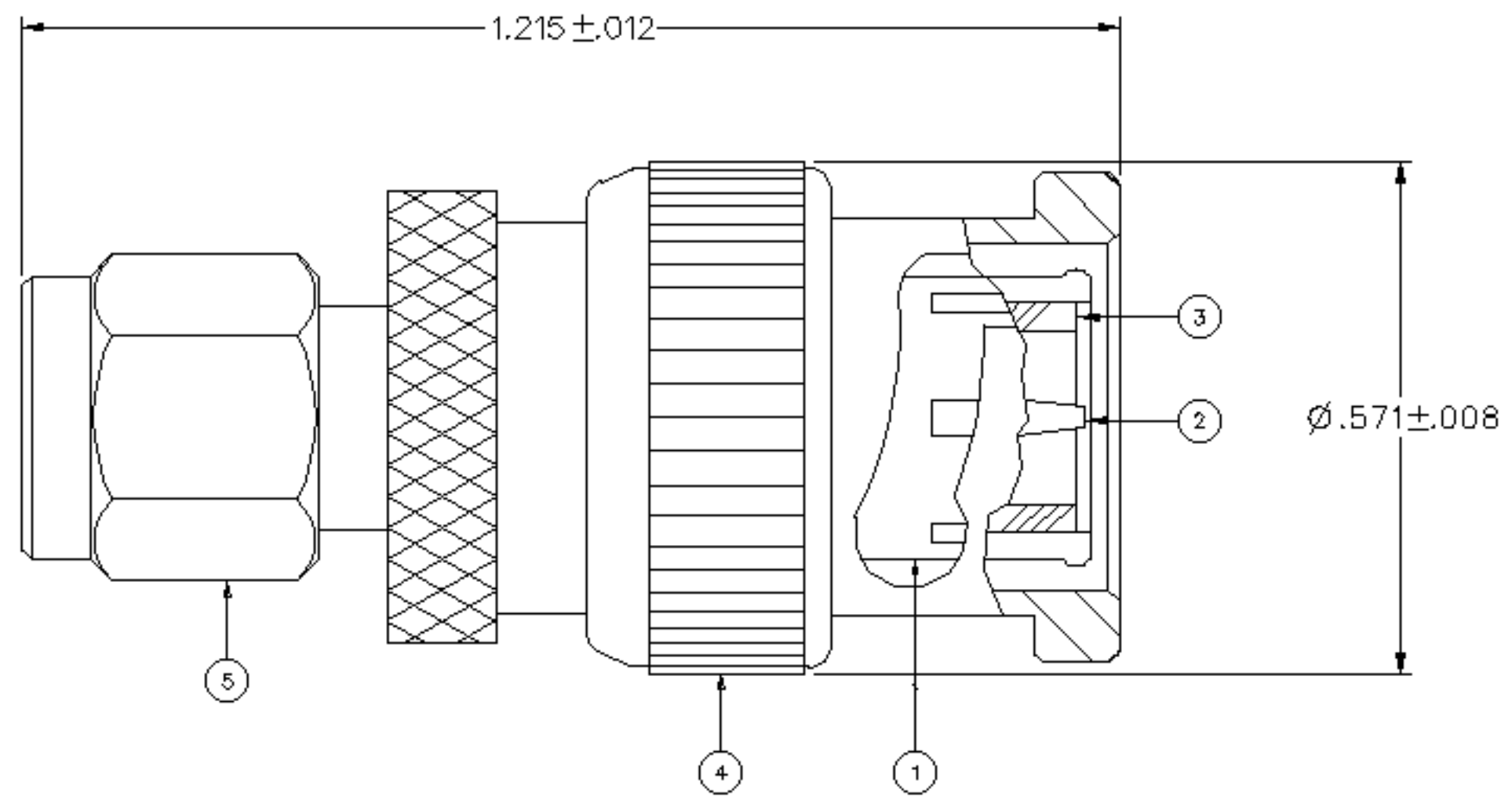


PART NUMBER	ITEM ① BODY	ITEM ② CONTACT	ITEM ③ INSULATOR	ITEM ④ BNC COUPLING NUT	ITEM ⑤ SMA COUPLING NUT
CP-AD-582	BRASS NICKEL PL	BERYLLIUM COPPER GOLD PL	DELTRIN	BRASS NICKEL PL	BRASS NICKEL PL

DRAWING NO. A-CP-AD-582	
0	REVISIONS
ENGINEERING RELEASE	
1	X-XX-XX ECN XXXXX



NOTES:

1. SPECIFICATIONS:

IMPEDANCE: 50 OHMS
 FREQUENCY RANGE: 0-4 GHZ
 VSWR: 1.05+.1F (F IN GHZ)
 WORKING VOLTAGE: 500 VRMS MAX AT SEA LEVEL
 DIELECTRIC WITHSTANDING VOLTAGE: 1500 VRMS MIN AT SEA LEVEL
 INSULATION RESISTANCE: 5000 MEGOHM MIN
 CONTACT RESISTANCE:
 CENTER CONTACT - 2.1 MILLIOHM MAX
 OUTER CONDUCTOR - .2 MILLIOHM MAX
 INSERTION LOSS: .20 DB MAX AT 3 GHZ

MECHANICAL:

MATING TORQUE (SMA): 7-10 INCH-POUNDS
 FORCE TO ENGAGE/DISENGAGE (BNC): 5 POUNDS MAXIMUM
 DURABILITY: 500 CYCLES MIN

ENVIRONMENTAL:

OPERATING TEMPERATURE: -55 DEG C TO 85 DEG C

CUSTOMER DRAWING

THIS DRAWING TO BE INTERPRETED PER ANSI Y 14.5M - 1982

"&STATION"

COMPANY CONFIDENTIAL

TOLERANCE UNLESS OTHERWISE SPECIFIED		DRAWN BY RJB	DATE 6-12-02	299 Johnson Ave. P.O. Box 1732 Waseca, MN 56093-0832
DECIMALS	mm	CHECKED BY	DATE	
.XX		APPROVED BY	DATE	TITLE ASSEMBLY, ADAPTER, BNC PLUG TO SMA PLUG
.XXX		APPROVED BY	DATE	
WATL		APPROVED BY	DATE	CODE NO.
FINISH		RELEASE DATE		DRAWING NO. A-CP-AD-582
				SCALE 4:1 U/M INCH SHEET 2 OF 2