

Features

- Lead free versions available
- RoHS compliant (lead free version)*
- Compliant with IEEE802.3ab Draft Standards for 1000 Base-T
- Designed for Long Haul Gigabit Ethernet 10/100/1000 Base-T Full Duplex applications

- Low profile surface mount packaging designed for reflow process (225 ° peak)
- Supports 4 pairs of Category 5 UTP cables

Applications

- LAN
- Ethernet

PT61024 LAN 10/100/1000 Base-T Transformer Modules

Electrical Specifications @ 25 °C

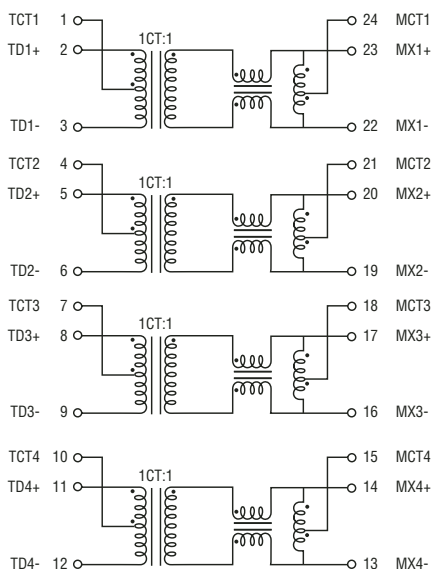
Inductance	350 μH min.
with 8 mA DC bias @ 100 KHz, 0.2 V	
Leakage Inductance.....	0.50 μH max.
@ 100 KHz, 0.2 V	
Interwinding Capacitance	25 pF typ.
@ 100 KHz, 0.2 V	
DC Resistance	0.90 Ω max.
Insertion Loss	0.3-100 MHz
	-1.1 dB max.
Return Loss (dB min.)	
0.3-30 MHz.....	-18
40 MHz	-14.4
50 MHz	-13.1
60-80 MHz	-12
Cross Talk (dB min.)	
0.3-30 MHz.....	-35
60-100 MHz	-28
Common Mode Rejection (dB min.)	
0.3-30 MHz.....	-40
60 MHz	-35
80-100 MHz	-30
Turns Ratio	1 CT:1±5 %
Isolation Hi-Pot.....	1500 VAC 1 mA 1 sec.
Operating Temperature	
.....	0 °C to +70 °C

Available in extended temperature version (-40 °C to +85 °C). See PT61020.

Packaging Specifications

Tube28 pieces/tube

Electrical Schematic



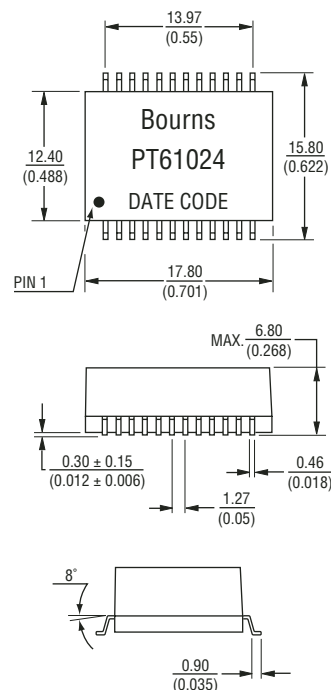
How to Order

Model PT61024

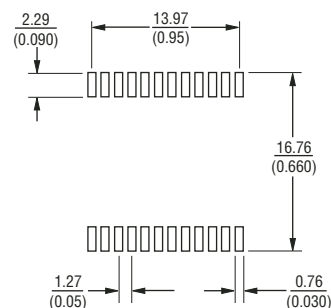
Termination _____

Blank = Tin-lead
L = Tin only (lead free)

Product Dimensions



Recommended Layout



DIMENSIONS: $\frac{\text{MM}}{\text{(INCHES)}}$

TOLERANCES: ± $\frac{0.25}{(0.010)}$



Reliable Electronic Solutions

Asia-Pacific:

TEL +886-2 25624117 • FAX +886-2 25624116

Europe:

TEL +41-41 7685555 • FAX +41-41 7685510

The Americas:

TEL +1-951 781-5500 • FAX +1-951 781-5700

www.bourns.com