

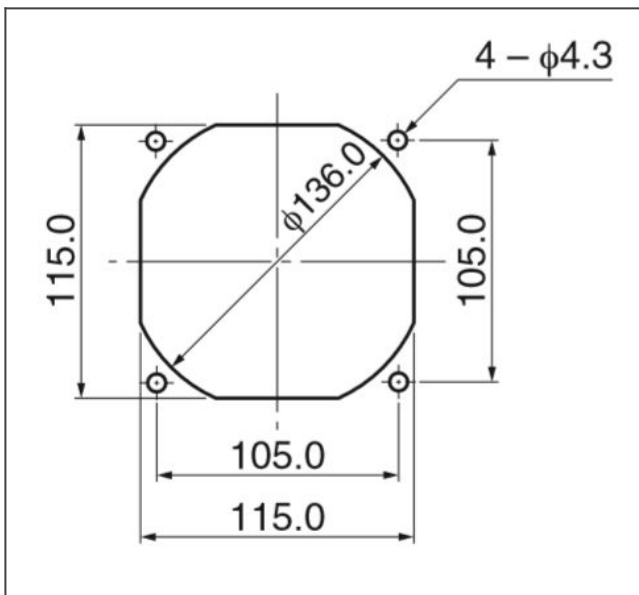
## General Specifications

Motor Structure: Shaded Pole Induction Motor  
 Motor Protection: Impedance Protection  
 Insulation Resistance: 100M Ohm or over with DC500V Megger  
 Dielectric Withstand Voltage: AC 1800V 3s  
 Allowable Ambient Temperature Range:  
 -10 degree C ~ +70 degree C (Operating)  
 -40 degree C ~ +70degree C (Storage)  
 (non-condensing environment)

**order part 11925PB-A0L-EA-00\_50Hz Ball Bearing Fan AC Axial Fans**



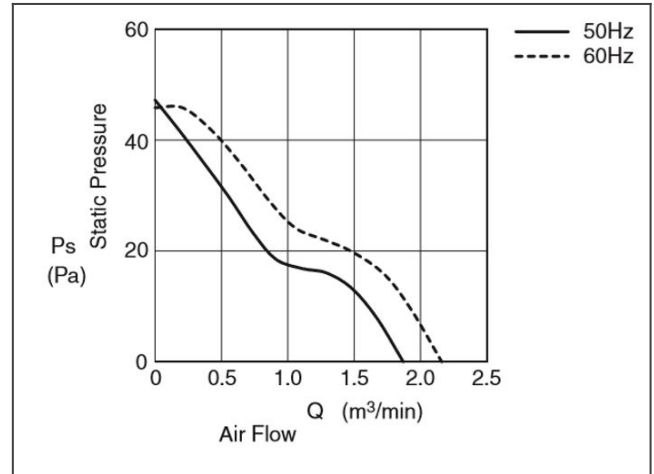
**11925PB panel cut out**



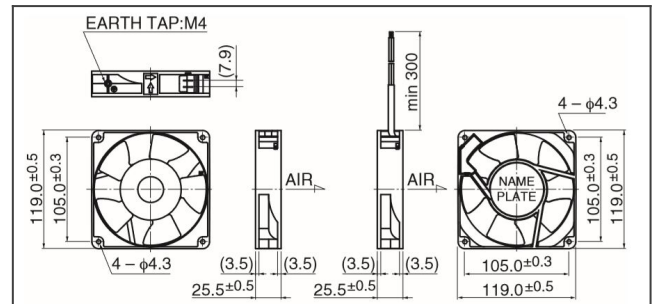
## Material

Casing: Aluminum Black Painting  
 Impeller: Plastic (Black) UL94V-0  
 Lead Wire or Terminal: UL3266, AWG22 / Faston #110 or equivalent

### 11925PB characteristics curve



### 11925PB product drawing



## Detailed Specifications

<b>Expected Life:</b>	*Failure rate 10% 25deg.C 100,000 hours
<b>Nominal Voltage:</b>	100[V]
<b>Frequency:</b>	50[Hz]
<b>Starting Voltage:</b>	65[V]
<b>Industry:</b>	Food Processing
<b>AC Fans:</b>	Ball Bearing Fan
<b>Current:</b>	0.22[A]
<b>Input Power (+10% - 20%):</b>	14[V]
<b>Speed:</b>	2300[ $\text{min}^{-1}$ ]
<b>Max. Air Flow:</b>	1.8[ $\text{m}^3/\text{min}$ ]
<b>Max. Air Flow:</b>	64.3[CFM]
<b>Max. Static Pressure:</b>	41.2[Pa]
<b>Max. Static Pressure:</b>	0.16[In H <sub>2</sub> O]
<b>Noise:</b>	34[dB]
<b>Fan Size:</b>	119[mm]
<b>Fan Width:</b>	25[mm]
<b>Mass:</b>	360[g]