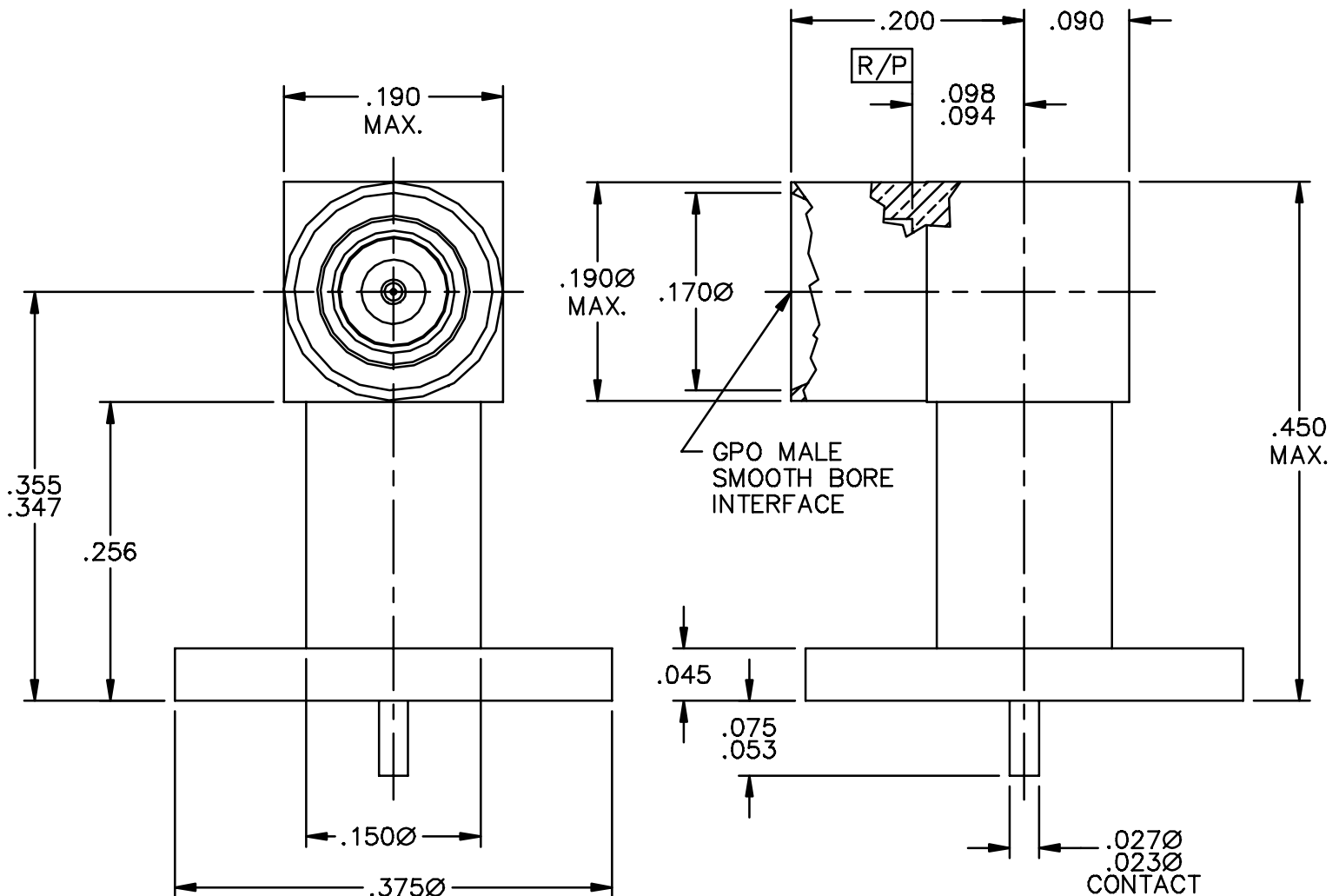
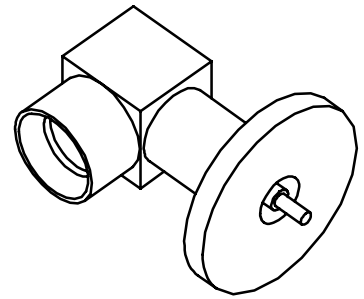


CATALOG NUMBER

0119-588-1

MATERIAL AND FINISH

INTERFACE RING: CRES 303; PASSIVATED
 HOUSING AND CENTER CONTACTS: BeCu; GOLD PLATE 50-100 μ INCHES
 OVER NICKEL PLATE 50 μ INCHES MIN.
 DIELECTRICS: VIRGIN PTFE (TEFLON)



GPO MALE SMOOTH BORE
 R/A TO P.C.B.

IDENT CODE:
 82316

REVISION: D

**GILBERT
 ENGINEERING**

SOURCE FILE: MECR# 906

DWG. NO.: OL-0119-588-1

ASSY. PROC.: -