

Filter Guards

Nidec offers a unique fan filter and guard package consisting of a guard, filter media and media retainer. The package is used in conditions requiring removal of dust and other contaminating particles. The guards, the filters and the retainers are manufactured with UL-listed 94V-0 materials.

Easy maintenance is a major feature of the filter-guard package. There is no need to remove the guard portion, or the fan, in order to

clean or to replace the filter media: Simply detach the retainer.

Because the guard is still attached to the fan, protection from the fan blade is unaffected. Because the fan stays in place, there is no risk of damage to equipment.

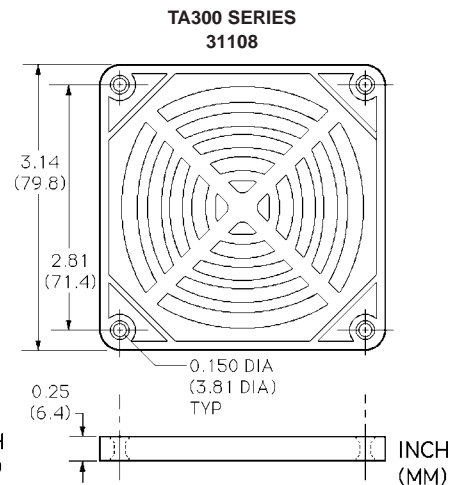
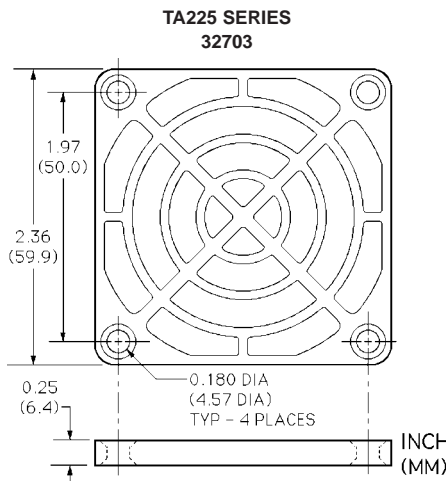
Four mounting screws secure the guard portion of the package to the fan. The filter media and the retainer snap on to the guard without requiring extra hardware.



- ▶ UL-Listed 94V-0 Material
- ▶ Meets UL 0.25-Inch Plug Gage Test
- ▶ Countersunk Mounting Holes
- ▶ Withstands High Impact
- ▶ Polyurethane Foam Filter Media for Free Passage of Air with Minimum Resistance and Air Pressure Drop
- ▶ Reduces External Fan Noise
- ▶ Media Easily Cleaned by Vacuuming or by Washing with Most Soaps, Detergents or Cleaning Solvents
- ▶ Guards and Retainers Designed for Minimal Air Resistance
- ▶ 30 PPI and 45 PPI Filter Media Offer Wide Range of Particle Filtration
- ▶ Other Filter Material Available on Request

Nidec Fan Series	Part Number	Description	Height (Inches)	Width (Inches)	Thickness (Inches)	Mounting Center (Inches)	Filter Media (PPI*)
TA225	32703-1	Guard Only	2.36	2.36	0.25	1.97	—
	32703-2	Guard, Filter, Retainer	2.36	2.36	0.25	1.97	30
	32703-3	Guard, Filter, Retainer	2.36	2.36	0.25	1.97	45
TA300	31108	Guard & Filter	3.14	3.14	0.25	2.81	45
	32135-1	Guard, Filter, Retainer	3.15	3.15	0.40	2.81	30
	32135-2	Guard, Filter, Retainer	3.15	3.15	0.40	2.81	45
	32048	Guard Only	3.15	3.15	0.25	2.81	—
TA350	32136-2	Guard, Filter, Retainer	3.62	3.62	0.40	3.25	30
	32136-3	Guard, Filter, Retainer	3.62	3.62	0.40	3.25	45
	32138	Guard Only	3.62	3.62	0.25	3.25	—
TA450	31109	Guard, Filter, Retainer	4.69	4.69	0.25	4.13	45
	32137-1	Guard, Filter, Retainer	4.64	4.64	0.42	4.13	30
	32137-2	Guard, Filter, Retainer	4.64	4.64	0.42	4.13	45
	32049	Guard Only	4.64	4.64	0.28	4.13	—
TA500	32293-1	Guard Only	5.00	5.00	0.25	4.45	—
	32293-2	Guard, Filter, Retainer	5.00	5.00	0.25	4.45	30
	32293-3	Guard, Filter, Retainer	5.00	5.00	0.25	4.45	45

* Pores per inch.



Nidec

152 Will Drive, Canton, MA USA 02021 · Phone 781-828-6216 · Fax 781-830-1155
Email fans@nidec.com · http://www.nidec.com

Filter Guards

