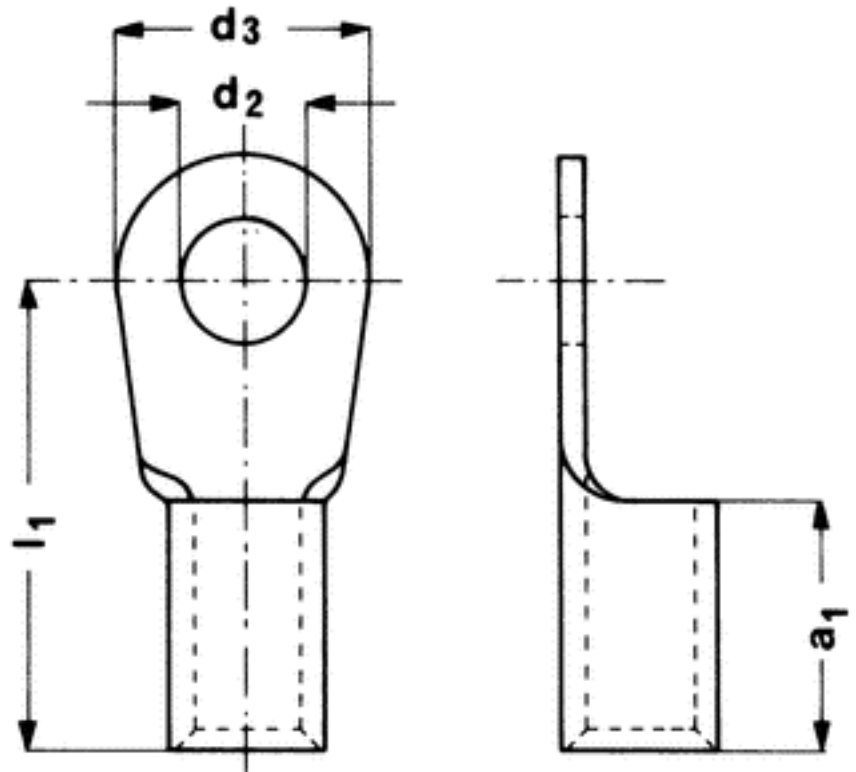




Characteristics and dimensions of terminals

Part number	03524.311.011
Specification	Cable lug ring type
Material	SE-Cu
Surface / Colour	Sn 3
Form	Single form
Single part	X
Packing unit / piece	400
Section area (mm ²)	16.00
DIN	ähnlich 46211 Form A
Nominal size	10x5.4
Material thickness (mm)	1.00
a ₁	11.50
d ₂	10.50
d ₃	19.00
l ₁	29.00



Note: The drawing only gives an overview of the geometry of the part. The crimp area is shown as supplied in strip form. A technical drawing is available on request.

[Contents of your inquiry](#)

Packing Units (per 400 pieces)

CW