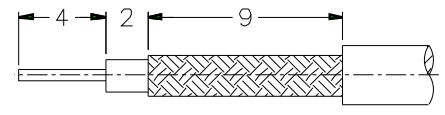
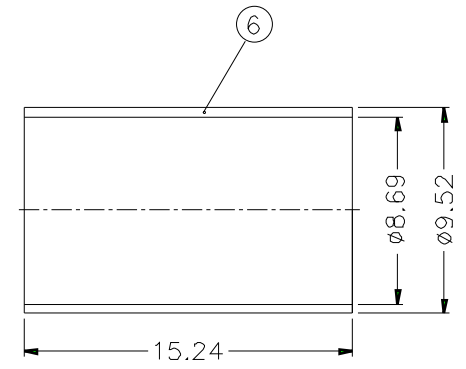
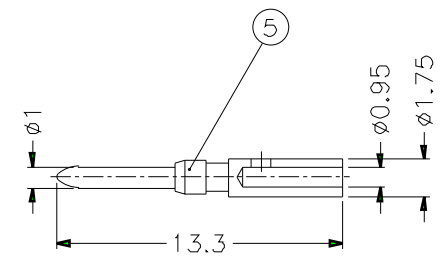
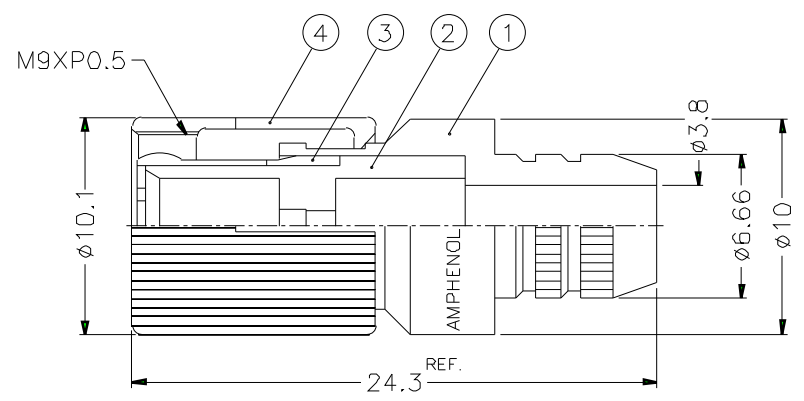


		1		2		3		4		5		6		7		8	
REVISIONS																	
ISS	ZONE	DESCRIPTION\PER REQUEST\DATE															



CABLES: - L910/7
- L910/8

RECOMMENDED
CABLE STRIPPING DIM'S



- FERRULE CRIMPING TOOLS P/N
227-944 (M22520/5-01)
227-1221-55 (M22520/5-55) HEX: 8.25 L=10.16
- INNER CONTACT CRIMPING TOOL P/N
413 SP 00 ADJUST TO 6
- PACKAGING IN BAG WITH COMMERCIAL PART NUMBER
AND DATE CODE
- CONNECTOR ACCORDING TO NFC 93-570

										DIMENSIONS ARE IN MILLIMETERS				PART NO. 156 929 01		Amphenol	
6	FERRULE	COPPER	NICKEL	1						APPROVED	DATE	10-11-01'	TITLE				
5	CONTACT PIN	BRASS	GOLD	1						CHECKED	DATE	10-11-01'	1.6/5.6 75Ω STRAIGHT PLUG, CRIMP TYPE				
4	SHELL	BRASS	NICKEL	1						DRAWN	DATE	10-11-01'	DRAWING NO.				
3	OUT CONTACT	BRONZE	GOLD	1						FILE NO.			ITEM NO.				
2	INSULATOR	TEFLON	NATURAL	1													
1	BODY	BRASS	NICKEL	1													
NO.	DESCRIPTION	MATERIAL	FINISH	Q'TY	DRAWING NO.	SCALE	3/1	ISSUE	A	FILE NO.							