

High Frequency Digitally-Controlled Tunable Filters

◆ Features:

- Digitally Controlled
- High Performance Coaxial Cavity Design
- Multiple Tuning Ranges Available
- Drive Voltages Include 110 VAC (standard), 12 VDC, 24 VDC, 220 VAC
- Remote Interfaces Include GPIB (standard), RS-232, RS-422, and USB



◆ Specifications:

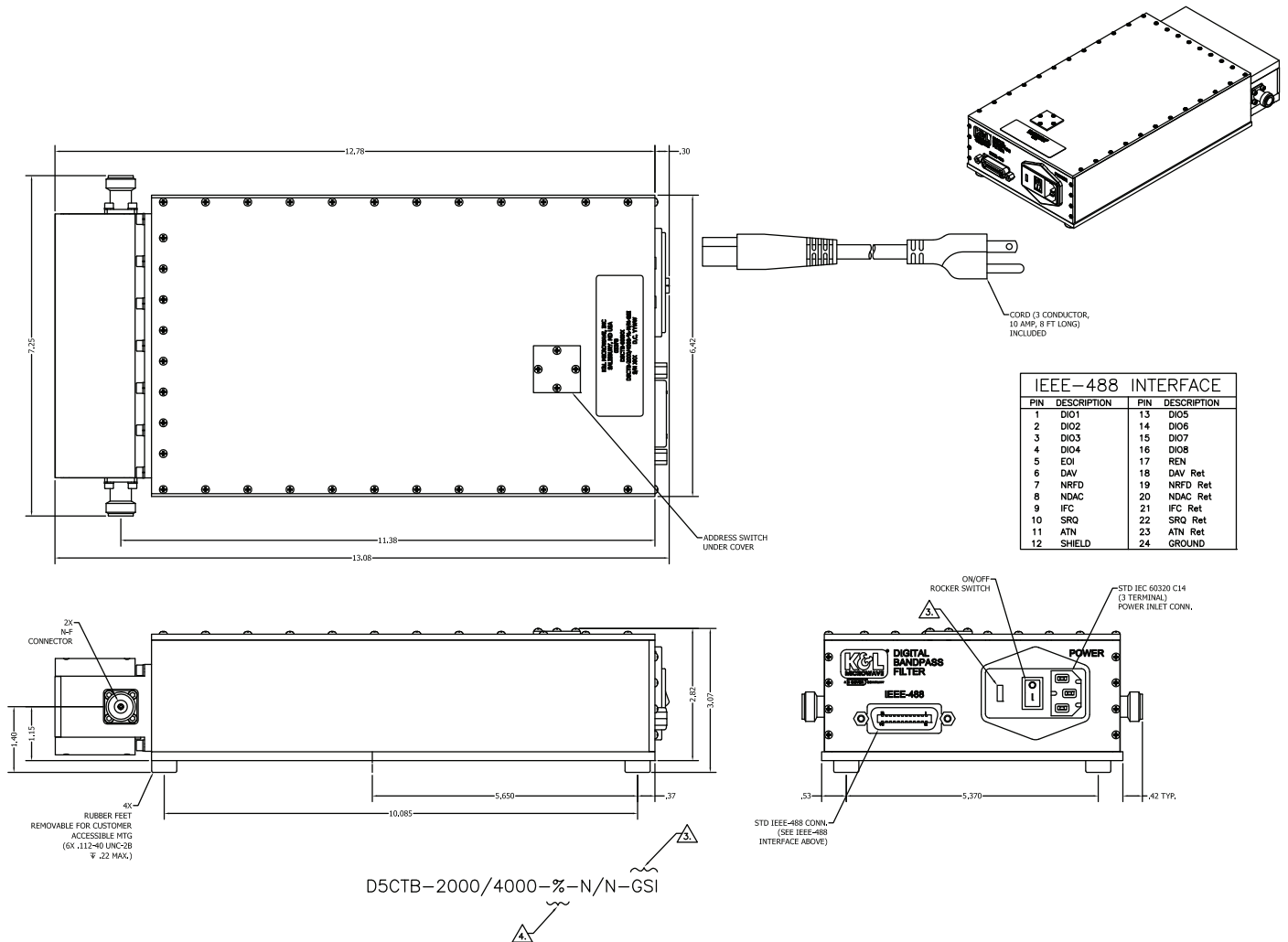
K&L Model Bandpass	Frequency Range (MHz)	Insertion Loss at f_0 (typical)	Insertion Loss at f_0 (max)	3 dB Bandwidth (nominal)	VSWR at f_0 (typical)	Approx. Size X Y Z (inches)
D5CTB-2000/4000-1-N/N-GSI	2000 - 4000	1.25 dB	1.75 dB	1%	1.5:1	7.3 x 13.1 x 3.1
D5CTB-4000/6000-1-N/N-GSI	4000 - 6000	2.5 dB	3.0 dB	1%	1.5:1	5.7 x 11.8 x 3.1
D5CTB-6000/8000-1-N/N-GSI	6000 - 8000	2.5 dB	3.0 dB	1%	1.5:1	5.7 x 11.8 x 3.1
D5CTB-2000/4000-2-N/N-GSI	2000 - 4000	0.75 dB	1.25 dB	2%	1.5:1	7.3 x 13.1 x 3.1
D5CTB-4000/6000-2-N/N-GSI	4000 - 6000	1.5 dB	2.0 dB	2%	1.5:1	5.7 x 11.8 x 3.1
D5CTB-6000/8000-2-N/N-GSI	6000 - 8000	1.5 dB	2.0 dB	2%	1.5:1	5.7 x 11.8 x 3.1
D5CTB-2000/4000-5-N/N-GSI	2000 - 4000	0.4 dB	1.0 dB	5%	1.5:1	7.3 x 13.1 x 3.1
D5CTB-4000/6000-5-N/N-GSI	4000 - 6000	1.0 dB	1.5 dB	5%	1.5:1	5.7 x 11.8 x 3.1
D5CTB-6000/8000-5-N/N-GSI	6000 - 8000	1.0 dB	1.5 dB	5%	1.5:1	5.7 x 11.8 x 3.1
Filter Type:	5-Section Bandpass					
Shape Factor (30 dB to 3 dB/ 50 dB to 3 dB):	2.2:1/3.5:1					
Impedance:	50 ohms					
RF Connectors:	Type N standard, SMA optional					
Digital Interface:	GPIB standard, RS-232, RS-422, USB optional					
Power:	110 VAC standard, 12 VDC, 24 VDC, 220 VAC optional					

◆ Applications:

- Automated Test and Measurement Facilities
- Troubleshooting Co-location Environments
- Wireless Communications

High Frequency Digitally-Controlled Tunable Filters

◆ Outline Drawing for D5CTB-2000/4000 Series:



* K&L Microwave® brand products are custom designed to user requirements. Final electrical specifications and dimensions decided at order placement.

www.klmicrowave.com
Phone: 410-749-2424 • FAX: 443-260-2268
Email: sales@klmicrowave.com



www.klfilterwizard.com
2250 Northwood Drive
Salisbury, MD 21801