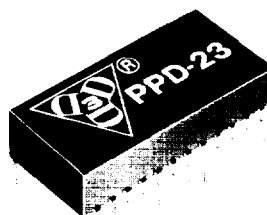


# Programmable Pulse Discriminator

SERIES: PPD-23  
(3 BIT) TTL Interfaced



## Features:

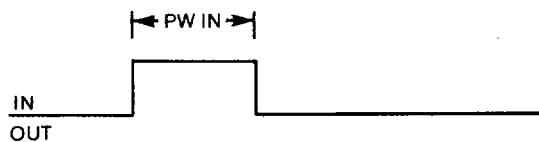
- Discriminates against precisely programmed pulse widths.
- 3-bit address.
- 24 pins DIP.
- Low profile.

## Specifications:

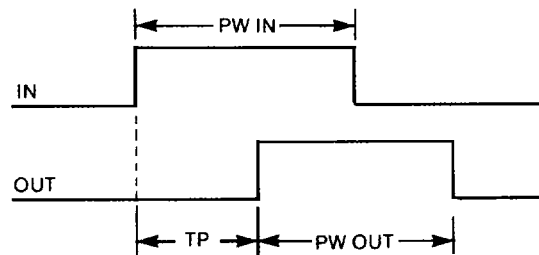
- Inherent pulse width ( $PW_0$ ): 5 ns typ.
- Supply voltage: 5 Vdc  $\pm$  5%.
- Operating temperatures: 0°C to 70°C.
- Temperature coefficient: 100 PPM/°C.
- Power Dissipation: 850 mw max.
- DC parameters: See TTL-Standard Schottky Logic Table on Page 6.

PW IN Input pulse width  
 PW OUT Output pulse — PW IN 4 ns  
 TP Propagation delay — PW Programmed + 6 ns

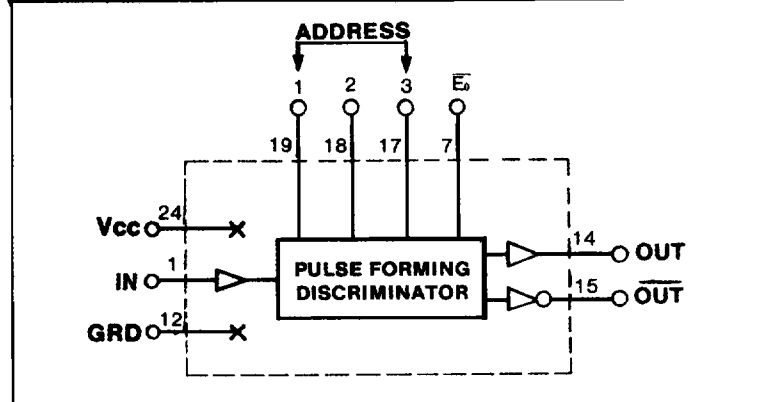
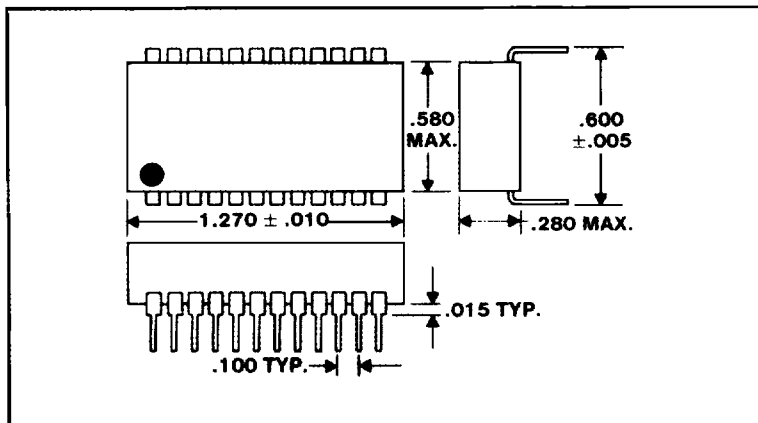
\* **CONDITION A:** ( $PW_{IN} \leq \text{PROGRAMMED } PW$ )



\* **CONDITION B:** ( $PW_{IN} \geq \text{PROGRAMMED } PW$ )



\*See page vi for details timing.



Part Number	Incremental Pulse Width Per Step (ns)	Total Programmed Pulse Width (ns)
PPD-23-1	1 $\pm$ .4	7
PPD-23-2	2 $\pm$ .4	14
PPD-23-3	3 $\pm$ .5	21
PPD-23-5	5 $\pm$ .6	35
PPD-23-10	10 $\pm$ 1.0	70
PPD-23-15	15 $\pm$ 1.3	105
PPD-23-20	20 $\pm$ 1.5	140
PPD-23-40	40 $\pm$ 2.0	280
PPD-23-50	50 $\pm$ 2.5	350

Contact us for specific requirements. We customize.