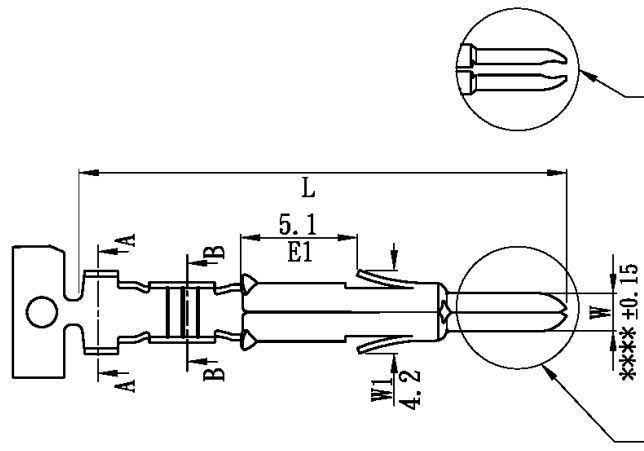
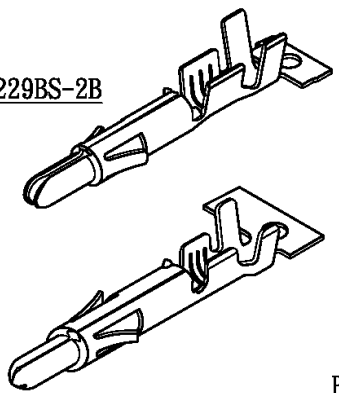


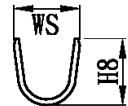
Dimensions (mm)										
Part No.	AWG	OD	L	W	E	IS	WS	H9	H8	Pcs/reel
JS-66A3-A-2	14-20	3.4~1.9	21	2.1	13.7	4.6	2.9	4.4	3.4	4,000
JS-66A3-A-2B			20.4	2.15	13.1					
JS-66A3-A-2A	18-24	3.1~1.5	21	2.1	13.7	3.4	2.6	3.4	3	7,000



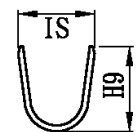
A00229BS-2B



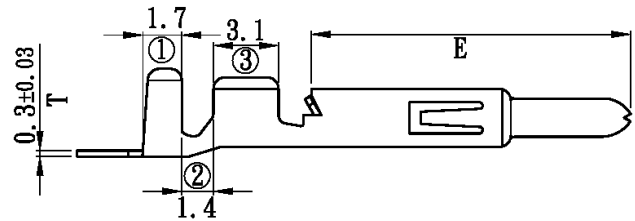
A00229BS-2(-2A)



B-B Section



A-A Section



SPECIFICATIONS
 Tin plated before press/forming
 Pre-tin plated thickness >40μ"

RoHS compliant

Rev.	Description	Date	Approved	Drawing	Name	Date
				Approved	Howard	08/10/99
				Checked	Lizzy	08/10/99
				Drawn	Tina	08/10/99
				0.0 ± 0.35	0.00 ± 0.20	Angles ± 3'
						UNIT: mm

Central Components Manufacturing
 440 Lincoln Blvd., Middlesex, New Jersey 08846
 Phone 732 469-5720 888 288-5152 Fax 732 469-1919

Part No.: **JS-CH-66A3-A-XX**

Description: Terminal, ø2.1mm