

General Specifications

Motor Structure: Shaded Pole Induction Motor
 Motor Protection: Impedance Protection
 Insulation Resistance: 10M Ohm or over with DC500V Megger
 Dielectric Withstand Voltage: AC 700V 1s
 Allowable Ambient Temperature Range:
 -10 degree C ~ +70 degree C (Operating)
 -40 degree C ~ +70 degree C (Storage)
 (non-condensing environment)

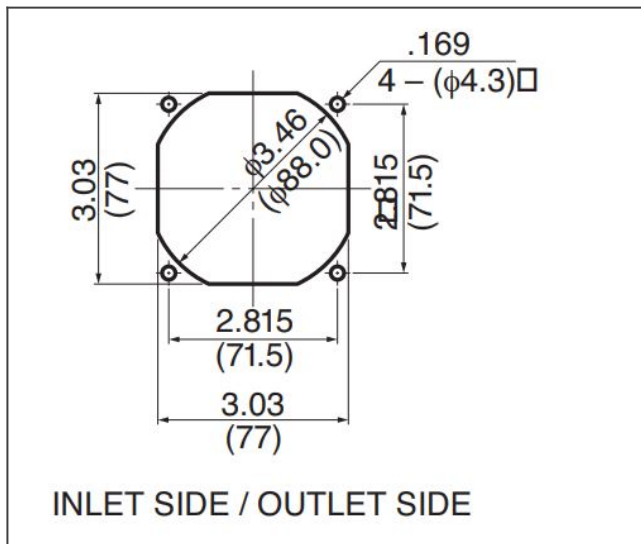
Material

Casing: Aluminum Black Painting
 Impeller: Plastic (Black) UL94V-0
 Lead Wire or Terminal: UL3266, AWG22 / Faston #110 or equivalent

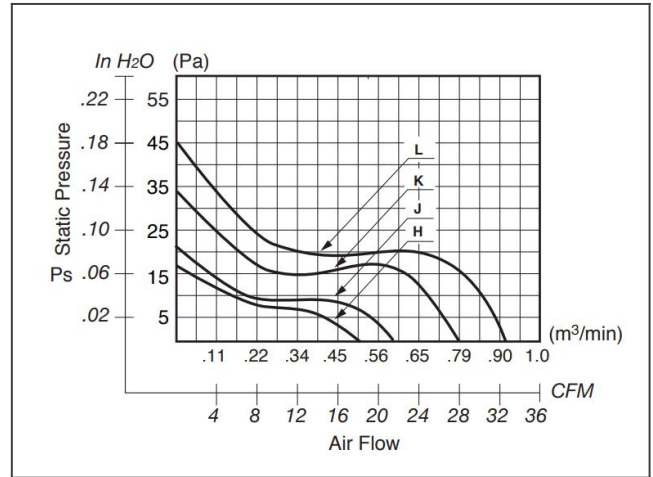
order part 3115FS-23T-B20-A00_60Hz Ball Bearing Fan AC Axial Fans



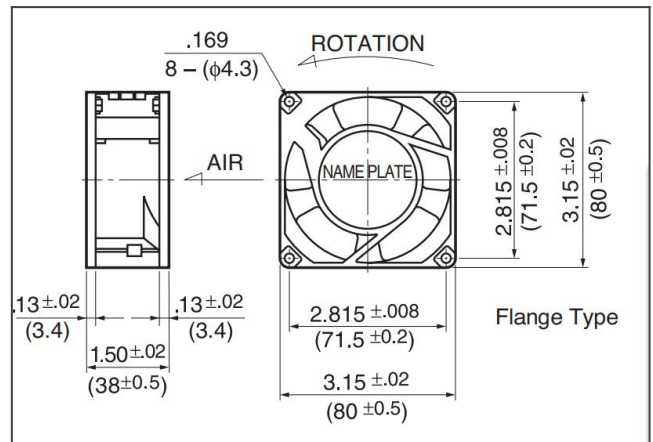
3115FS panel cut out



3115FS characteristics curve



3115FS product drawing



AC Axial Fans

Detailed Specifications

| | |
|----------------------------------|--|
| Expected Life: | *Failure rate 10% 25deg.C 50,000 hours |
| Nominal Voltage: | 230[V] |
| Frequency: | 60[Hz] |
| Starting Voltage: | 175[V] |
| AC Fans: | Ball Bearing Fan |
| Current: | 0.06[A] |
| Input Power (+10% - 20%): | 7.5[V] |
| Speed: | 2750[min^{-1}] |
| Max. Air Flow: | 0.79[m ³ /min] |
| Max. Air Flow: | 28[CFM] |
| Max. Static Pressure: | 32.5[Pa] |
| Max. Static Pressure: | 0.13[In H ₂ O] |
| Noise: | 40[dB] |
| Fan Size: | 80[mm] |
| Fan Width: | 38[mm] |
| Mass: | 340[g] |