

Pitch: .050" x .100"

# HIGH DENSITY RIGHT ANGLE BOARD MOUNT SOCKET

## SPECIFICATIONS

Meets: SCSI III standard

## ENVIRONMENTAL

Temperature Range: -55°C to +105°C

## MECHANICAL

Insulator Material: Glass-filled thermoplastic, black, UL94V-0

Contact Material: Copper Alloy

Contact Plating: Contact Area: Gold (see below)  
Tail Area: Tin/lead alloy

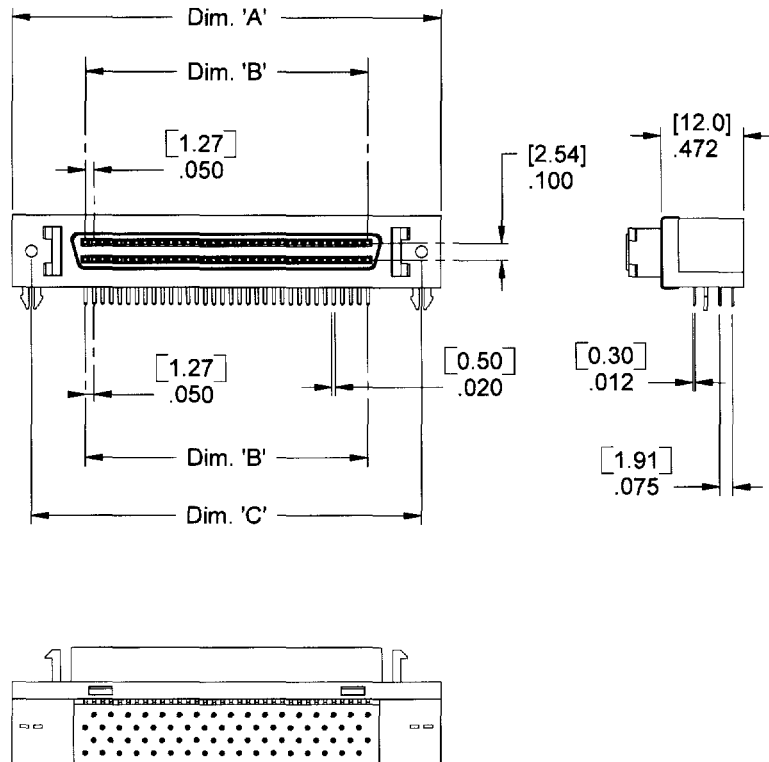
## ELECTRICAL

Current Rating: 1 AMP

CA-  HDSR-  -

POSITION	PLATING	MOUNTING
50	A = 5µ IN sel gold	0 = 4/40 without latch block
68	B = 10µ IN sel gold	1 = 2/56 with latch block
		3 = 2/56 without latch block
		4 = 4/40 with latch block

DIMENSIONS			
Position	A	B	C
50	2.063 [52.40]	1.655 [42.03]	1.830 [46.48]
68	2.505 [63.63]	2.115 [53.73]	2.280 [57.91]



Drawing Number CA-610199

For more information please contact our customer service department or visit our website at circuitassembly.com