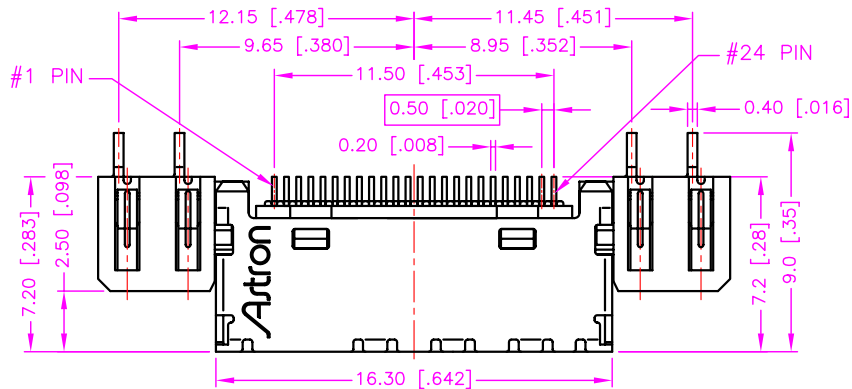


REV.	DESCRIPTION	DATE
A	RELEASE	Sep 19, 2002
B	02'0953	Sep 23, 2002
C	02'1021	Oct 21, 2002
D	02'1105	Nov 3, 2002
E	03'0120	Jan 16, 2003
F	03'0214	Feb 20, 2003
G	03'0322	Mar 25, 2003
H	03'0825	Aug 13, 2003
J	03'1202	Dec 12, 2003
K	04'0337	Mar 19, 2004



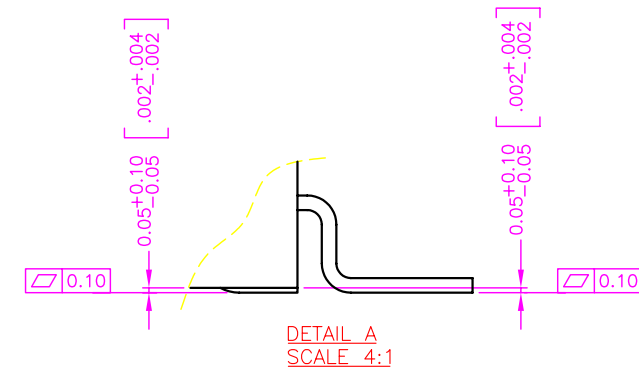
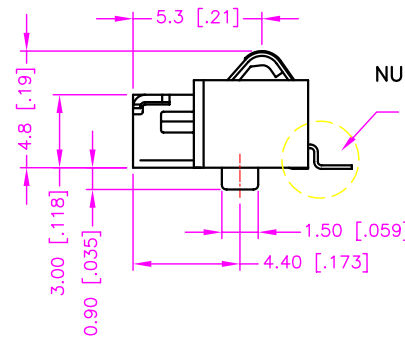
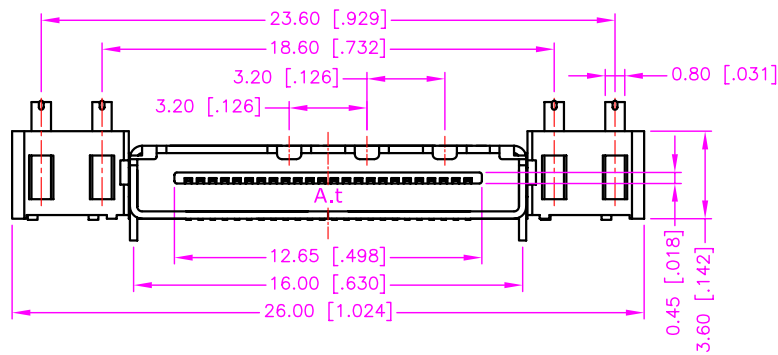
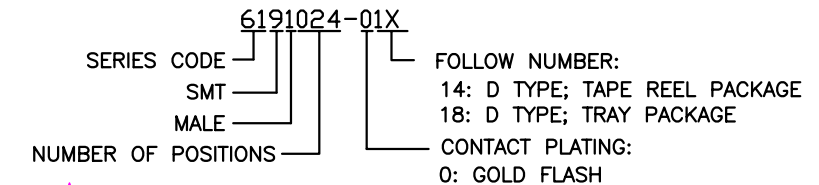
MATERIALS

- HOUSING : HI.-TEMP. PLASTIC (UL 94V-0), BLACK.
- TERMINAL : COPPER ALLOY, GOLD PLATED OVERALL.
($t=0.20\text{mm}$, SIGNAL TERMINAL; $t=0.15\text{mm}$, BATTERY TERMINAL)
- SHELL : STAINLESS STEEL, NICKEL PLATED. ($t=0.30\text{mm}$)

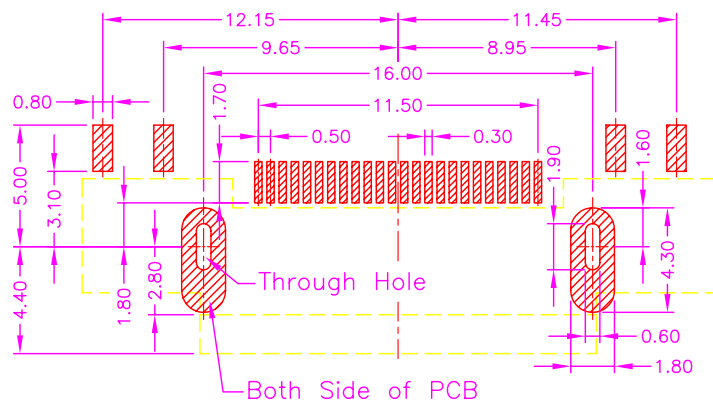
SPECIFICATION

- CURRENT RATING : 0.5 A MAX.
- DIELECTRIC WITHSTANDING VOLTAGE : 250V AC R.M.S. FOR ONE MINUTE.
- INSULATION RESISTANCE : 1000 M Ω MIN AT 250V DC.
- OPERATING TEMPERATURE : -40°C TO +85°C.

ORDER INFORMATION :



DETAIL A
SCALE 4:1



RECOMMEND P.C.B. LAYOUT
TOLERANCE ± 0.05
TOP VIEW

TOLERANCE .0= ± 0.38 [.015] .00= ± 0.25 [.010] .000= ± 0.15 [.006] .0000= \pm ANG.= $\pm 3^\circ$		DRAWER <i>judy</i>	 ASTRON TECHNOLOGY CORP.
UNITS : mm [inch]		CHECK <i>SRP</i>	
SCALE NONE	SIZE A4	APP'D <i>LION</i>	DRAW NO. R6191024-014(8)
SHEET 1 OF 1	REV. K	PRODUCT SPEC. ---	