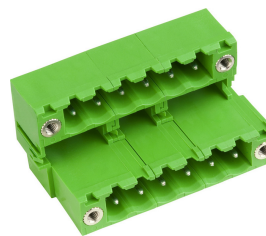




STLZ970/..F-5.08-H-GREEN



Technical Data

Wire Sizes		Insulating Material	
Solid min	-	Material	PBT
solid max	-	Flammability Class	UL 94 V-0
Stranded (flexible)		Temperatures	
min	-	Operating Temperature	-30 °C - 105 °C
Stranded (flexible)		Wave Soldering Process	
max	-	Soldering Temperature, recommended	265 °C
Stranded with Ferrule		Peak Soldering Time, recommended	3-4 s
min	-	Reflow Process	
Stranded with Ferrule		Soldering Temperature, recommended	-
max	-	Peak Soldering Time, recommended	-
Dimensions			
Stripped Length			
PCB Hole Diameter	1.4 mm		
Materials			
Flansch	Brass		
Gewindeinsatz			
Contact Pin	Copper Alloy		

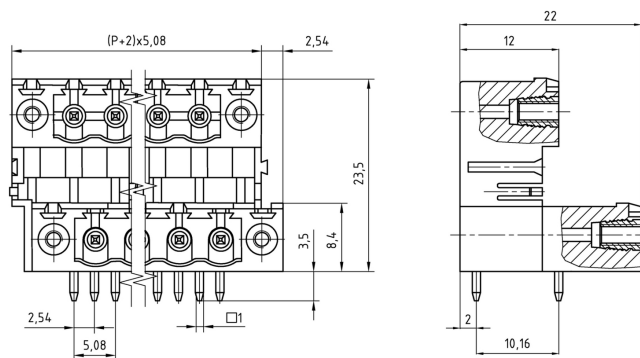
Colours

GREEN	RAL6018	
LIGHT GREEN	similar RAL 6018	

Colours according to RAL, there may be variations on colour due to production conditions. Special colours on request.

Counterparts (Spacing 5.08 mm)



Pin Strip/Terminal Blocks				
AKZ950	AKZ4951	AKZ1200	AKZ1110	AKZ1100



Order Data (Spacing mm)

Poles	Width (mm)	Article Designation	Article Number	PU
2	22.86	STLZ970/2F-5.08-H-GREEN	50970026021D	50
3	27.94	STLZ970/3F-5.08-H-GREEN	50970036021D	50
4	33.02	STLZ970/4F-5.08-H-GREEN	50970046021D	50
5	38.10	STLZ970/5F-5.08-H-GREEN	50970056021D	50
6	43.18	STLZ970/6F-5.08-H-GREEN	50970066021D	50
7	48.26	STLZ970/7F-5.08-H-GREEN	50970076021D	50
8	53.34	STLZ970/8F-5.08-H-GREEN	50970086021D	50
9	58.42	STLZ970/9F-5.08-H-GREEN	50970096021D	50
10	63.50	STLZ970/10F-5.08-H-GREEN	50970106021D	50
11	68.58	STLZ970/11F-5.08-H-GREEN	50970116021D	50
12	73.66	STLZ970/12F-5.08-H-GREEN	50970126021D	50

Accessories

Figure	Designation	Article Number
	Coding star CS2-5.0/5.08-RED	50000000024
	Dividing element SE-STL950-GREEN	50950000002

Ratings



Usegroup	B	C	D	
Rated Voltage	300 V	150 V	300 V	250 V
Rated Current	15 A	15 A	10 A	12 A
Overtoltage Category				III
Test Voltage	1.6 kV	1.6 kV	1.6 kV	4.0 kV
Pollution Degree				3