



RJ45 CAT 5E ETHERNET

# Series ITS (5015 type) Reverse-Bayonet

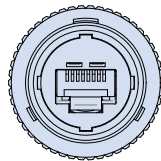


ITS300 Coupler with Accessory Threads and Plug-to-Jack (Plug) or Jack-to-Jack (Receptacle)

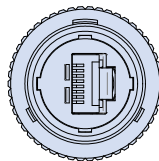


How to Order	
<b>Sample Part Number</b>	<b>ITS300 030 G 18 5E 1 F7</b>
<b>Basic Number</b>	<b>ITS300</b>
<b>Connector Style<sup>1</sup></b>	<b>030</b> = Rear Panel Mount Square Flange Receptacle <b>01</b> = InLine Receptacle <b>070</b> = Rear Panel Mount Jam Nut Receptacle <b>06</b> = Straight Plug Connector
<b>Insert-to-Shell Grounding</b>	<b>G</b> = Insert grounded to shell (for use with shielded cable) (Use only with G3, F11 or F7 finish) <b>Omit</b> = for none
<b>Shell Size</b>	<b>18</b>
<b>RJ45 Category</b>	<b>5E</b> = Cat 5E For Cat 6A applications consult factory
<b>RJ45 Orientation</b>	<b>1, 2, 3 or 4</b>
<b>Material/Finish</b>	<b>Omit</b> for Aluminum/Cadmium, Olive Drab (G3) <b>F6</b> = Aluminum/Black Polymer Electrocoat <b>F7</b> = Aluminum/Conductive Black Zinc Nickel <b>F11</b> = Aluminum/Electroless Nickel

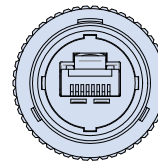
## RJ45 Orientation Options (Plug Shown)



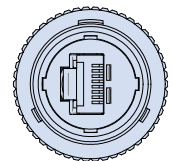
Code 1



Code 2



Code 3



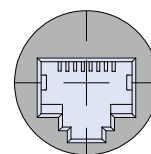
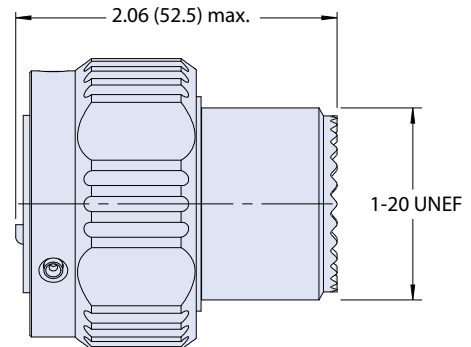
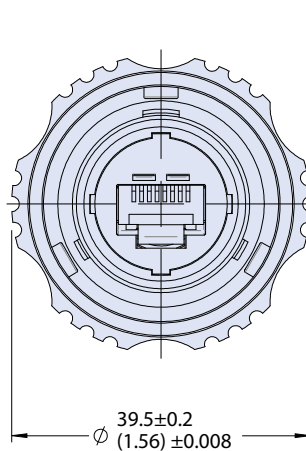
Code 4

D

### NOTES

1. See Section A for panel cutout dimensions
2. Plugs are plug/jack and receptacles are jack/jack

### 06 - PLUG WITH ACCESSORY THREADS



Rear Connector View with RJ45 Jack (Applies to all connector styles)



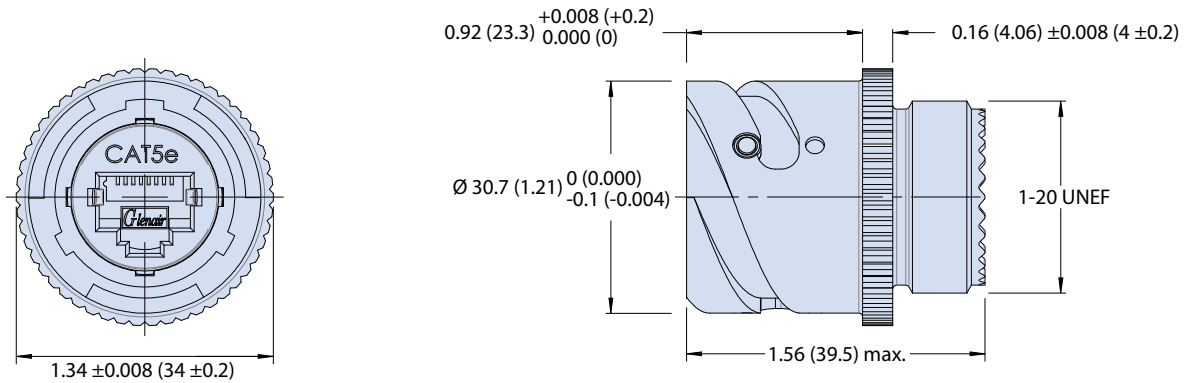
RJ45 CAT 5E ETHERNET

Series ITS (5015 type) Reverse-Bayonet

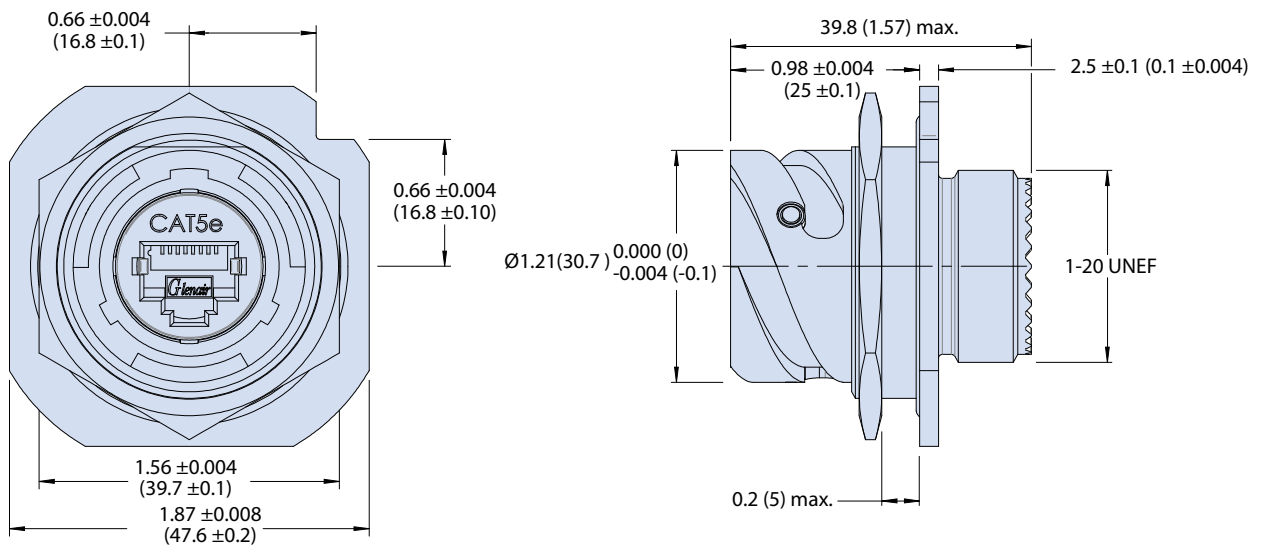


ITS300 Coupler with Accessory Threads and Plug-to-Jack (Plug) or Jack-to-Jack (Receptacle)

**01 - INLINE RECEPTACLE WITH ACCESSORY THREADS**



**070 - REAR PANEL MOUNT JAM NUT RECEPTACLE WITH ACCESSORY THREADS**



**030 - REAR PANEL MOUNT SQUARE FLANGE RECEPTACLE WITH ACCESSORY THREADS**

