

DASH NO	CABLES ACCOMMODATED	ASSEMBLE PER
-23	275-3930, MICRODOT	TAI-127
-24	202-3934, MICRODOT	TAI-125
-24A	9530A5117, RAYCHEM	TAI-127
-27	202-3927, MICRODOT 73-1317911-1, SYLVANIA	TAI-125
-29	TWC-124-1A TWC-78-1	TAI-125
-30	8441, BELDEN 4 761A, W.E.CO.	TAI-125
-32	TRC-50-1	TAI-127
-33	TRC-75-1	TAI-127
-43	250-4044/250-4045 293-3930 MICRODOT	TAI-174
-47	M17/176-00002 5	TAI-125
-49	TWAC-78-1F2 5	TAI-125
-56	GC875GC1, GRUMMAN	TAI-174
-57	GC875GB1, GRUMMAN	TAI-174
-58	GC875TM24H, GRUMMAN	TAI-125

INCH	MM
.005	0.13
.080	2.03
.187	4.75
.375	9.53
.484	12.29
.790	20.07

5 .187 LG JACKET SLITS MAY BE REQUIRED FOR EASE OF ASSY

4 NOT WRENCH CRIMP

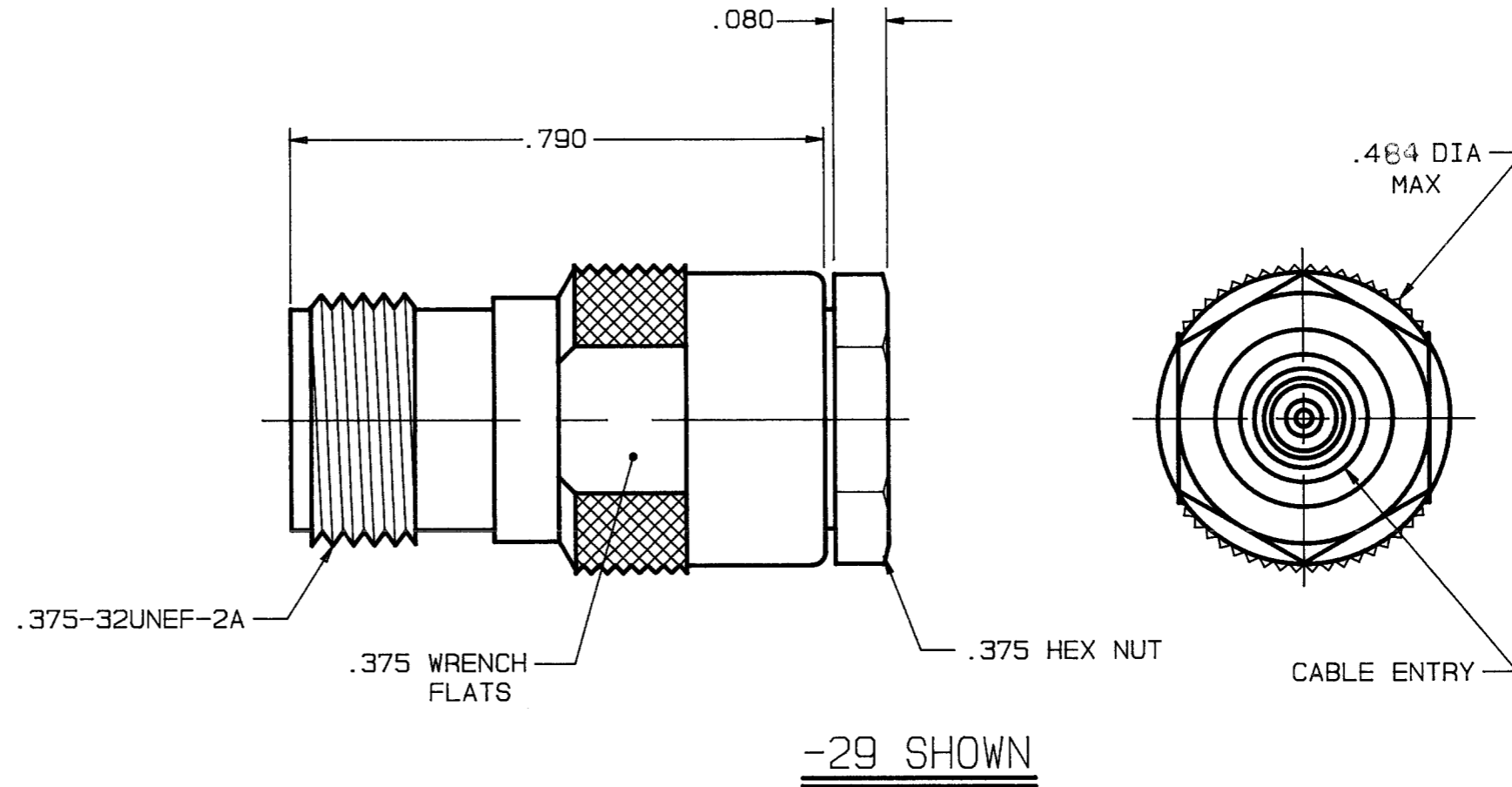
3. CONCENTRIC TWINAX/TRIAX SUBMINIATURE THREADED TTM RECEPTACLE

2. FINISH: TFS-1A (NICKEL)

1. ALL DIM ARE IN INCHES

DISK # H 7
DWG SIZE B
DATA CONTAINED IN THIS DOCUMENT IS PROPRIETARY TO TROMPETER ELECTRONICS INC. AND SHALL NOT BE DISCLOSED, COPIED OR USED FOR PROCUREMENT OR MANUFACTURE WITHOUT EXPRESS WRITTEN PERMISSION.

REVISIONS			3-0044		SH 1
REV	EO	DESCRIPTION	DWN	APPROVED	DATE
K	9117	ADDED -43; .484 DIA MAX WAS .447; ADDED ITEMS 13 & 14 TO L/M; ITEMS 13 & 14 FOR -29 & -57 WERE ITEMS 5 & 6	J S	<i>E.E.K.G.</i>	12-13-90



QTY	DESCRIPTION		PART NUMBER	ITEM
TOL UNLESS SPECIFIED		TROMPETER ELECTRONICS, INC.		
.XX ±	.XXX ± .005			
.XXX ±	.XXX ±	DRAWING NO.	REV	
.XXX ±	.XXX ±	3-0044	K	
ANGLES ±		DATE 8/11/80	SHEET 1 OF 2	
DWN	J S	12/4/90	MATERIAL	CODE IDENT
CHK	<i>E.E.</i>	12-11-90	—	14949
ENGR	<i>K.G.</i>	12-13-90	SCALE 4/1	
APPR	<i>[Signature]</i>	12-13-90		

NEXT ASSY