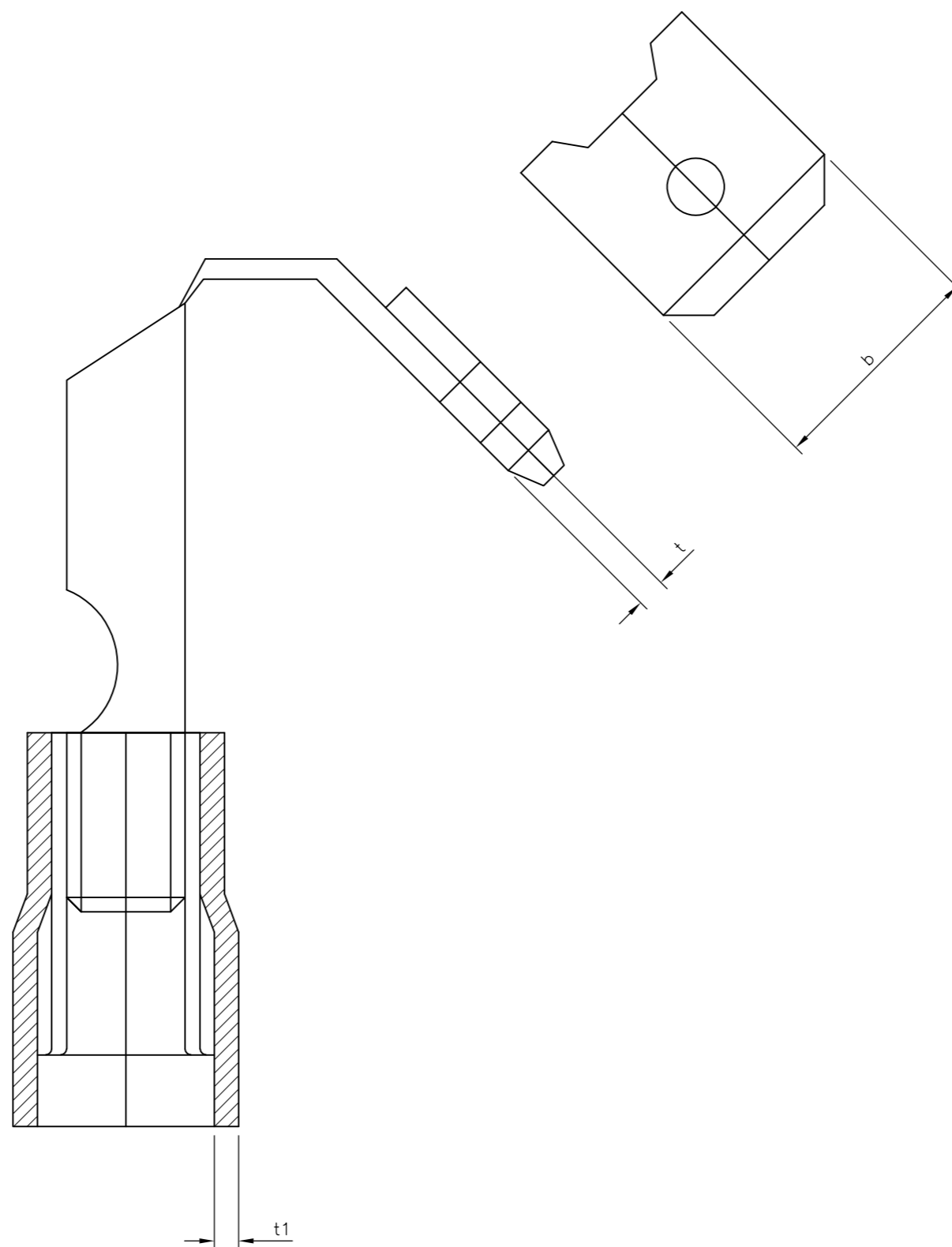
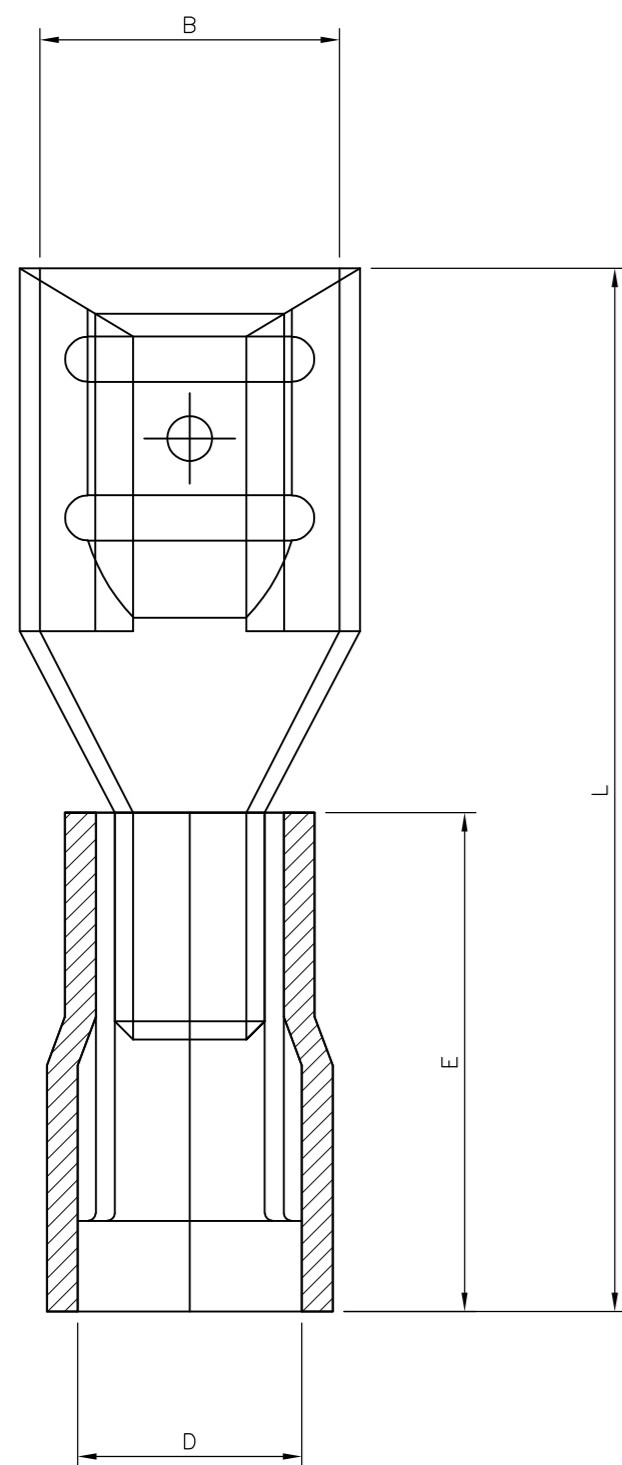


THIS DRAWING IS UNPUBLISHED. RELEASED FOR PUBLICATION 25AUG ,2005.  
 © COPYRIGHT 2005 BY TYCO ELECTRONICS CORPORATION. ALL RIGHTS RESERVED.

LOC		DIST		REVISIONS			
P	LTR	DESCRIPTION		DATE	DWN	APVD	
	B	ECR-09-006452		30/03/09	AM	JS	



- NOTES:
- FOR TECHNICAL DATA REFER TO YOUR LOCAL TYCO ELECTRONICS SALES OFFICE.
  - ALL DIMENSIONS ARE NOMINAL FOR REFERENCE ONLY UNLESS OTHERWISE STATED.
  - FOR PACKAGING DETAILS SEE SHEET 2.
  - MATERIAL: BODY - BRASS  
SLEEVE - PVC (K65), 94V-0
  - APPLICATION SPEC 114-13196

2-1838229-0	1.5mmsq-2.5mmsq 16-14 (AWG)	6.4x0.8mm STANDARD ENTRY	BLUE PIGGY BACK TERMINAL (INSULATED)	1500	500	6.80	6.35	23.00	4.90	11.00	0.40	0.80	1.5mmsq-2.5mmsq 16-14(AWG)	6.4 X 0.8	BLUE PIGGY BACK TERMINAL (INSULATED)	2-1838229-0
1-1838229-0				1750	50											1-1838229-0
STOCK NUMBER	PACKING LABEL DESCRIPTION LINE 3	PACKING LABEL DESCRIPTION LINE 2	PACKING LABEL DESCRIPTION LINE 1	INNER CARTON QTY	QTY	DIMENSIONS						WIRE SIZE (mmsq) & (AWG)	SIZE (mm)	DESCRIPTION	PART No	
						B (±0.30)	b (±0.20)	L (±1.50)	D (±0.50)	E (±0.50)	t (±0.10)	t1 (±0.20)				

THIS DRAWING IS A CONTROLLED DOCUMENT.

DWN	K.Raghuandan	25AUG05
CHK	S. Parlow	03/04/07
APVD	F. Wheeler-King	03/04/07
PRODUCT SPEC		
APPLICATION SPEC		
WEIGHT	-	
CUSTOMER DRAWING		

**Tyco Electronics** Tyco Electronics Corporation  
Bideford, UK, EX39 4HE

NAME: EURO-CRIMP INSULATED BLUE PIGGY BACK TERMINAL  
1.5mmsq-2.5mmsq / 16-14 AWG RANGE

SIZE	CAGE CODE	DRAWING NO	RESTRICTED TO
A2	00779	C=1838229	-

SCALE: NTS SHEET 1 OF 2 REV B

4

3

2

1

THIS DRAWING IS UNPUBLISHED. RELEASED FOR PUBLICATION 25AUG ,2005.  
 © COPYRIGHT 2005 BY TYCO ELECTRONICS CORPORATION. ALL RIGHTS RESERVED.

LOC	DIST	REVISIONS			
P	LTR	DESCRIPTION	DATE	DWN	APVD
-	-	SEE SHEET 1	-	-	-

**BOX LABEL FIG 1**

**BOX FIG 2**

**LABEL NOTES:**

1. PERFORATED LINE: DOTTED LINE TO BE ALIGNED WITH OPENING EDGE & FOLDED TO LEFT SIDE OF BOX.

2. LOGO: USE LATEST REVISION OF TYCO COMPANY LOGO.

3. LINE1: SEE SHEET 1, USE TEXT FROM COLUMN PACKAGING LABEL DESCRIPTION LINE 1.

4. PART NUMBER: FOR 1--0 & 2--0 USE TYCO PART NUMBER.  
 1--0 = 1-1838229-0  
 2--0 = 2-1838229-0

5. LINE 2: SEE SHEET 1, USE TEXT FROM COLUMN PACKAGING LABEL DESCRIPTION LINE 2.

6. LINE 3: SEE SHEET 1, USE TEXT FROM COLUMN PACKAGING LABEL DESCRIPTION LINE 3.

7. QTY: SEE SHEET 1, USE NUMBER FROM THE COLUMN QTY.

8. EAN BARCODE: USE LATEST TYCO BARCODE SUPPLIED.  
 1--0 = TYCO BARCODE  
 2--0 = TYCO BARCODE

9. UL: WHERE APPLICABLE USE UL LOGO, SEE SHEET 1.

10. PRODUCT PICTURE: A PRODUCT PICTURE IS REQUIRED.

**BOX NOTES:**

1. EURO SLOT: TO BE POSITIONED TO CENTRE ON FRONT COVER.

2. BOX HINGE: FRONT COVER TO BE HINGED ON RIGHT SIDE.

3. SPECIFICATION: COVER TO BE FREE FROM POSSIBLE WARPING & CAPABLE OF BEING RE-SEALED MIN 100 TIMES.

4. LABEL: CORRECT CUSTOMER BOX LABEL TO BE POSITIONED ON THE FRONT COVER WITH THE PERFORATED EDGE ON THE LEFT HAND SIDE.

**PACK SPECIFICATION:**

1. CLEAR PLASTIC BOX: PART NUMBER 1--0 TO BE PACKED 50 PARTS PER CLEAR PLASTIC BOX (FIG2) WITH THE CORRECT CUSTOMER LABEL (FIG1), 35 CLEAR PLASTIC BOXES OF THE SAME PART NUMBER ARE TO BE PACKED INTO A SUITABLE INNER CARTON BOX.

2. CLEAR PLASTIC BAG: PART NUMBER 2--0, USE A SUITABLE CLEAR PLASTIC BAG FOR 500 PARTS, POSITION AN APPROPRIATE LABEL AS IN FIG1 BUT WITHOUT THE PERFORATED SIDE, CENTRE OF BAG. 3 BAGS ARE THEN TO BE PACKED INTO A SUITABLE INNER CARTON BOX.

3. INNER CARTON LABEL: LABEL AS PER CLEAR PLASTIC BAG NOTE 2 BUT WITH INNER CARTON QTY 1500 TO BE POSITIONED ON THE SIDE OF THE BOX FOR VIEWING WHEN STORED.

THIS DRAWING IS A CONTROLLED DOCUMENT.		DWN K.Raghuandan 25AUG05	Tyco Electronics Corporation Bideford, UK, EX39 4HE	
DIMENSIONS: mm		CHK S. Parlow 03/04/07	NAME EURO-CRIMP INSULATED BLUE PIGGY BACK TERMINAL 1.5mmsq-2.5mmsq / 16-14 AWG RANGE	
TOLERANCES UNLESS OTHERWISE SPECIFIED: 0 PLC ± 0.5 1 PLC ± 0.2 2 PLC ± 0.1 3 PLC ± 0.015 4 PLC ± - ANGLES ± -		APVD F. Wheeler-King 03/04/07	SIZE A2	
MATERIAL -		PRODUCT SPEC -	CAGE CODE 00779	DRAWING NO C=1838229
FINISH -		APPLICATION SPEC -	RESTRICTED TO -	SCALE NTS
CUSTOMER DRAWING		WEIGHT -	SHEET 2	OF 2
		REV B		

AMP 1471-9 REV 31MAR2000

1838229