

6

5

4

3

2

1

### MATERIAL AND FINISH

Insulator: PBT, UL-94V-0 rated, color (see ordering code)  
 Shell: Brass, Nickel plated  
 Contacts: Phosphor Bronze, Gold (see chart) on mating end, Tin on termination end all over Nickel plated

### MECHANICAL SPECIFICATIONS:

Durability: 1500 cycles at 15 to 20 cycles per minute  
 Insertion force: 35 N max.  
 Withdrawal force: 10 N max.

### ELECTRICAL SPECIFICATIONS:

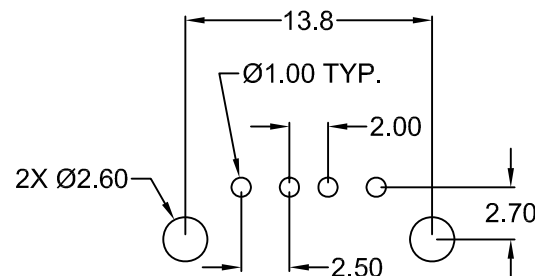
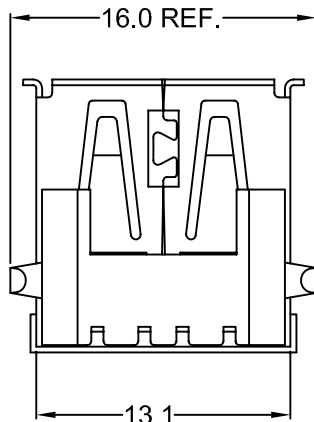
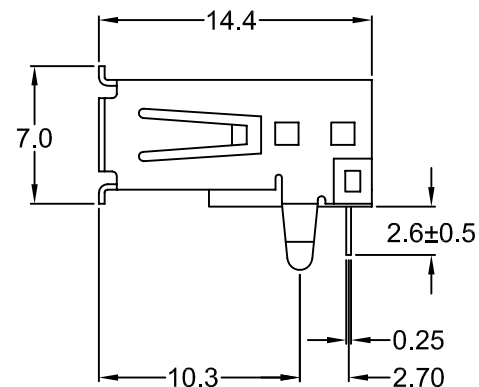
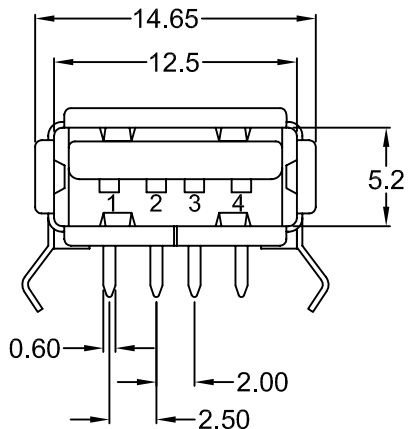
Rated current: 1 A max.  
 Rated voltage: 250 VAC max.  
 Insulation resistance: 100 Mohm min. at 500 VDC  
 Dielectric withstanding voltage: 250 VAC for one minute  
 Contact resistance: 30 mohm max.  
 Contact capacitance: 2 pF max.

### ENVIRONMENTAL:

Operating temperature: -40°C to +85°C

### SOLDERABILITY:

Solder time: 5 sec.±0.5 sec.  
 Solder temp: 245°C±5°C



RECOMMENDED PCB LAYOUT (TOP VIEW)

ORDERING CODE:  
 USB-FA1RP        
                   1    2

- 1) INSULATOR COLOR  
 1 = BEIGE  
 2 = BLACK  
 3 = WHITE
- 2) PLATING  
 SEE CHART

**RoHS  
 COMPLIANT**

REVISIONS	REV	DATE	CHANGE	CHNG CHECK	APPR
	A	2/25/05	CONTACT TERMIN END WAS TIN LEAD SHELL WAS TIN PLATED-ADD R&HS	PB	

P/N	PLATING
USB-FA1RPX1	GOLD FLASH
USB-FA1RPX2	10µ"
USB-FA1RPX3	15µ"
USB-FA1RPX4	30µ"

TOLERANCE UNLESS OTHERWISE SPECIFIED	
X	± 1
X.X	± 0.4
X.XX	± 0.20
DRAWN BY	GQ
DATE:	06/21/02
CHECK BY	TD
DATE:	07/02/02
APPR BY	PB
DATE:	07/02/02

**Power Dynamics, Inc.**

Phone: 973 560-0019 Whippany, New Jersey Fax: 973 560-0076

PART: USB CONNECTOR, 'A' TYPE, FEMALE 90°,  
 1 PORT, PCB PINS

PART #: <b>USB-FA1RPXX</b>		SHEET 1 of 1
SIZE: A	ALL DIMENSIONS FOR REFERENCE ONLY DIMENSIONS ARE IN MILLIMETERS	REV: A
SCALE: NTS		

6

5

4

3

2

1

6

5

4

3

2

1

**MATERIAL AND FINISH:**

Insulator: PBT, UL-94V-0 rated, color (see ordering code)

Shell: Copper alloy, Nickel plated

Contacts: Copper alloy, Gold (see chart) on mating end, Tin on termination end. Entire contact Nickel underplated

**ELECTRICAL SPECIFICATIONS:**

Rated current: 1 Amp

Rated voltage: 30 VAC

Insulation resistance: 1000 Mohm min. at 500 VDC

Dielectric withstanding voltage: 500 VAC for one minute

Contact resistance: 30 mohm max.

**SOLDERABILITY:**

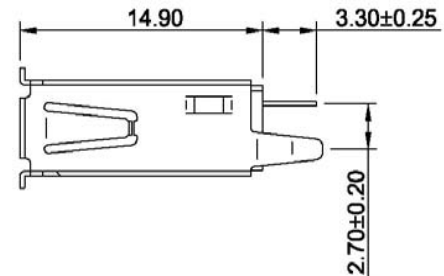
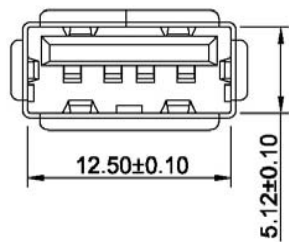
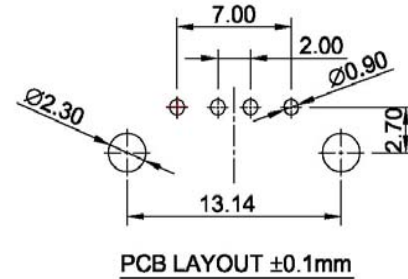
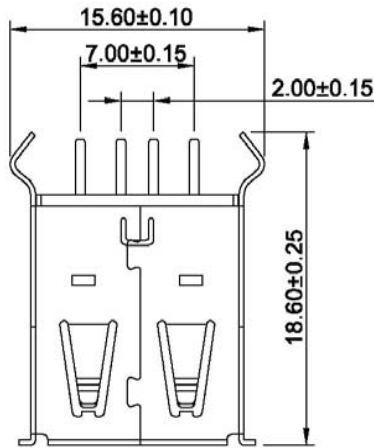
Solder time: 5 sec. ± 0.5 sec.

Solder temp: 235°C ± 5°C

**ENVIRONMENTAL:**

Operating temperature: -20°C to +85°C

RoHS  
COMPLIANT



**ORDERING CODE:**

USB-FA1SP 1 2

**1) INSULATOR COLOR**

- 1 = BEIGE
- 2 = BLACK
- 3 = WHITE

**2) PLATING  
SEE CHART**

P/N	PLATING
USB-FA1SPX1	GOLD FLASH
USB-FA1SPX2	10µ"
USB-FA1SPX3	15µ"
USB-FA1SPX4	30µ"

REV	DATE	CHANGE	CHNG CHECK APPR	
			PB	PB
A	10/25/05	REV. PLATING; ADD RoHS		
B	9/22/10	UPDATED DIMS & SPECS		

TOLERANCE UNLESS OTHERWISE SPECIFIED		
X	±	1
X.X	±	0.4
X.XX	±	0.20

DRAWN BY	GQ	DATE:	06/25/02
CHECK BY	TD	DATE:	06/26/02
APPR BY	PB	DATE:	06/26/02

**Power Dynamics, Inc.**

Phone: 973 560-0019 Whippany, New Jersey Fax: 973 560-0076

PART: USB CONNECTOR; 'A' TYPE, FEMALE 180°C  
1 PORT; PCB MOUNT

PART #: <b>USB-FA1SPXX</b>		SHEET 1 of 1
SIZE: A	ALL DIMENSIONS FOR REFERENCE ONLY DIMENSIONS ARE IN MILLIMETERS	REV: <b>B</b>
SCALE: NTS		

6

5

4

3

2

1