

**Wire to Board Connectors
AMP CT (Common Termination) Connector System**

The AMP CT Connector System is an automatic harness-making system to provide a range of harness styles by AMP high-speed automatic crimping machines using three types of 2mm centerline connectors—MT Connectors, MT AMP-IN Vertical Connectors and MT AMP-IN Horizontal Connectors.

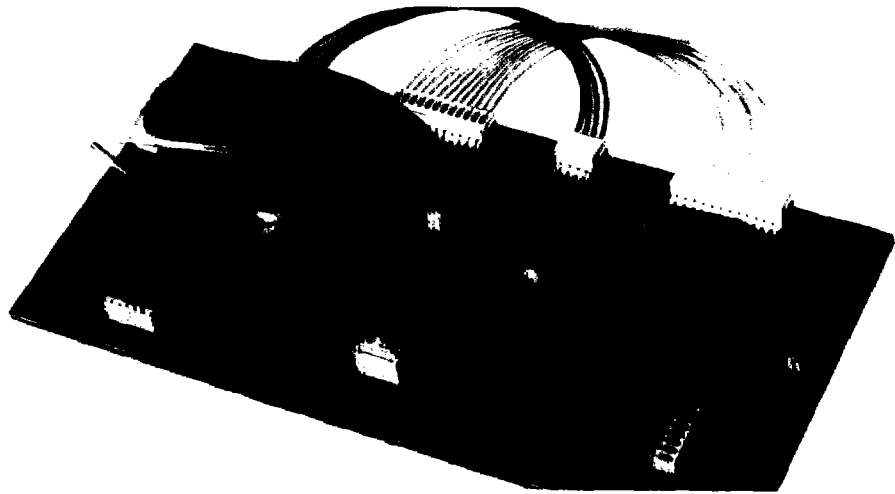
Contacts are on 2mm centerline with all connectors and the spacing between the housing end and the centerline of the contact cavity at either end is also 2mm.

Harnesses can be assembled in any of the six configurations shown in the following pages. A variety of harness-making machines are available ranging from hand tools for low volume production to high-speed automatic crimping machines for medium to high volume productions.

Both discrete wire and flat shielded cable can be used for this system and a new generation of high-speed automatic crimping machine is now available which allows these two types of cable to be used singly or mixed in one connector. AMP high-speed automatic crimping machines are easy to operate, eliminating the need for tedious work of changing parts inside the equipment to adapt to changes in harness styles.

■MT Receptacle Connector

Preloaded with insulation displacement receptacle contacts in the housing, MT Receptacle Connectors mate with either single- and double-row board mount post headers or intermediary post headers.



■Crimp-Type Receptacle Connectors

These connectors consist of crimp-type contacts and a housing and mate with the same post headers as MT receptacle connectors.

■Board-Mounting Post Headers

These headers are mounted on a board and accept either crimp or displacement insulation crimp type receptacle connectors. These post headers are available in two styles, single-row and double-row. The single-row post header comes in both standard-type and box-type which is highly resistant to scooping at mating/unmating, and for each type, there are horizontal-mounting and vertical-mounting versions. The double-row post header has a wall around the header, which protects the mated receptacle safely and provide positive resistance to scooping at mating/unmating.

■Receptacle Captivating Holder

This holder captivates two wired receptacle connectors and provides a double-row

connector to mate with a double-row type post header.

■Panel-Mounting Post Headers

These headers are loaded with through posts by which they mate with receptacle connectors both at front and at rear when mounted on a panel. The housing has a built-in arm for panel-mounting. Also, the housing features a wall to protect posts and ensure a positive mating with the receptacle.

■CT Card-Edge Connectors

Connect to the edge of the printed circuit board at the front end and mate with wired CT receptacle connectors at the rear end. 6-position and 8-position types available, both with the mating section loaded with double rows of contacts; each 6-position connector accepts 2 3-position receptacle connectors and 8-position connectors 2 4-position receptacle connectors.

■Mini-Drawer Connectors

A superminiature drawer connector loaded with posted contacts; posts at the rear

end mate with wired CT receptacle connectors. Because CT connectors can be inserted and withdrawn easily, it is possible to remove circuits without pulling drawer connectors off from the equipment.

■MT AMP-IN Header Assemblies

These headers are one-piece connectors that can be inserted directly and soldered into a board hole with wire terminated to it. The inserting post of the header is bifurcated at its tip, a design similar to the post used in the Mini AMP-IN header. The two forks of the post are closed at the tip and one of them bent so as to fold in the tip. This design ensures easy insertion into the board hole and prevents breaking of the tip. Also, both forks of the bifurcated post act as a spring to exert pressure to the inside wall of the board hole and ensure firm retention of the header during soldering. Header assemblies for horizontal and vertical mounting are available.

Wire to Board Connectors
AMP CT (Common Termination) Connector System

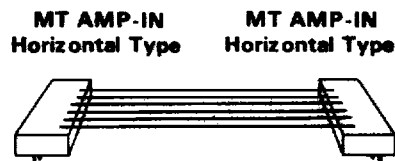
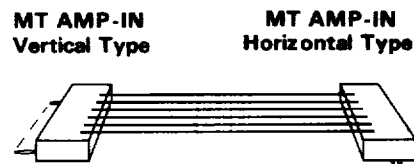
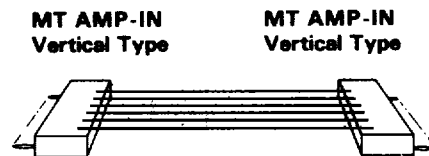
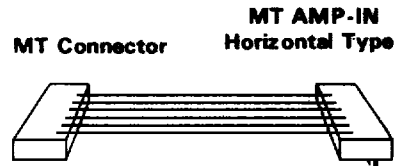
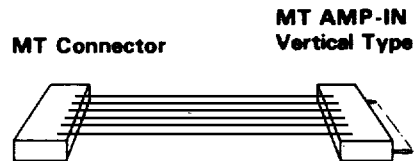
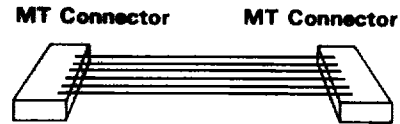
Feature

- A connector system to assemble multiple connectors to both ends of wire simultaneously by the combined use of AMP high-speed automatic insulation displacement crimping machine and mass-termination connectors.
- Ensures substantial labor-saving as well as improved quality and stability in harness assembly.
- The assembling machine can be adapted to all harness configurations without the need to change machine parts.
- Applicable connectors include MT connectors as well as MT AMP-IN header assemblies that can be directly inserted into printed circuit boards.
- A crimping receptacle connector is also available.
- Board-mount post headers are offered in two types, SMT-type and DIP-types, each useable for vertical mounting and horizontal mounting.
- In addition, a relay post header is available that mates with receptacle connectors both at front and at rear when mounted on panel.
- Both MT receptacle connectors and crimp-type receptacle connectors can share the same post headers when mated.
- MT AMP-IN header assemblies are secured onto boards with posts inserted directly into board holes and soldered.
- Both DIP-type post headers and MT AMP-IN headers are provided with kinks for self-retention on boards.
- Mini-Drawer connectors that mate with each other with CT receptacle connectors inserted on the wire side are also available.

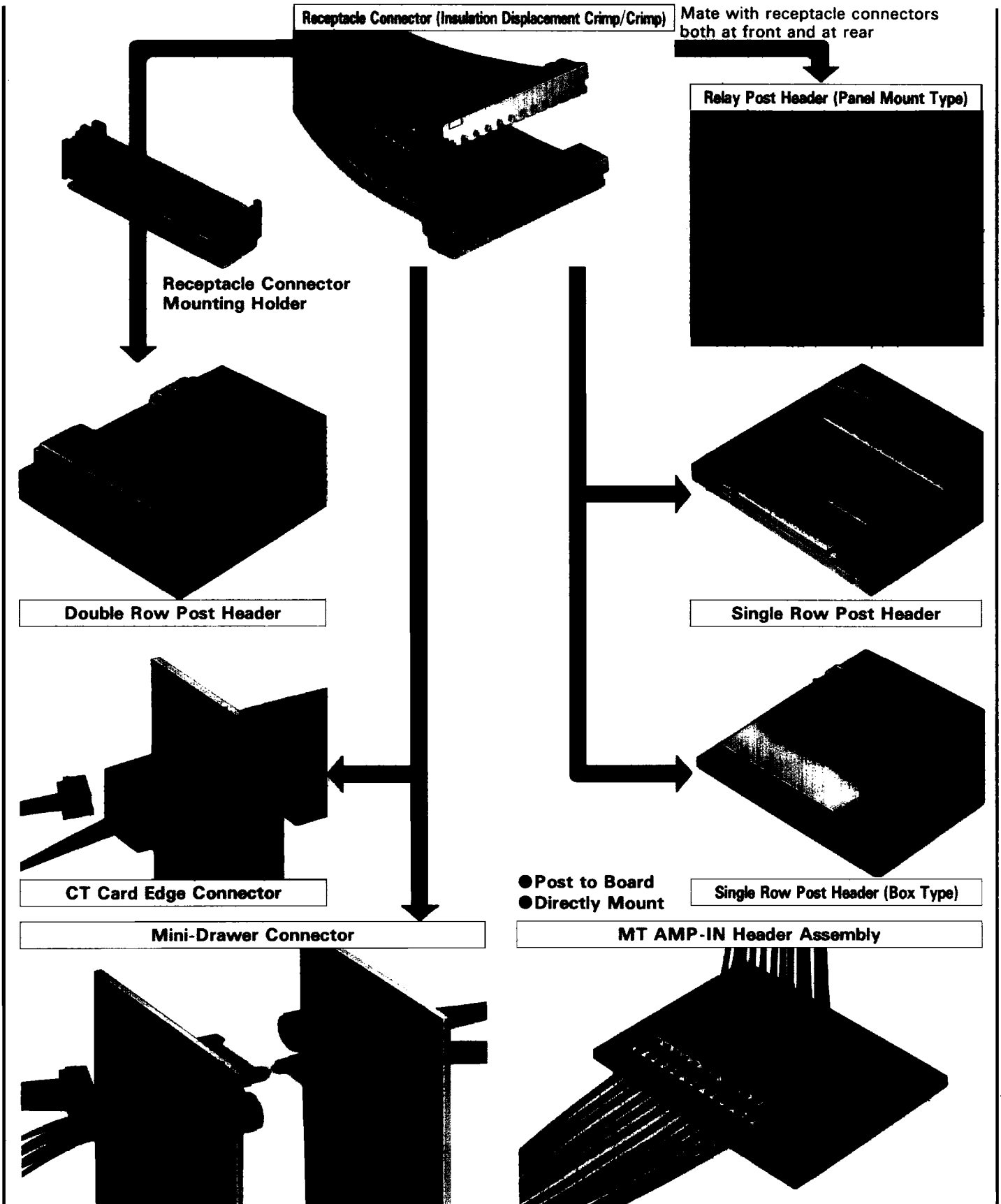
Performance Data

- Voltage rating:**
125V AC/DC max.
- Current rating:**
MT Type—
2A(AWG #26)
1A(AWG #28)
Crimp Type—
4A(AWG #22)
3A(AWG #24)
2.5A(AWG #26)
- Overall low level resistance:**
10mΩ (initial)
20mΩ (final)
- Dielectric withstanding voltage:**
1,000V AC for one minute
- Insulation resistance:**
1,000MΩ (initial)
500MΩ (final)
- Operating temperature:**
-30~+105°C
- Product Specifications:**
108-5297(Crimp Type)
108-5218(Single Row)
108-5313(Double Row)
108-5217(MT AMP-IN Header)
- Application Specification:**
114-5104 (MT Connector)
114-5140 (Crimp Type contact)
114-5179 (Crimp Type II contact)
114-5103 (MT AMP-IN Header)
- Instruction Sheet:**
IS-537J(Double Row)

Connector Combination for Harness Type



**Wire-to-Board Connectors
AMP CT(Common Termination) Connector System
Mating Configurations**



**Wire to Board Connectors
AMP CT (Common Termination) Connector System
Crimp Type Connectors <2mm Pitch>**

Receptacle Contact

Material and Finish:
Phosphor bronze (0.25mm thickness)
Wire Size:AWG # 26-22
(0.12~0.35mm²)
Insulation Dia.:1.0~1.5mm

Part Number of Hand Tool
914571-1 (IS-513J)

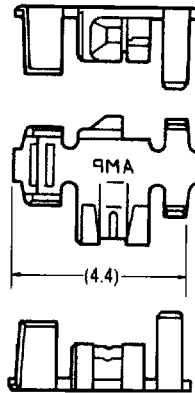


Part Number of Hand Tool with Pistol Grip
918438-1 (IS-605J)



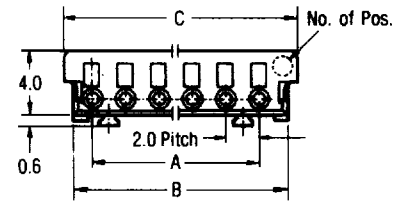
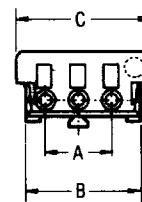
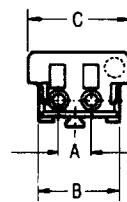
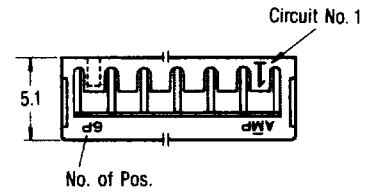
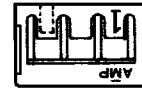
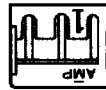
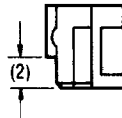
Receptacle Housing

Material: UL94V-0 rated,
66 nylon, natural color



Part Number: 1-175102-1 (Pretinned phosphor bronze)
(Strip Form)
1-175161-1(Pretinned phosphor bronze)
(Loose Piece)

Note: Loose piece contacts, being small in size, are supplied in the form of a comb with 10 pieces on 6mm pitch. There is a slit at the root of each contact and it can be snapped off easily.



2 Positions

3 Positions

4~15 Positions

| No. of Pos. | Dimensions | | | Part Number of Receptacle Assembly* |
|-------------|------------|------|------|-------------------------------------|
| | A | B | C | |
| 2 | 2.0 | 4.8 | 6.0 | 175778-2 |
| 3 | 4.0 | 6.8 | 8.0 | 175778-3 |
| 4 | 6.0 | 8.8 | 10.0 | 175778-4 |
| 5 | 8.0 | 10.8 | 12.0 | 175778-5 |
| 6 | 10.0 | 12.8 | 14.0 | 175778-6 |
| 7 | 12.0 | 14.8 | 16.0 | 175778-7 |
| 8 | 14.0 | 16.8 | 18.0 | 175778-8 |
| 9 | 16.0 | 18.8 | 20.0 | 175778-9 |
| 10 | 18.0 | 20.8 | 22.0 | 1-175778-0 |
| 11 | 20.0 | 22.8 | 24.0 | 1-175778-1 |
| 12 | 22.0 | 24.8 | 26.0 | 1-175778-2 |
| 13 | 24.0 | 26.8 | 28.0 | 1-175778-3 |
| 14 | 26.0 | 28.8 | 30.0 | 1-175778-4 |
| 15 | 28.0 | 30.8 | 32.0 | 1-175778-5 |

*The color of housing is natural. Other colors available include blue, yellow and black. For details contact our Sales Department.

Note: Use holder for mating with 2-row type post header.

Wire to Board Connectors AMP CT (Common Termination) Connector System Crimp Type II Connectors <2mm Pitch>

Receptacle Contact

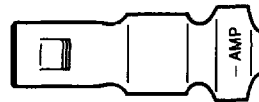
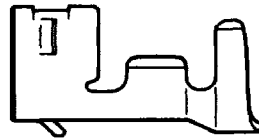
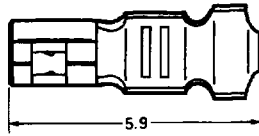
Material and Finish:

Phosphor bronze (0.20mm thickness), tin plated

Wire Size: AWG#26-22
(0.12~0.35mm²)

Insulation Dia.:
0.93~1.5mm

Part Number of Hand Tool:
934652-1 (IS-411-5665)

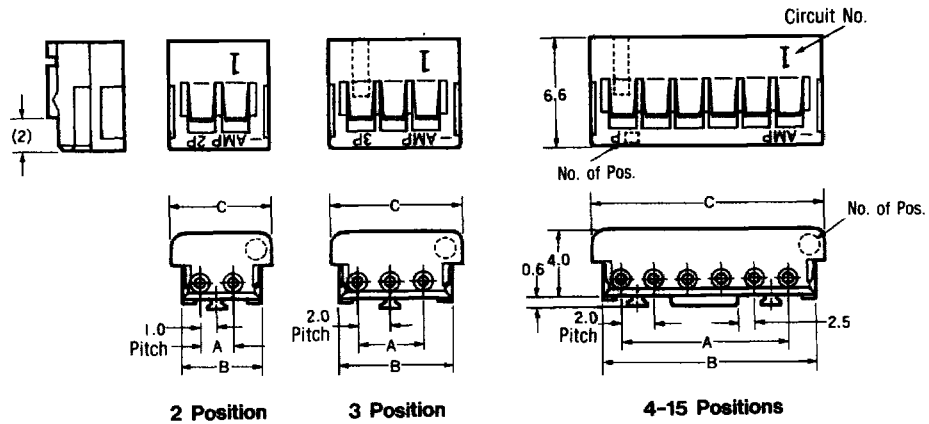


Part Number: 175227-1 (Strip Form)
179518-1 (Loose Piece)

Note: Loose piece contacts, being small in size, are supplied in the form of a comb with 10 pieces on 7.5mm pitch. There is a slit at the root of each contact and it can be snapped off easily.

Receptacle Housing

Material: UL94-0 rated, 66 nylon, natural color



| No. of Pos. | Dimensions | | | Part Number of Receptacle Housing* |
|-------------|------------|------|------|------------------------------------|
| | A | B | C | |
| 2 | 2.0 | 4.8 | 6.0 | 179228-2 |
| 3 | 4.0 | 6.8 | 8.0 | 179228-3 |
| 4 | 6.0 | 8.8 | 10.0 | 179228-4 |
| 5 | 8.0 | 10.8 | 12.0 | 179228-5 |
| 6 | 10.0 | 12.8 | 14.0 | 179228-6 |
| 7 | 12.0 | 14.8 | 16.0 | 179228-7 |
| 8 | 14.0 | 16.8 | 18.0 | 179228-8 |
| 9 | 16.0 | 18.8 | 20.0 | 179228-9 |
| 10 | 18.0 | 20.8 | 22.0 | 1-179228-0 |
| 11 | 20.0 | 22.8 | 24.0 | 1-179228-1 |
| 12 | 22.0 | 24.8 | 26.0 | 1-179228-2 |
| 13 | 24.0 | 26.8 | 28.0 | 1-179228-3 |
| 14 | 26.0 | 28.8 | 30.0 | 1-179228-4 |
| 15 | 28.0 | 30.8 | 32.0 | 1-179228-5 |

*The color of housing is natural. Other colors available include blue, yellow and black. For details contact our Sales Department.

Note: Use holder for mating with 2-row type post header.

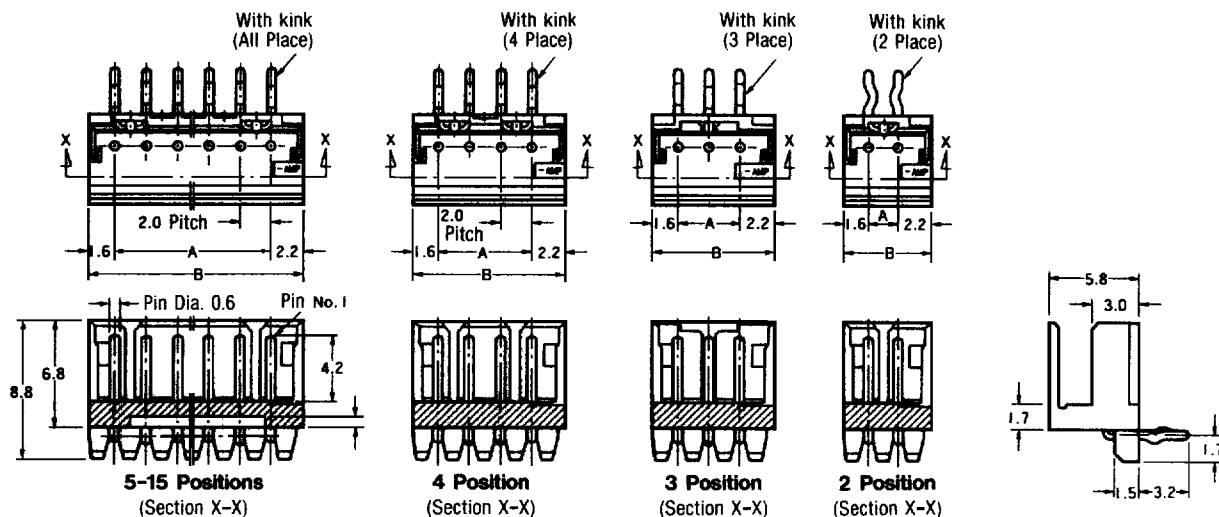
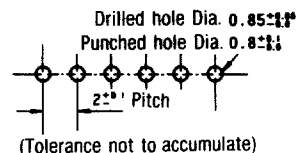
Wire to Board Connectors AMP CT (Common Termination) Connector System Post Header Assemblies (For MT and Crimp Type)

DIP Box Type

Post Header Assembly
(PC Board Application Side)
Horizontal Mount Type

Material and Finish:
Housing—UL94V-0 rated.
6/6 nylon natural color
Post Contact—Pretinned
brass

PC Board Layout
(acceptable board thickness:
0.8~1.6mm)



| No. of Pos. | Dimensions | | Part Number of Post Header Assembly* | | |
|-------------|------------|------|--------------------------------------|------------|----------|
| | A | B | Loose Piece | Tube | Tube ea. |
| 2 | 2.0 | 5.8 | 175489-2 | 175661-2 | 80 |
| 3 | 4.0 | 7.8 | 175489-3 | 175661-3 | 60 |
| 4 | 6.0 | 9.8 | 175489-4 | 175661-4 | 45 |
| 5 | 8.0 | 11.8 | 175489-5 | 175661-5 | 40 |
| 6 | 10.0 | 13.8 | 175489-6 | 175661-6 | 30 |
| 7 | 12.0 | 15.8 | 175489-7 | 175661-7 | 30 |
| 8 | 14.0 | 17.8 | 175489-8 | 175661-8 | 25 |
| 9 | 16.0 | 19.8 | 175489-9 | 175661-9 | 20 |
| 10 | 18.0 | 21.8 | 1-175489-0 | 1-175661-0 | 20 |
| 11 | 20.0 | 23.8 | 1-175489-1 | 1-175661-1 | 20 |
| 12 | 22.0 | 25.8 | 1-175489-2 | 1-175661-2 | 15 |
| 13 | 24.0 | 27.8 | 1-175489-3 | 1-175661-3 | 15 |
| 14 | 26.0 | 29.8 | 1-175489-4 | 1-175661-4 | 15 |
| 15 | 28.0 | 31.8 | 1-175489-5 | 1-175661-5 | 15 |

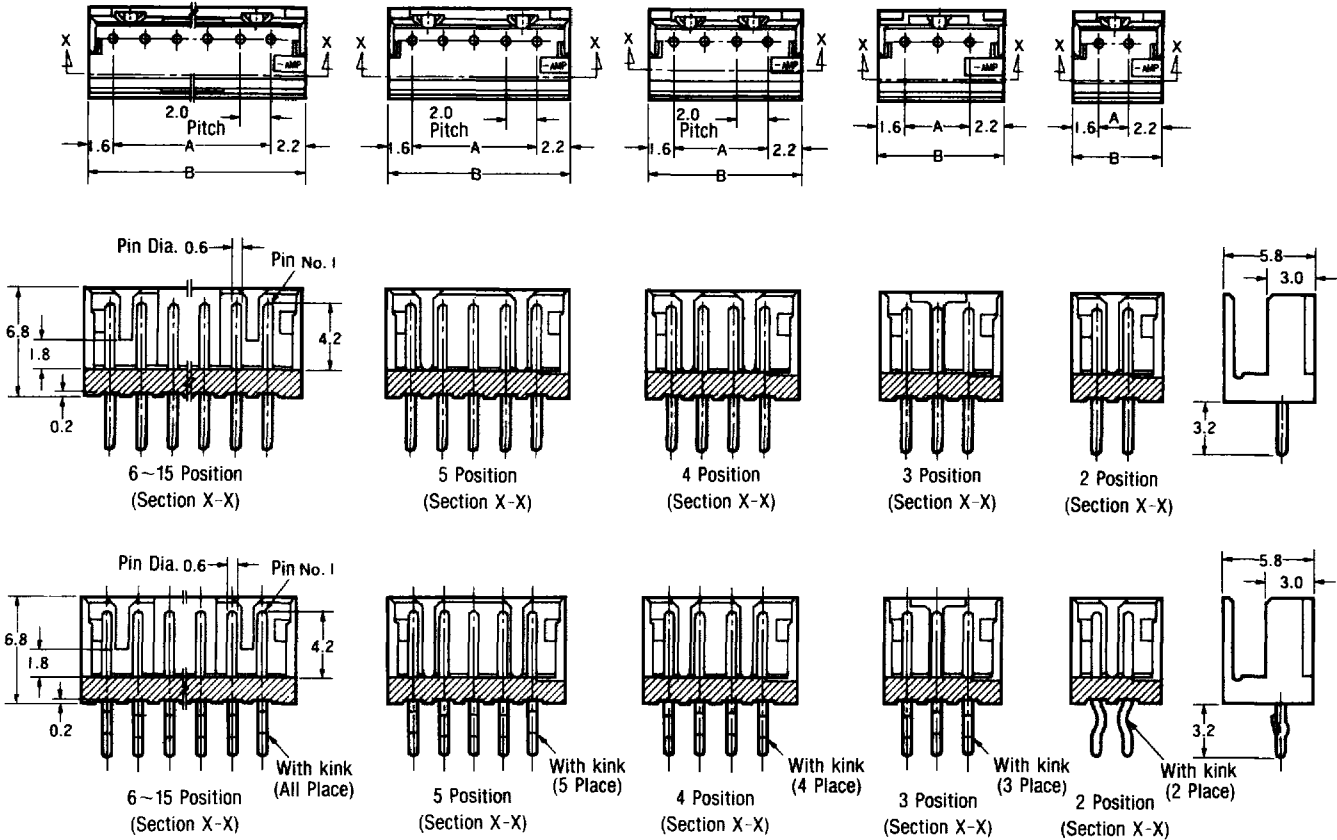
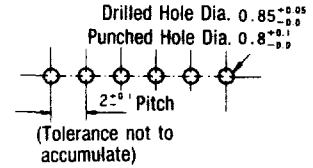
*The color of housing is natural. Other colors available include blue, yellow and black.
For details contact our Sales Department.

Wire to Board Connectors AMP CT (Common Termination) Connector System Post Header Assemblies (For MT and Crimp Type)

DIP Box Type(Cont'd)
Post Header Assembly
(PC Board Application Side)
Vertical Mount Type

Material and Finish:
Housing—UL94V-0 rated.
6/6 nylon natural color
Post Contact—Pre-tinned
brass

PC Board Layout
(acceptable board thickness:
0.8~1.6mm)



| No. of Pos. | Dimensions | | Part Number of Post Header Assembly* | | | |
|-------------|------------|------|--------------------------------------|-------------|------------|-----|
| | A | B | Without Kink | | With Kink | |
| | | | Loose Piece | Loose Piece | Tube | ea. |
| 2 | 2.0 | 5.8 | 175768-2 | 175487-2 | 175660-2 | 80 |
| 3 | 4.0 | 7.8 | 175768-3 | 175487-3 | 175660-3 | 60 |
| 4 | 6.0 | 9.8 | 175768-4 | 175487-4 | 175660-4 | 45 |
| 5 | 8.0 | 11.8 | 175768-5 | 175487-5 | 175660-5 | 40 |
| 6 | 10.0 | 13.8 | 175768-6 | 175487-6 | 175660-6 | 30 |
| 7 | 12.0 | 15.8 | 175768-7 | 175487-7 | 175660-7 | 30 |
| 8 | 14.0 | 17.8 | 175768-8 | 175487-8 | 175660-8 | 25 |
| 9 | 16.0 | 19.8 | 175768-9 | 175487-9 | 175660-9 | 20 |
| 10 | 18.0 | 21.8 | 1-175768-0 | 1-175487-0 | 1-175660-0 | 20 |
| 11 | 20.0 | 23.8 | 1-175768-1 | 1-175487-1 | 1-175660-1 | 20 |
| 12 | 22.0 | 25.8 | 1-175768-2 | 1-175487-2 | 1-175660-2 | 15 |
| 13 | 24.0 | 27.8 | 1-175768-3 | 1-175487-3 | 1-175660-3 | 15 |
| 14 | 26.0 | 29.8 | 1-175768-4 | 1-175487-4 | 1-175660-4 | 15 |
| 15 | 28.0 | 31.8 | 1-175768-5 | 1-175487-5 | 1-175660-5 | 15 |

*The color of housing is natural. Other colors available include blue, yellow and black.
For details contact our Sales Department.



Wire to Board Connectors

AMP CT (Common Termination) Connectors System

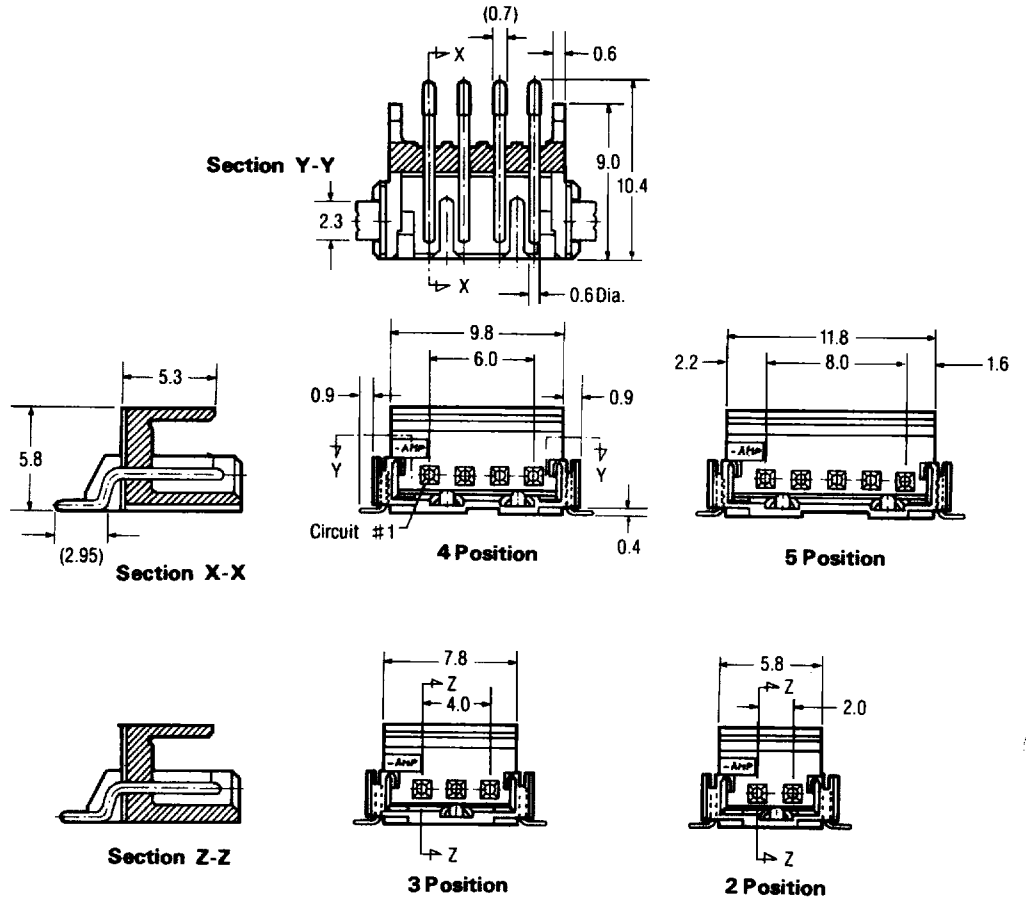
Post Header Assemblies (For MT and Crimp Type)

Box Type SMT

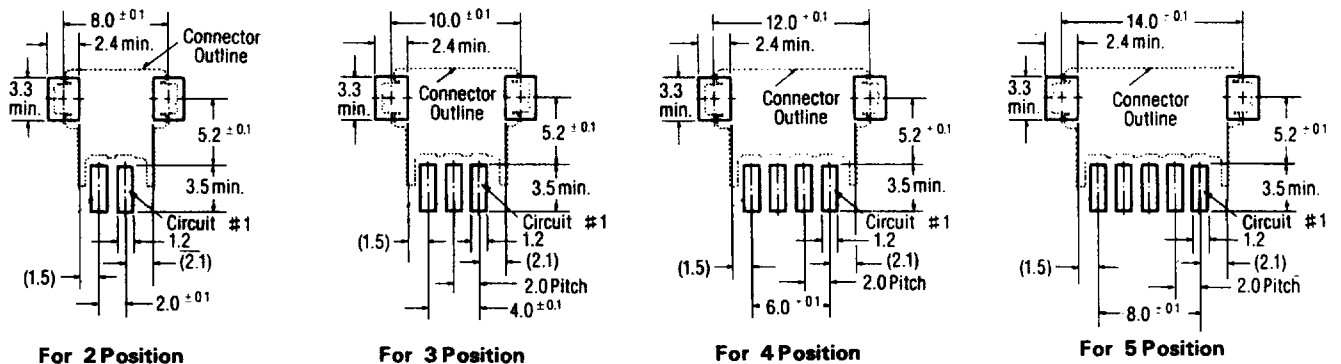
Horizontal Mount Type
With Fixing Plate/
Without Mounting Bosses

Material and Finish:

Housing—UL94V-0
rated, glass-filled PPS
Post Contact—Tin-lead
plated brass



PC Board Layout



| No. of Pos. | Part Number of Post Header Assembly/Emboss Tape Mounted* | ea. |
|-------------|--|-----|
| 2 | 2-179123-2 | 500 |
| 3 | 2-179123-3 | 500 |
| 4 | 2-179123-4 | 500 |
| 5 | 2-179123-5 | 500 |

*The color of housing is black. Other colors available include blue, yellow and black.
For details contact our Sales Department.

Wire to Board Connectors

AMP CT (Common Termination) Connectors System

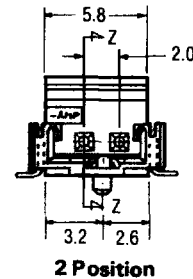
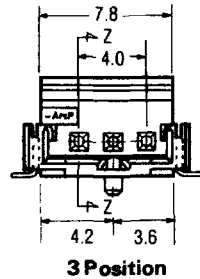
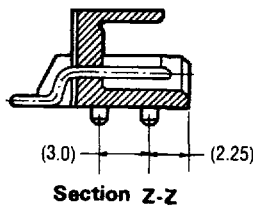
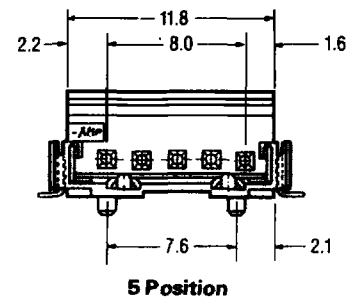
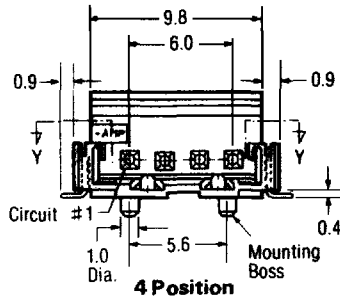
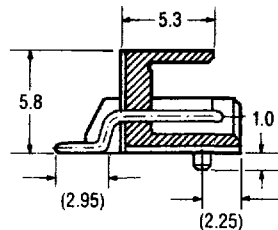
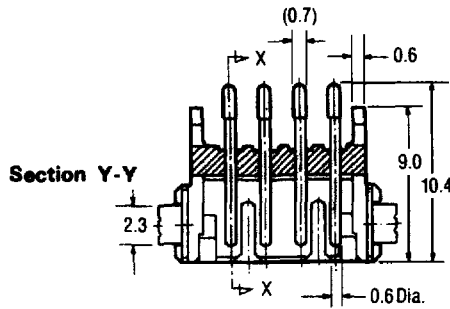
Post Header Assemblies (For MT and Crimp Type)

Box Type SMT

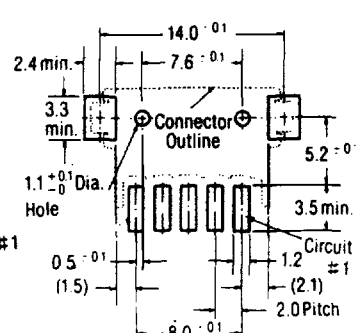
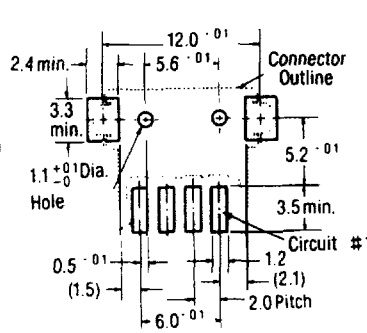
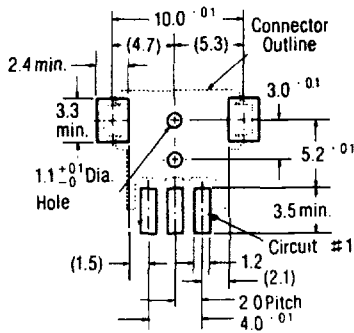
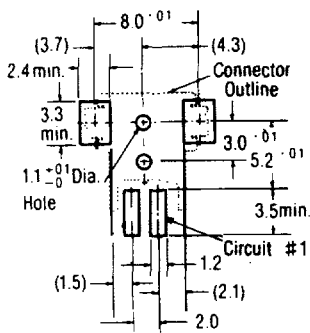
**Horizontal Mount Type
With Fixing Plate and
Mounting Bosses**

Material and Finish:

Housing—UL94V-0
rated, glass-filled PPS
Post Contact—Tin-lead
plated brass



PC Board Layout



| No. of Pos. | Part Number of Post Header Assembly/Emboss Tape Mounted* | ea. |
|-------------|--|-----|
| 2 | 179123-2 | 500 |
| 3 | 179123-3 | 500 |
| 4 | 179123-4 | 500 |
| 5 | 179123-5 | 500 |
| 6 | 179123-6 | 500 |

*The color of housing is black. Available natural color.
For details contact our Sales Department.

**Wire to Board Connectors
AMP CT (Common Termination) Connectors System
Post Header Assemblies (For MT and Crimp Type)**

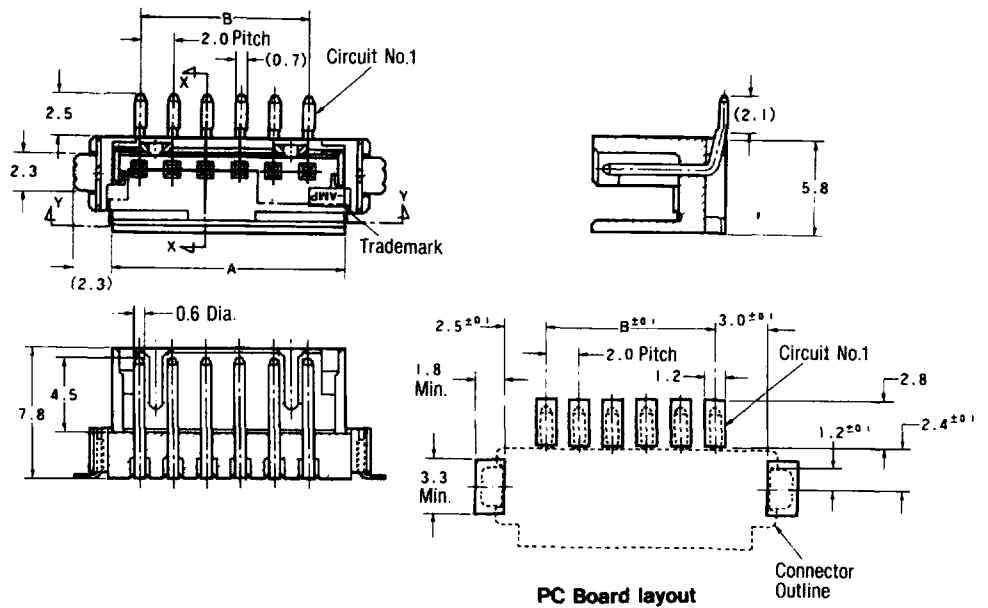
Box Type SMT

**Vertical Mount Type
without Mounting Bosses**

Material and Finish:

Housing—UL94V-0 rated,
glass-filled PPS natural
Contact—Tin-lead plated
brass
Plate—Brass, tin-plated

Product Specifications:
108-5218



| No. of Pos. | Dimensions | | Part Number of Post Header Assembly with Emboss Tape | ea. |
|-------------|------------|------|--|-----|
| | A | B | | |
| 4 | 10.0 | 6.0 | 917514-4 | 700 |
| 6 | 14.0 | 10.0 | 917514-6 | 700 |

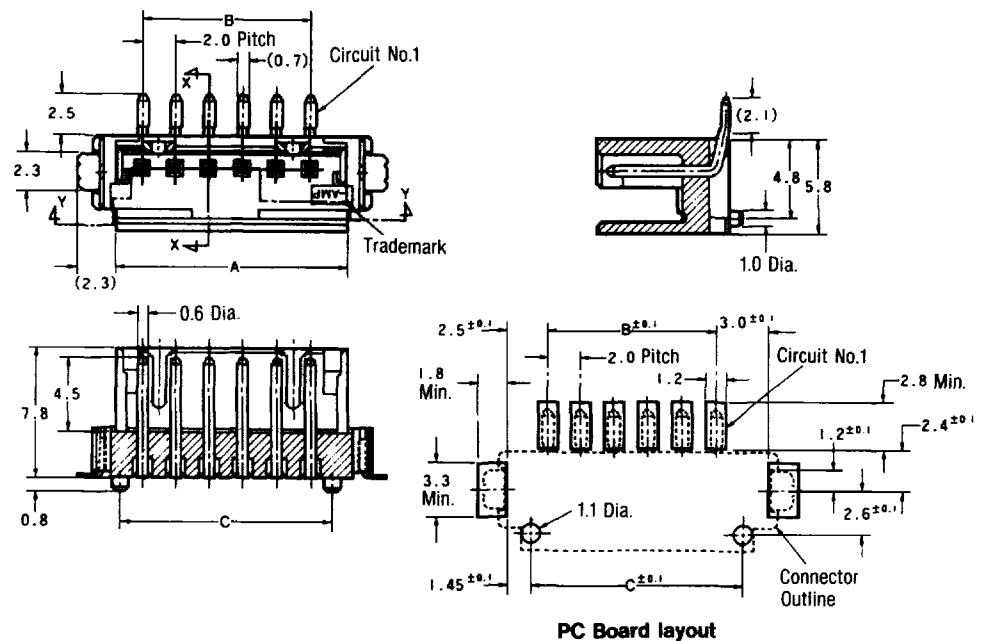
Box Type SMT

**Vertical Mount Type
with Mounting Bosses**

Material and Finish :

Housing—UL94V-0 rated,
glass-filled PPS natural
Contact—Tin-lead plated
brass
Plate—Brass, tin-plated

Product Specifications:
108-5218



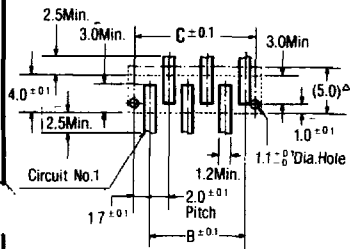
| No. of Pos. | Dimensions | | | Part Number of Post Header Assembly with Emboss Tape | ea. |
|-------------|------------|------|------|--|-----|
| | A | B | C | | |
| 4 | 10.0 | 6.0 | 8.6 | 316168-4 | 700 |
| 6 | 14.0 | 10.0 | 12.6 | 316168-6 | 700 |

Wire to Board Connectors AMP CT (Common Termination) Connectors System Post Header Assemblies (For MT and Crimp Type)

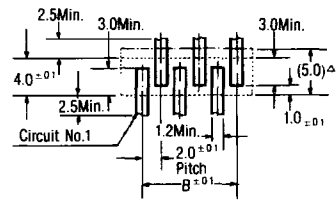
**Standard Type SMT
Post Header
Assemblies
(PC Board Application
Side)**

**Vertical Mount Type
(with or without
Mounting Bosses)**

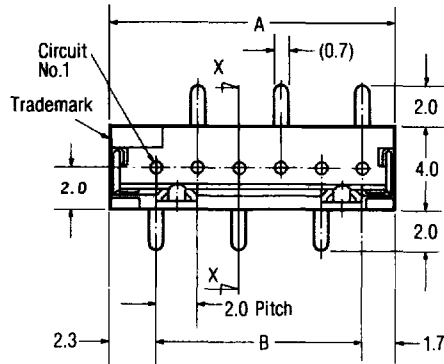
Material and Finish:
Housing—UL94V-0 rated,
PPS Glass-filled, black
Post Contact—Pre-tin brass



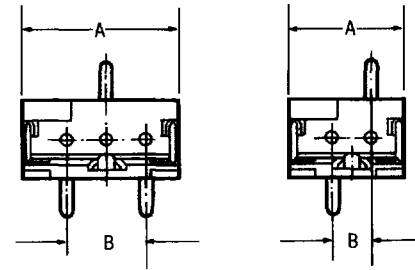
**PC Board Layout
(without mounting bosses)**



**PC board Layout
(without mounting bosses)**



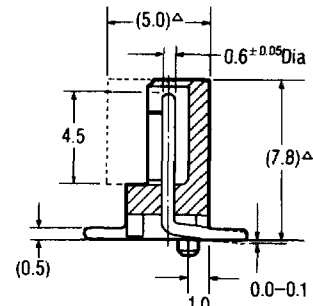
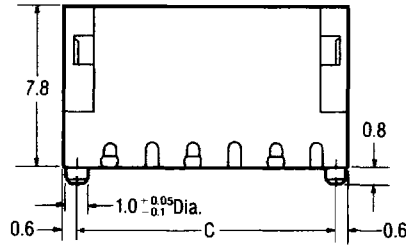
4-9 Positions



3 Position

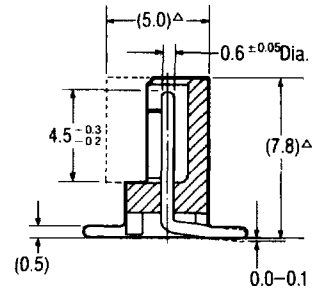
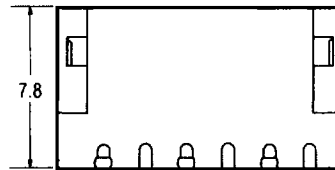
2 Position

With Mounting Bosses



Section X-X

Without Mounting Bosses



Section X-X

| No. of Pos. | Dimensions | | | Part Number of Post Header Assembly/Stick Packed | | ea. |
|-------------|------------|------|------|--|-------------------------|-----|
| | A | B | C | With Mounting Bosses | Without Mounting Bosses | |
| 2 | 6.0 | 2.0 | 4.8 | 176125-2 | 177622-2 | 80 |
| 3 | 8.0 | 4.0 | 6.8 | 176125-3 | 177622-3 | 60 |
| 4 | 10.0 | 6.0 | 8.8 | 176125-4 | 177622-4 | 45 |
| 5 | 12.0 | 8.0 | 10.8 | 176125-5 | 177622-5 | 40 |
| 6 | 14.0 | 10.0 | 12.8 | 176125-6 | 177622-6 | 30 |
| 7 | 16.0 | 12.0 | 14.8 | 176125-7 | 177622-7 | 30 |
| 8 | 18.0 | 14.0 | 16.8 | 176125-8 | 177622-8 | 25 |
| 9 | 20.0 | 16.0 | 18.8 | 176125-9 | 177622-9 | 20 |

*The color of housing is black. Available natural color.
For details contact our Sales Department.

4

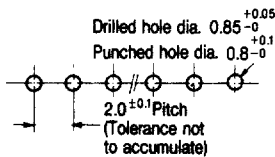
Wire to Board Connectors AMP CT (Common Termination) Connector System Post Header Assemblies (For MT and Crimp Type)

Standard Type Post Header Assemblies (PC Board Application Side)

Horizontal Mount Type

Materials and Finishes:

Housing—UL94V-0 rated,
6/6 Nylon, natural color
Post Contact—Tin plated
brass



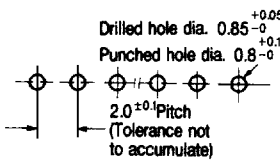
PC Board Layout

(Acceptable board thickness:
0.8~1.6mm)

Vertical Mount Type

Materials and Finishes:

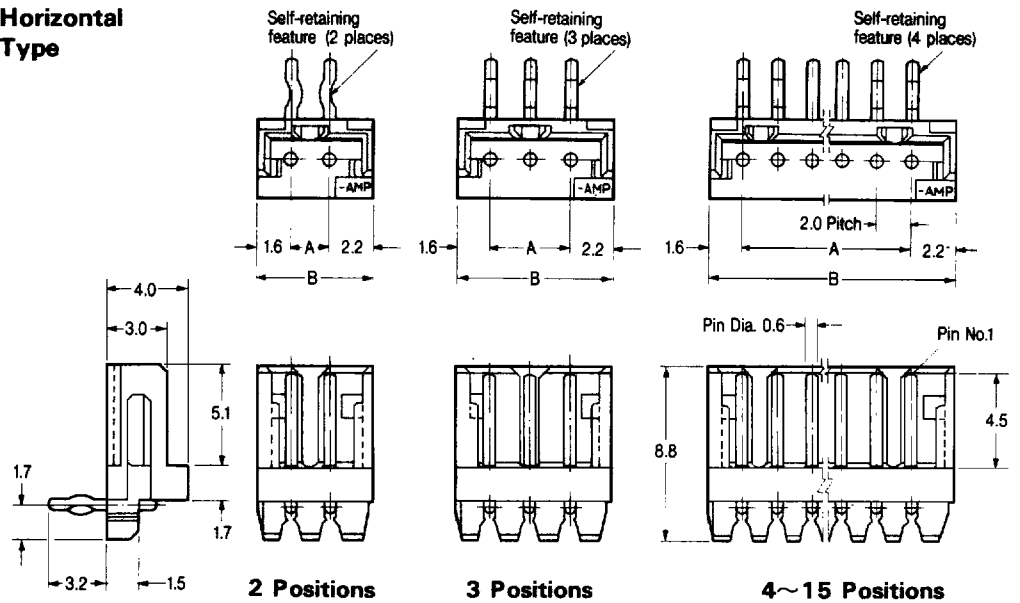
Housing—UL94V-0 rated,
6/6 Nylon, natural color
Post Contact—Tin plated
brass



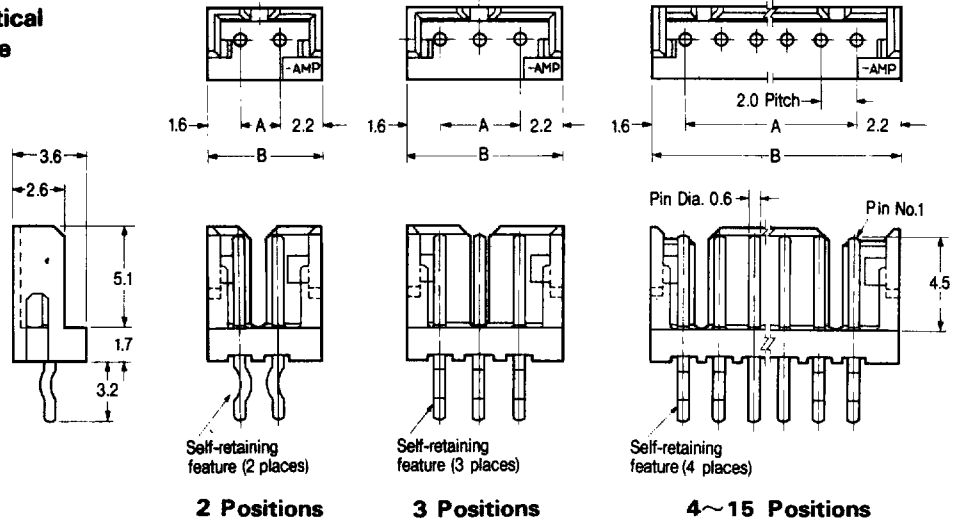
PC Board Layout

(Acceptable board thickness:
0.8~1.6mm)

Horizontal Type



Vertical Type



| No. of Pos. | Dimensions | | Part No. of Post Header Assembly* | |
|-------------|------------|------|-----------------------------------|----------------|
| | A | B | Horizontal Mount | Vertical Mount |
| 2 | 2.0 | 5.8 | 173979-2 | 173981-2 |
| 3 | 4.0 | 7.8 | 173979-3 | 173981-3 |
| 4 | 6.0 | 9.8 | 173979-4 | 173981-4 |
| 5 | 8.0 | 11.8 | 173979-5 | 173981-5 |
| 6 | 10.0 | 13.8 | 173979-6 | 173981-6 |
| 7 | 12.0 | 15.8 | 173979-7 | 173981-7 |
| 8 | 14.0 | 17.8 | 173979-8 | 173981-8 |
| 9 | 16.0 | 19.8 | 173979-9 | 173981-9 |
| 10 | 18.0 | 21.8 | 1-173979-0 | 1-173981-0 |
| 11 | 20.0 | 23.8 | 1-173979-1 | 1-173981-1 |
| 12 | 22.0 | 25.8 | 1-173979-2 | 1-173981-2 |
| 13 | 24.0 | 27.8 | 1-173979-3 | 1-173981-3 |
| 14 | 26.0 | 29.8 | 1-173979-4 | 1-173981-4 |
| 15 | 28.0 | 31.8 | 1-173979-5 | 1-173981-5 |

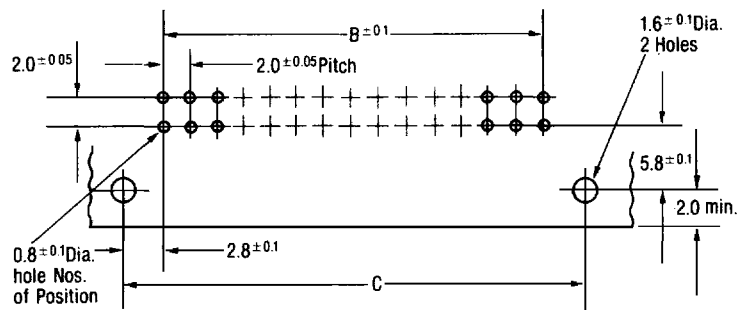
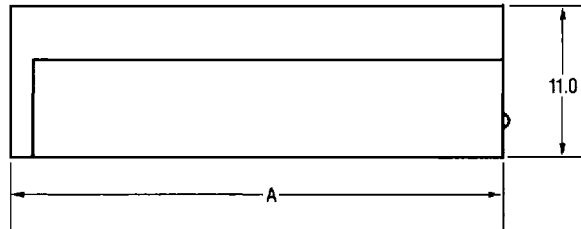
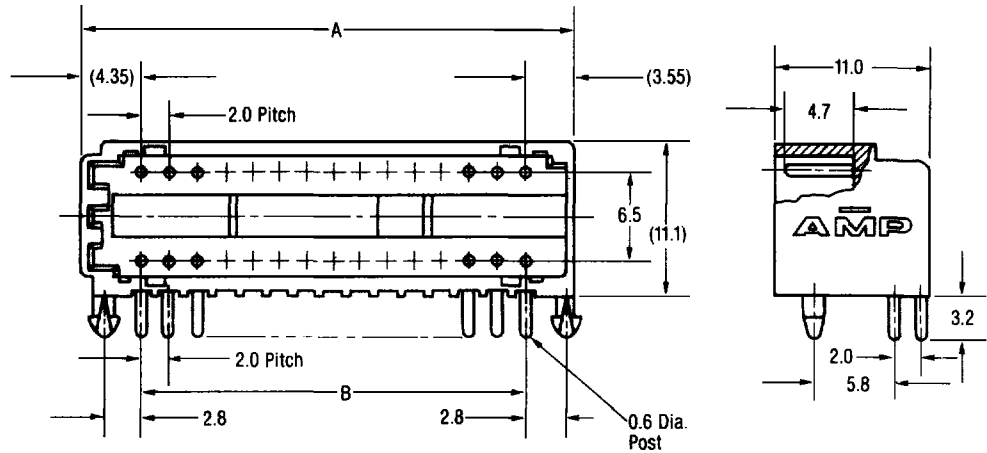
*The color of housing is natural. Other colors available include blue, yellow and black. For details contact our Sales Department.

Wire to Board Connectors
AMP CT (Common Termination) Connector System
Double Row Arrangement Type Post Headers

Horizontal Mount Type
(Board Application Side)

Material and Finish:

Housing—UL94V-0 rated,
 6/6nylon, natural color
 Post Contact—Tim plated
 brass



PC Board Layout

| No. of Pos. | Dimensions | | | Part Number of Post Header* |
|-------------|------------|------|------|-----------------------------|
| | A | B | C | |
| 16 | 21.9 | 14.0 | 19.6 | 1-176421-6 |
| 18 | 23.9 | 16.0 | 21.6 | 1-176421-8 |
| 20 | 25.9 | 18.0 | 23.6 | 2-176421-0 |
| 22 | 27.9 | 20.0 | 25.6 | 2-176421-2 |
| 24 | 29.9 | 22.0 | 27.6 | 2-176421-4 |
| 26 | 31.9 | 24.0 | 29.6 | 2-176421-6 |
| 28 | 33.9 | 26.0 | 31.6 | 2-176421-8 |
| 30 | 35.9 | 28.0 | 33.6 | 3-176421-0 |

*The color of housing is natural. Other colors available include blue, yellow and black.
 For details contact our Sales Department.

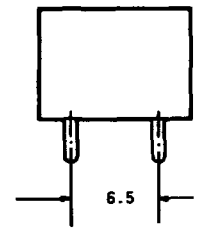
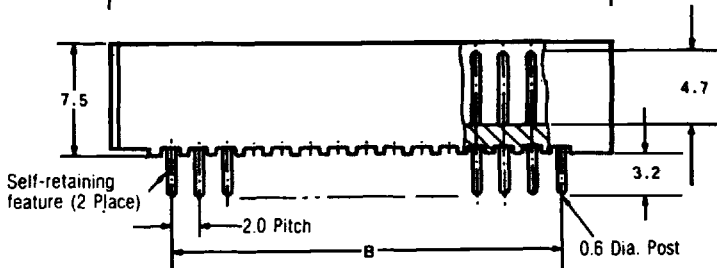
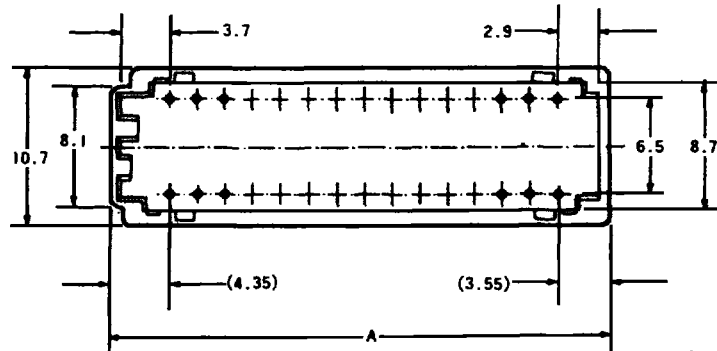
Wire to Board Connectors
AMP CT (Common Termination) Connector System
Double Row Arrangement Type Post Header (Cont'd)

Vertical Mount Type
without and with Polarizing Bosse
 (Board Application Side)

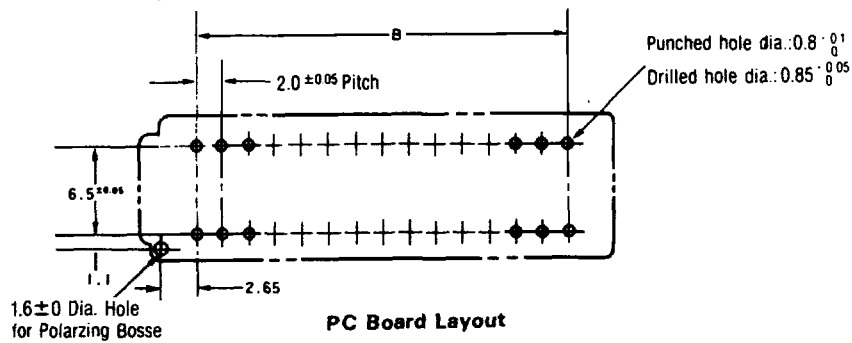
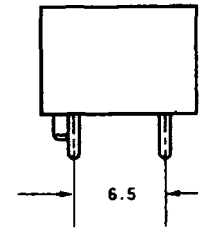
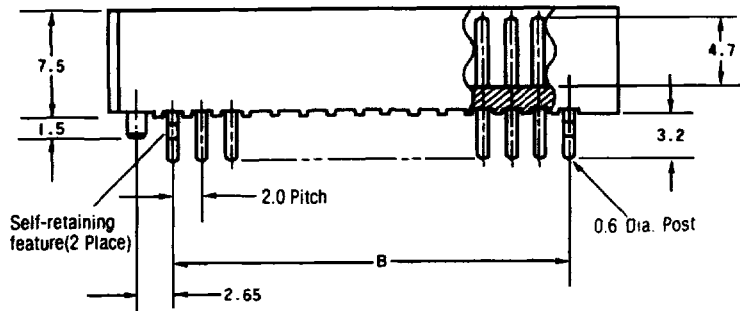
Material and Finish:

Housing—UL94V-0 rated, 66 nylon, see chart color
 Post Contact—Tin plated brass

without Bosse



with Bosse



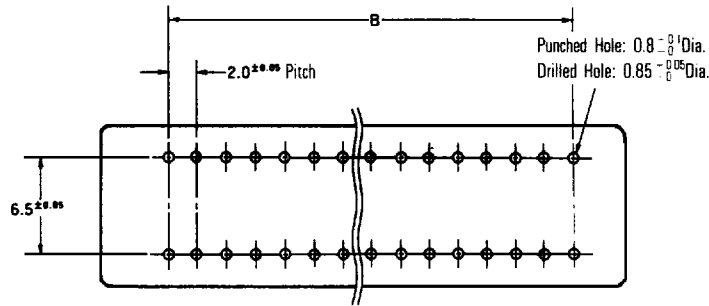
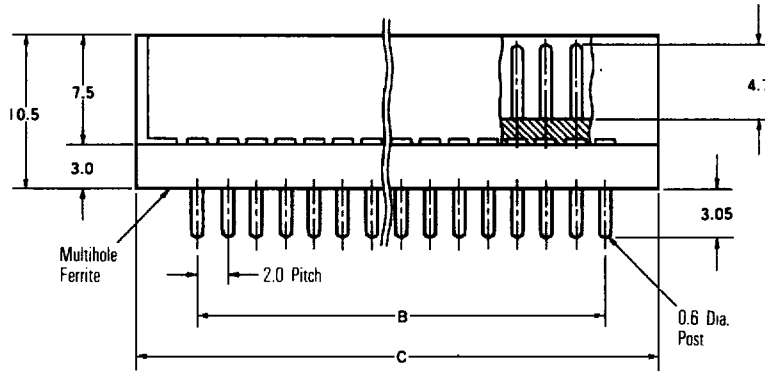
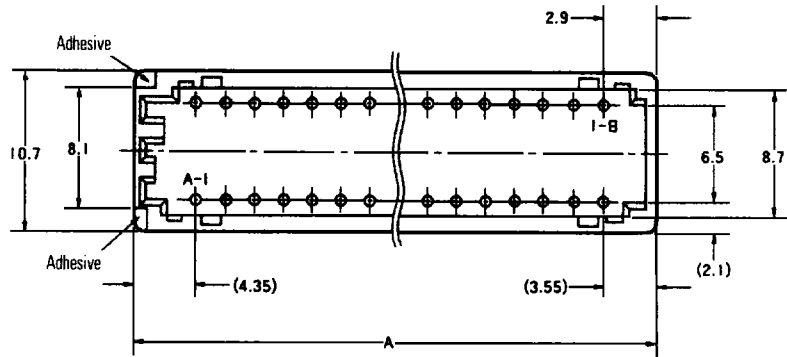
| No. of Pos. | Dimensions | | Part No. of Post Header | |
|-------------|------------|------|--------------------------|-----------------------|
| | A | B | Without Polarizing Bosse | With Polarizing Bosse |
| 16 | 21.9 | 14.0 | 1-175132-6 | 1-178342-6 |
| 18 | 23.9 | 16.0 | 1-175132-8 | 1-178342-8 |
| 20 | 25.9 | 18.0 | 2-175132-0 | 2-178342-0 |
| 22 | 27.9 | 20.0 | 2-175132-2 | 2-178342-2 |
| 24 | 29.9 | 22.0 | 2-175132-4 | 2-178342-4 |
| 26 | 31.9 | 24.0 | 2-175132-6 | 2-178342-6 |
| 28 | 33.9 | 26.0 | 2-175132-8 | 2-178342-8 |
| 30 | 35.9 | 28.0 | 3-175132-0 | 3-178342-0 |

* The color of housing is natural. Other colors available include blue, yellow and black.
 For details contact our Sales Department.

Wire to Board Connectors
AMP CT (Common Termination) Connector System
Double Row Arrangement Type Post Headers(Cont'd)

Vertical Mount Type with Filtered without Polarizing Bosse (Board Application Side)

Material and Finish:
 Housing—UL94V-0 rated, 6/6 Nylon, natural
 Post Contact—Tin plated brass



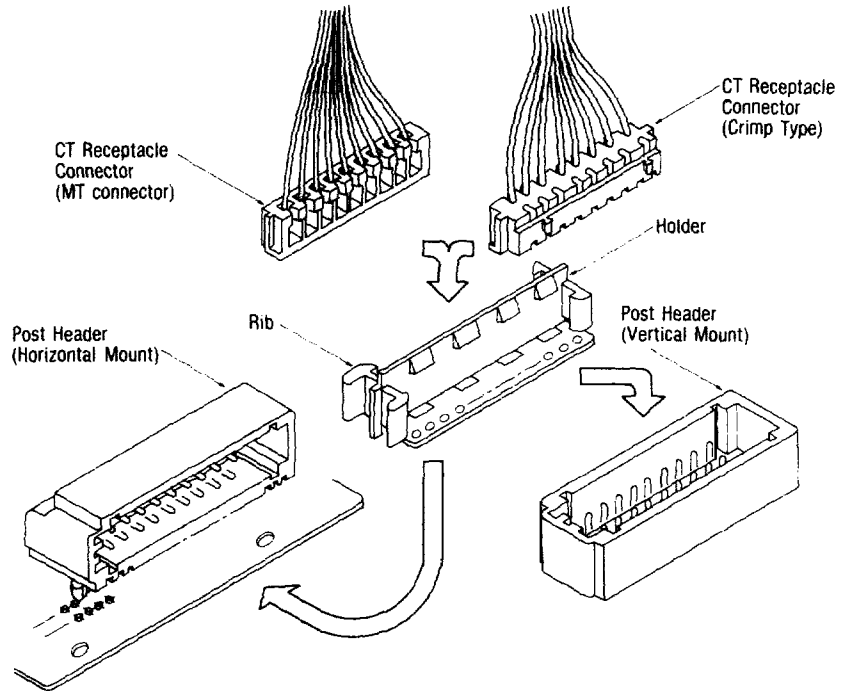
PC Board Layout

| No. of Pos. | Dimensions | | | Part Number of Post Header |
|-------------|------------|------|------|----------------------------|
| | A | B | C | |
| 16 | 21.9 | 14.0 | 21.9 | 1-178860-6 |
| 24 | 29.9 | 22.0 | 29.9 | 2-178860-4 |

4

**Wire to Board Connectors
AMP CT (Common Termination) Connector System
Double Row Arrangement**

Mating Figure



Receptacle Connector Captivating Holder (Wire Application Side)

Material: 6/6nylon

Two insulation displacement receptacles or crimping receptacles are applied onto this holder to provide a receptacle connector that can mate with a double-row post header

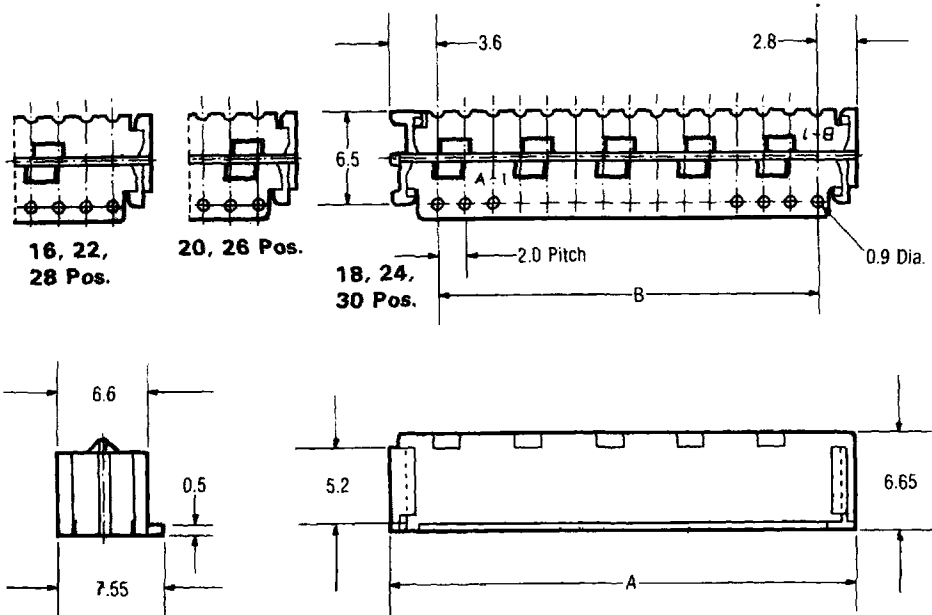
Applicable connectors are MT connectors or other crimping type connectors. Two of these connectors or a combination of them are applied onto the holder.

*The color of housing is natural. Other colors available include blue, yellow and black.

For details contact our Sales Department.

For receptacle connectors, refer to sections on MT connectors and crimp-type connectors.

* *As to receptacle connectors, two pieces each are required per holder.



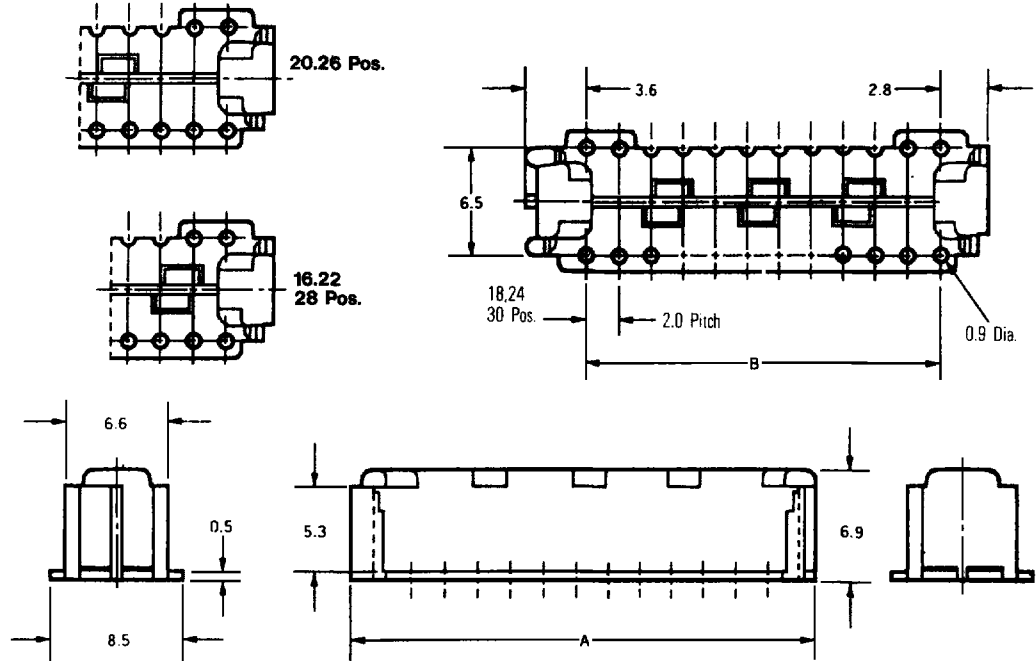
| No. of Pos. | Dimensions | | Part No. of Holder* | Part No. of Applicable Connector* | |
|-------------|------------|------|---------------------|-----------------------------------|---------------------|
| | A | B | | MT connector** | Crimp Type Conn. ** |
| 16 | 20.3 | 14.0 | 1-175133-6 | 173977-8 | 175778-8 |
| 18 | 22.3 | 16.0 | 1-175133-8 | 173977-9 | 175778-9 |
| 20 | 24.3 | 18.0 | 2-175133-0 | 1-173977-0 | 1-175778-0 |
| 22 | 26.3 | 20.0 | 2-175133-2 | 1-173977-1 | 1-175778-1 |
| 24 | 28.3 | 22.0 | 2-175133-4 | 1-173977-2 | 1-175778-2 |
| 26 | 30.3 | 24.0 | 2-175133-6 | 1-173977-3 | 1-175778-3 |
| 28 | 32.3 | 26.0 | 2-175133-8 | 1-173977-4 | 1-175778-4 |
| 30 | 34.3 | 28.0 | 3-175133-0 | 1-173977-5 | 1-175778-5 |

Wire to Board Connectors AMP CT (Common Termination) Connector System Double Row Arrangement

Receptacle Connector Captivating Holder Reinforced Retention Connectors Type (Wire Application Side)

(Applicable connectors are MT connectors and crimp-type receptacle connectors.)

Material: 66 nylon, natural



| No. of Pos. | Dimensions | | Part Number of Holder | Part Number of Applicable Connector* | |
|-------------|------------|------|-----------------------|--------------------------------------|------------------------|
| | A | B | | MT Connector** | Crimp Type Connector** |
| 16 | 20.3 | 14.0 | 1-179608-6 | 173977-8 | 175778-8 |
| 18 | 22.3 | 16.0 | 1-179608-8 | 173977-9 | 175778-9 |
| 20 | 24.3 | 18.0 | 2-179608-0 | 1-173977-0 | 1-175778-0 |
| 22 | 26.3 | 20.0 | 2-179608-2 | 1-173977-1 | 1-175778-1 |
| 24 | 28.3 | 22.0 | 2-179608-4 | 1-173977-2 | 1-175778-2 |
| 26 | 30.3 | 24.0 | 2-179608-6 | 1-173977-3 | 1-175778-3 |
| 28 | 32.3 | 26.0 | 2-179608-8 | 1-173977-4 | 1-175778-4 |
| 30 | 34.3 | 28.0 | 3-179608-0 | 1-173977-5 | 1-175778-5 |

*The color of housing is natural. Other colors available include blue, yellow and black.

For details contact our Sales Department.

For receptacle connectors, refer to sections on MT connectors and crimp-type connectors.

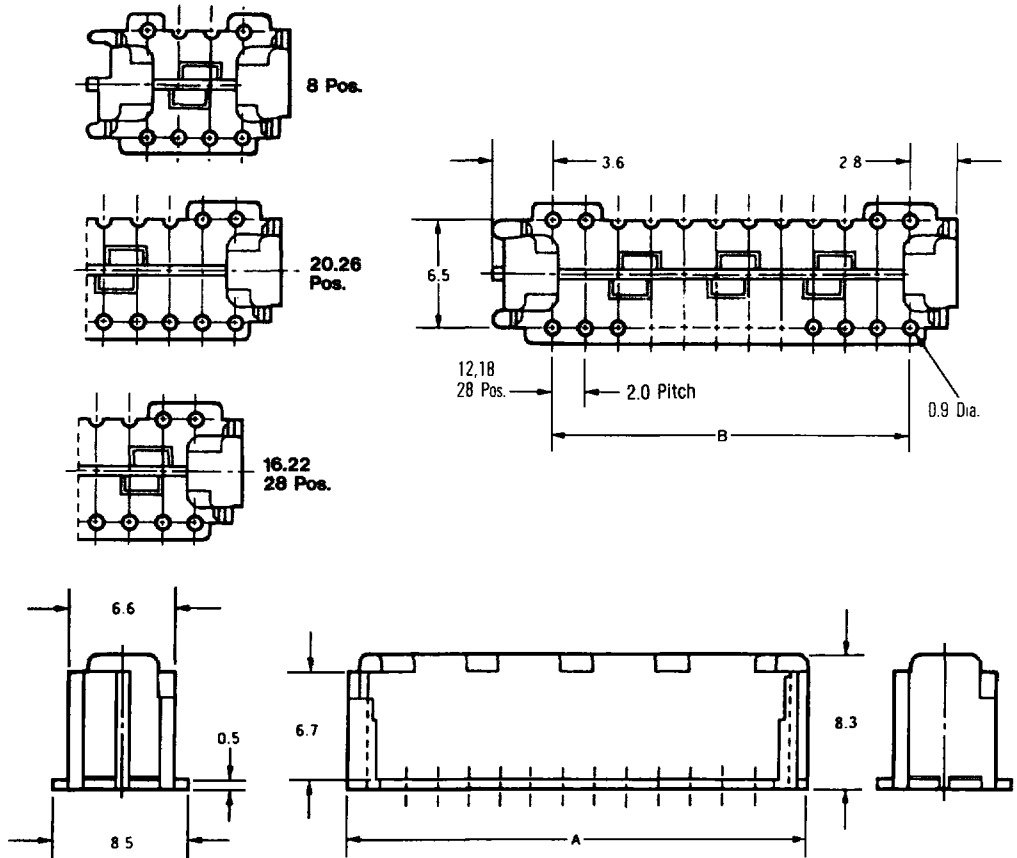
** As to receptacle connectors, two pieces each are required per holder.

Wire to Board Connectors AMP CT (Common Termination) Connector System Double Row Arrangement

Receptacle Connector Captivating Holder Reinforced Retention Connectors Type (Wire Application Side)

(Applicable connectors are crimp-type II receptacle connectors.)

Material: 66 nylon, natural



| No. of Pos. | Dimensions | | Part Number of Holder* | Part Number of Applicable Connector* Crimp Type II Connector** |
|-------------|------------|------|------------------------|---|
| | A | B | | |
| 8 | 12.3 | 6.0 | 179472-8 | 179228-4 |
| 12 | 16.3 | 10.0 | 1-179472-2 | 179228-6 |
| 16 | 20.3 | 14.0 | 1-179472-6 | 179228-8 |
| 18 | 22.3 | 16.0 | 1-179472-8 | 179228-9 |
| 20 | 24.3 | 18.0 | 2-179472-0 | 1-179228-0 |
| 22 | 26.3 | 20.0 | 2-179472-2 | 1-179228-1 |
| 24 | 28.3 | 22.0 | 2-179472-4 | 1-179228-2 |
| 26 | 30.3 | 24.0 | 2-179472-6 | 1-179228-3 |
| 28 | 32.3 | 26.0 | 2-179472-8 | 1-179228-4 |
| 30 | 34.3 | 28.0 | 3-179472-0 | 1-179228-5 |

* The color of housing is natural. Other colors available include blue, yellow and black.

For details contact our Sales Department.

For receptacle connectors, refer to sections on crimp-type II connectors.

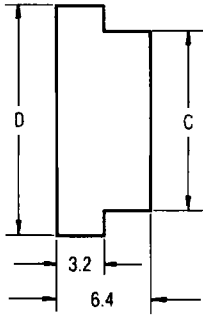
** As to receptacle connectors, two pieces each are required per holder.

Wire to Board Connectors AMP CT (Common Termination) Connector System Post Header Assemblies (For MT and Crimp Type)

For Translation Post Header Assembly (Panel Mounting Side)

Material and Finish:

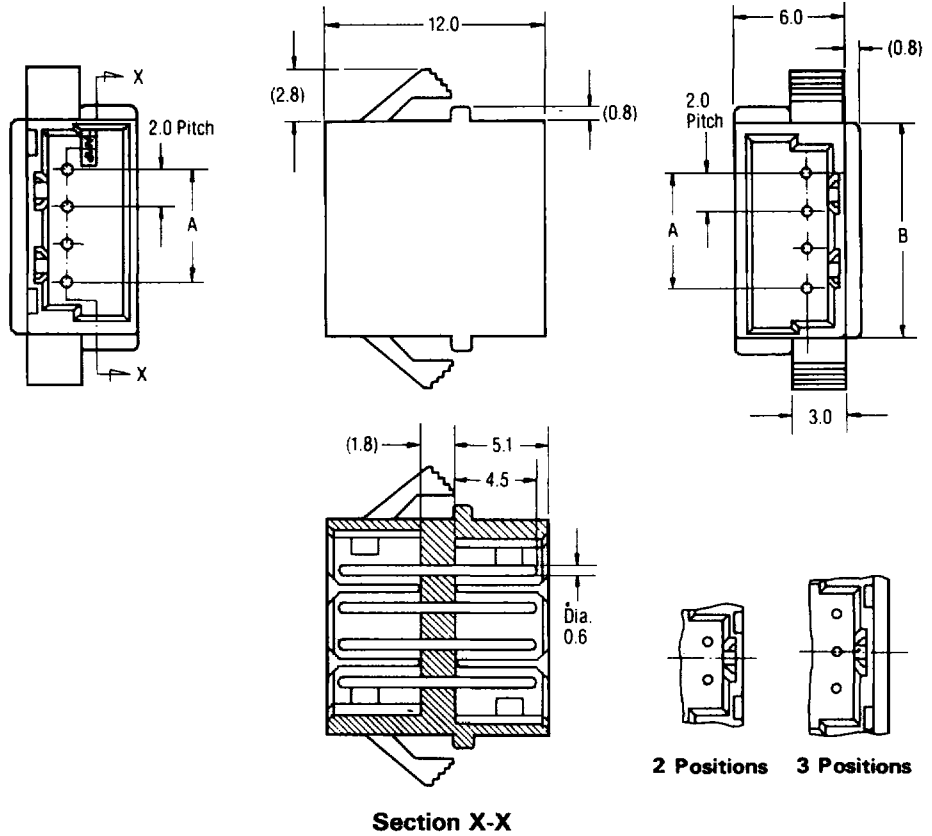
Housing—UL94V-0 rated,
6/6 nylon, see chart for
color
Post Contact—Pretinned
brass



Panel Cutout

(Nominal tolerance ± 0.1)

(Acceptable panel thickness:
0.8~1.6mm)



Section X-X

| Number of Position | Dimensions | | | | Part No. of Post Header* |
|--------------------|------------|------|------|------|--------------------------|
| | A | B | C | D | |
| 2 | 2.0 | 7.8 | 7.9 | 11.6 | 175694-2 |
| 3 | 4.0 | 9.8 | 9.9 | 13.6 | 175694-3 |
| 4 | 6.0 | 11.8 | 11.9 | 15.6 | 175694-4 |
| 5 | 8.0 | 13.8 | 13.9 | 17.6 | 175694-5 |
| 6 | 10.0 | 15.8 | 15.9 | 19.6 | 175694-6 |
| 7 | 12.0 | 17.8 | 18.0 | 21.6 | 175694-7 |
| 8 | 14.0 | 19.8 | 20.0 | 23.6 | 175694-8 |
| 9 | 16.0 | 21.8 | 22.0 | 25.6 | 175694-9 |
| 10 | 18.0 | 23.8 | 24.0 | 27.6 | 1-175694-0 |
| 11 | 20.0 | 25.8 | 26.0 | 29.6 | 1-175694-1 |
| 12 | 22.0 | 27.8 | 28.0 | 31.6 | 1-175694-2 |
| 13 | 24.0 | 29.8 | 30.0 | 33.6 | 1-175694-3 |
| 14 | 26.0 | 31.8 | 32.0 | 35.6 | 1-175694-4 |
| 15 | 28.0 | 33.8 | 34.0 | 37.6 | 1-175694-5 |

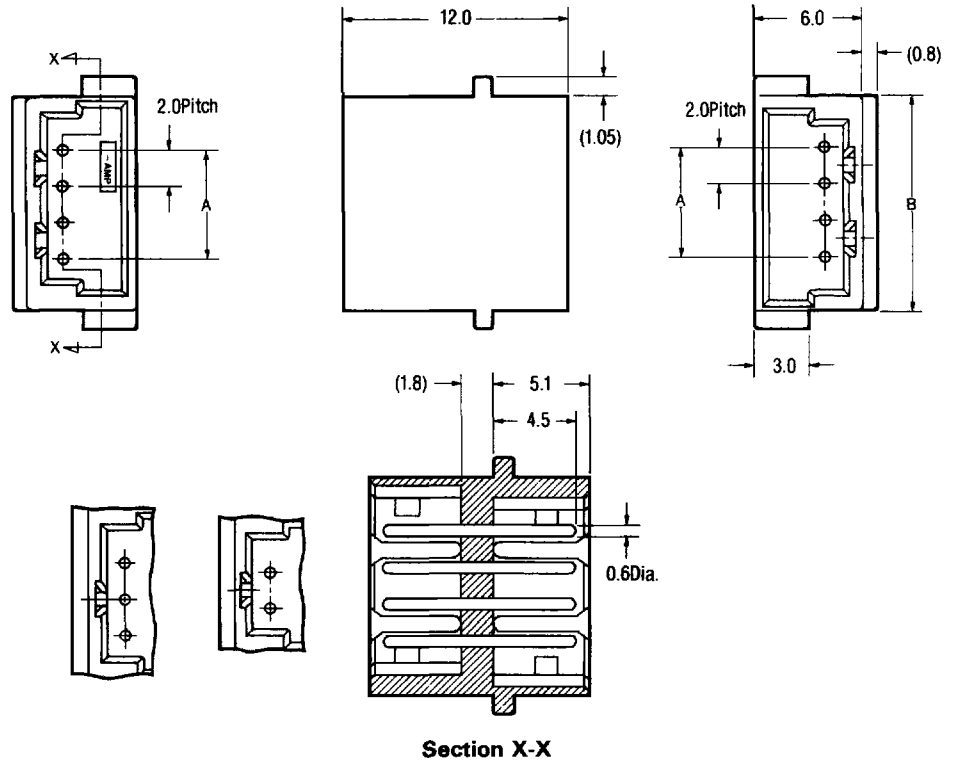
* The color of housing is natural. Other colors available include blue, yellow and black.
For details contact our Sales Department.



Wire to Board Connectors AMP CT (Common Termination) Connectors System Post Header Assemblies (For MT and Crimp Type)

For Translation Post Header Assembly (Free-Hanging)

Material and Finish :
Housing—UL94V-0 rated,
6/6 Nylon, natural color
Post Contact—Tin-lead,
brass



| No. of Pos. | Dimension | | Part Number of Post Header Assembly* |
|-------------|-----------|------|--------------------------------------|
| | A | B | |
| 2 | 2.0 | 7.8 | 177978-2 |
| 3 | 4.0 | 9.8 | 177978-3 |
| 4 | 6.0 | 11.8 | 177978-4 |
| 5 | 8.0 | 13.8 | 177978-5 |
| 6 | 10.0 | 15.8 | 177978-6 |

*The color of housing is natural. Other colors available include blue, yellow and black.
For details contact our Sales Department.

Wire to Board Connectors
AMP CT (Common Termination) Connector System
CT Card-Edge Connectors

For 6-Position and 8-Position

CT Card-Edge Connectors mate with the board edge at the front end and with wired CT receptacle connectors at the rear end.

Material and Finish:

Housing—Glass filled P.B.T., black
 Contact—Copper alloy, tin-lead over nickel under-plated

Performance Data

Voltage rating: 125V AC

Current rating:

1A allowable current;
 2A/PIN(at rated level for one hour)

Low level resistance:

30mΩ max. (initial)

Withstanding Voltage:

1,000V AC/one minute

Insulation resistance:

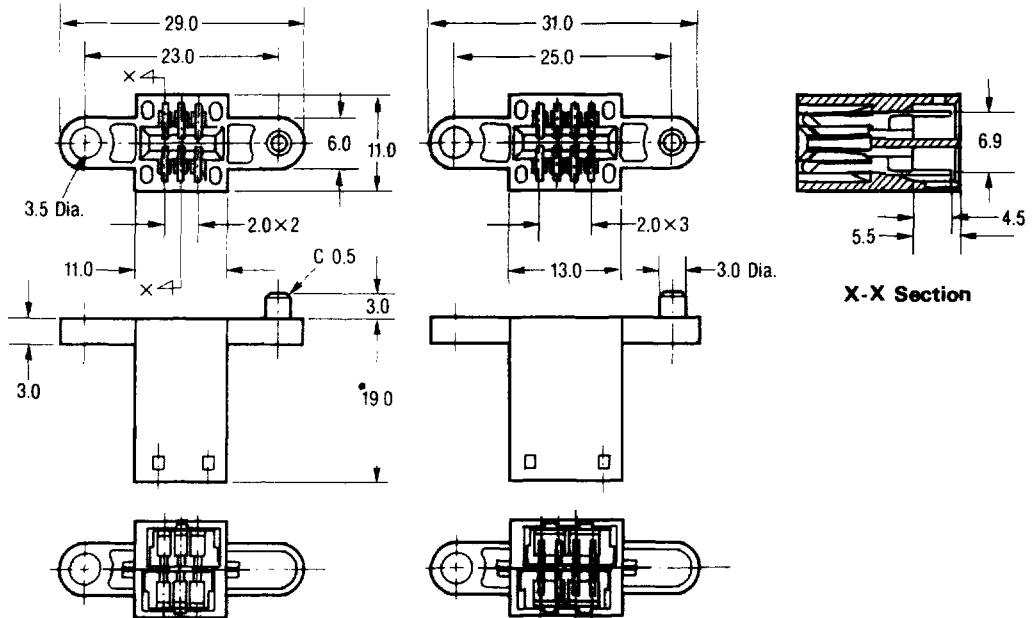
1,000MΩ min. (initial)

Operating temperature:

-30~+105°C(includes temperature rise)

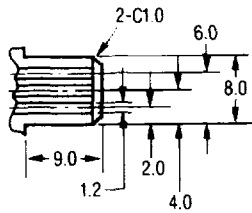
Product Specification:

108-5341

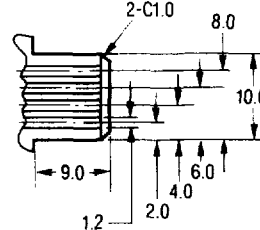


For 6-Position

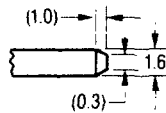
For 8-Position



Applicable PC Board Dimension For 6-Position



Applicable PC Board Dimension For 8-Position



Acceptable board thickness (Edge)

| No. of Pos. | Part Number of Edge Connector | Part Number of Mating Receptacle Connector* | |
|-------------|-------------------------------|---|--------------------------------|
| | | MT Connector** | Crimp Type Connector Housing** |
| 6 | 178217-1 | 173977-3 | 175778-3 |
| 8 | 178217-2 | 173977-4 | 175778-4 |

*The color of mating housing of natural. Other colors available include blue, yellow and black. For details contact our Sales Department. For receptacle connectors, refer to sections on MT connectors and crimp-type connectors.

**As to receptacle connectors, two pieces each are required per card-edge connector.



Wire to Board Connectors AMP CT (Common Termination) Connector System Mini-Drawer Connectors

For 14 and 22 Position

Mini-Drawer Connectors mate with Mini-Drawer connectors at the front end and accept CT receptacle connectors at the rear end.

Material and Finish:
Housing—Glass-filled P.B.T., plastic, black
Contact—Phosphor bronze, gold plated on contact area, tin-lead on post area, with entire contact underplated nickel

Performance Data

Voltage rating: 125V ACmax.

Current rating: 2A max.
(when ambient temperature is below 60°C)

Low level resistance:

20mΩ max. (initial)
30mΩ max. (final)

Withstanding Voltage:

1,000V AC/one minute

Insulation resistance:

1,000MΩ min. (initial)
100MΩ min. (final)

Operating temperature:

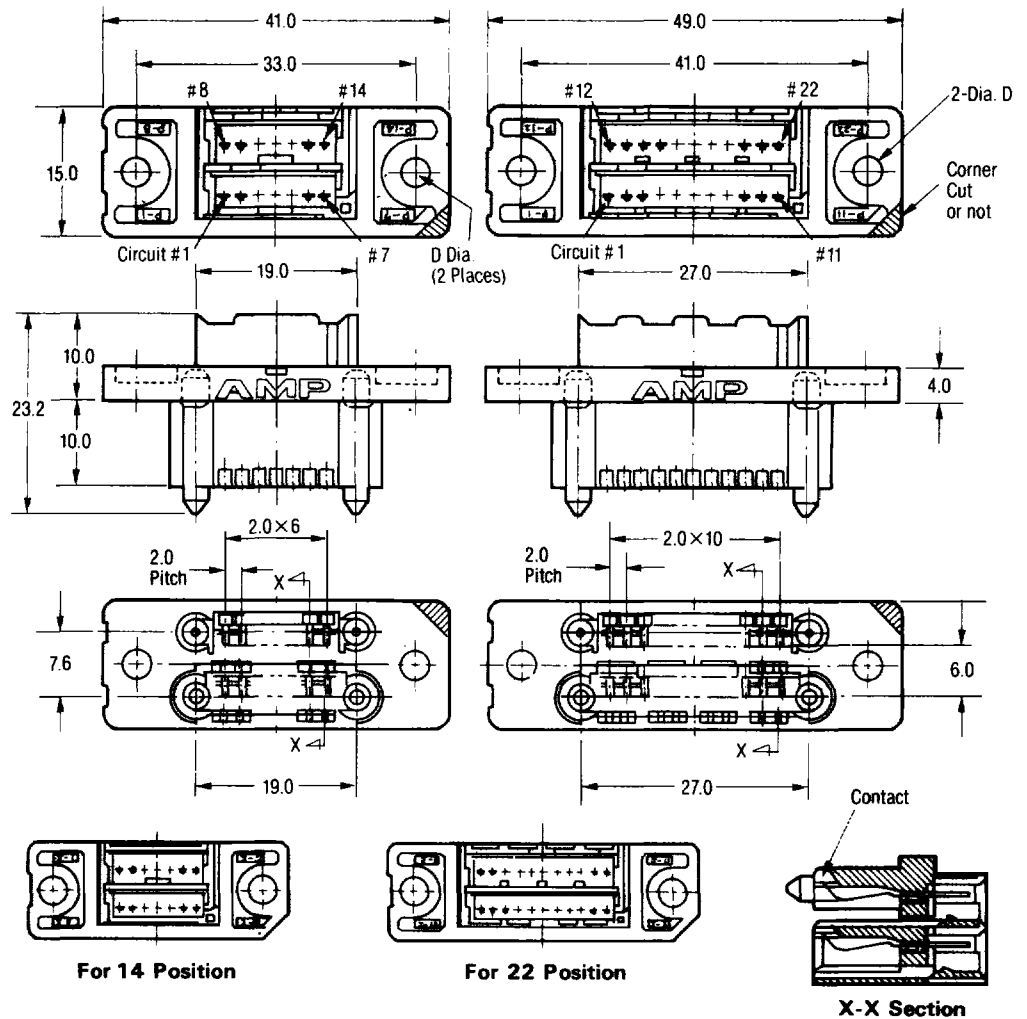
-20~+105°C (includes temperature rise)

Product Specification:

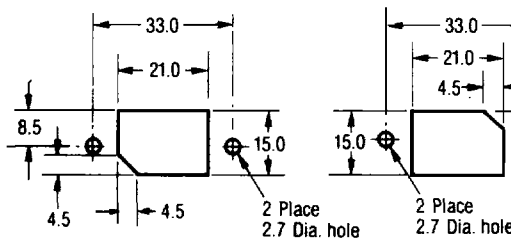
108-5308

Instruction Sheet:

IS-538J



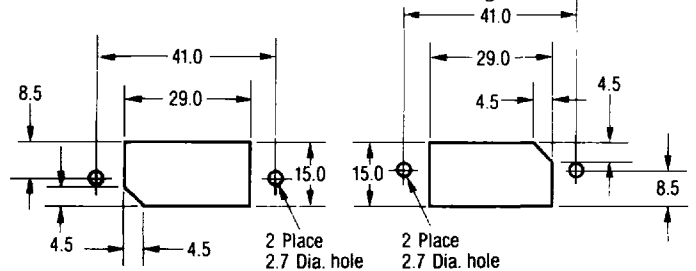
For 14 Position
Panel Cutout (connector mounting side)



Movable Side

Fixed Side

For 22 Position
Panel Cutout (connector mounting side)



Movable Side

Fixed Side

Extraction tool available for extracting CT connectors inserted into drawer connectors.

Extraction Tool No.:

915144-1 (for 14 position)

915143-1 (for 22 position)

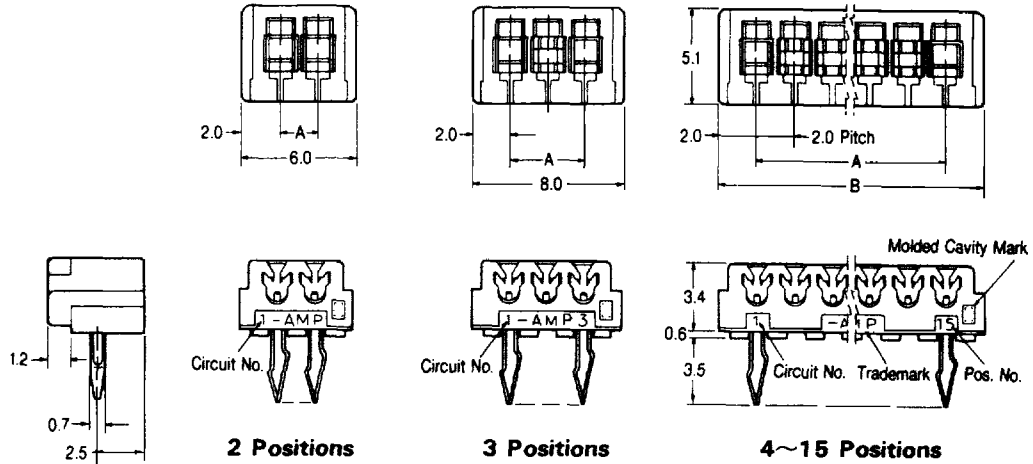
| No. of Pos. | Type of Housing | Part Number of Mini-Drawer Connector | Tapped Hole Diameter D | Corner Cut | Number of mated CT Connector's Positions (per row) |
|-------------|-----------------|--------------------------------------|------------------------|------------|--|
| 14 | Fixed Side | 176496-1 | 3.4 | --- | 7 |
| | Movable Side | 5-176496-1 | 4.4 | Cut | |
| 22 | Fixed Side | 176445-1 | 3.4 | --- | 11 |
| | Movable Side | 5-176445-1 | 4.4 | Cut | |

Wire to Board Connectors
AMP CT (Common Termination) Connector System
MT AMP-IN Header <2mm Pitch>

Horizontal Mount Type

Materials and Finishes:
 Housing—UL94V-0 rated,
 glass-filled P.B.T.,
 cream yellow
 Contact—Pre-tinned
 phosphor bronze

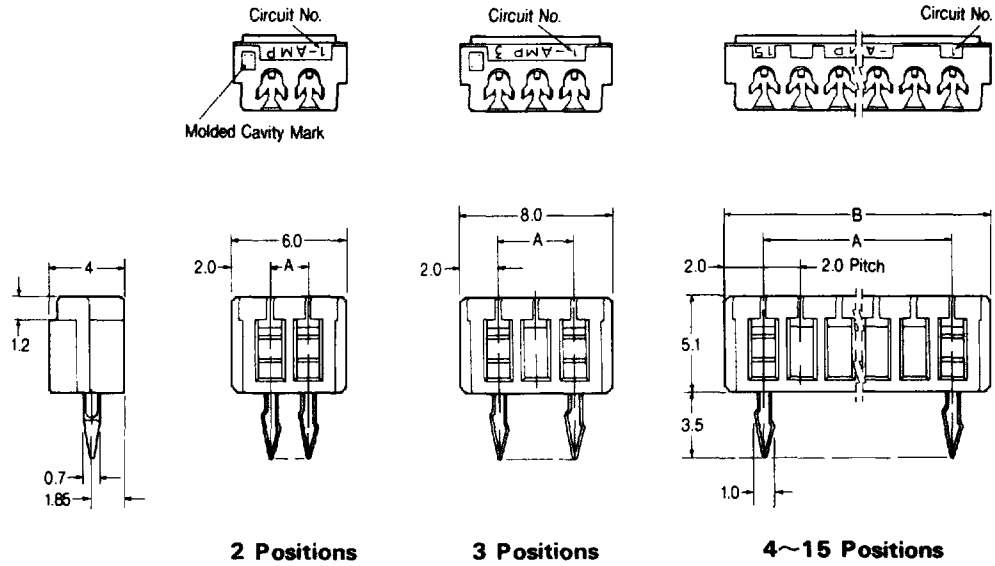
Wire Size: AWG # 28-26
 (0.08~0.15mm²)
Insulation Dia.: 0.85~1.05mm



Vertical Mount Type

Materials and Finishes:
 Housing—UL94V-0 rated,
 glass-filled P.B.T.,
 light blue
 Contact—Pre-tinned
 phosphor bronze

Wire Size: AWG # 28-26
 (0.08~0.15mm²)
Insulation Dia.: 0.85~1.05mm



Drilled hole dia. $0.85^{+0.05}_0$
 Punched hole dia. $0.8^{+0.1}_0$
 $2.0^{+0.1}$ Pitch
 (Tolerance not to accumulate)

PC Board Layout

(Acceptable board thickness
 0.8~1.6mm)

| No. of Pos. | Dimensions | | Part No. of AMP-IN Header | |
|-------------|------------|------|---------------------------|----------------|
| | A | B | Horizontal Mount | Vertical Mount |
| 2 | 2.0 | 6.0 | 2-173983-2 | 2-173985-2 |
| 3 | 4.0 | 8.0 | 2-173983-3 | 2-173985-3 |
| 4 | 6.0 | 10.0 | 2-173983-4 | 2-173985-4 |
| 5 | 8.0 | 12.0 | 2-173983-5 | 2-173985-5 |
| 6 | 10.0 | 14.0 | 2-173983-6 | 2-173985-6 |
| 7 | 12.0 | 16.0 | 2-173983-7 | 2-173985-7 |
| 8 | 14.0 | 18.0 | 2-173983-8 | 2-173985-8 |
| 9 | 16.0 | 20.0 | 2-173983-9 | 2-173985-9 |
| 10 | 18.0 | 22.0 | 3-173983-0 | 3-173985-0 |
| 11 | 20.0 | 24.0 | 3-173983-1 | 3-173985-1 |
| 12 | 22.0 | 26.0 | 3-173983-2 | 3-173985-2 |
| 13 | 24.0 | 28.0 | 3-173983-3 | 3-173985-3 |
| 14 | 26.0 | 30.0 | 3-173983-4 | 3-173985-4 |
| 15 | 28.0 | 32.0 | 3-173983-5 | 3-173985-5 |



Wire-to-Board Connectors AMP CT (Common Termination) Connector System Application Toolings/For Insulation Displacement Crimp

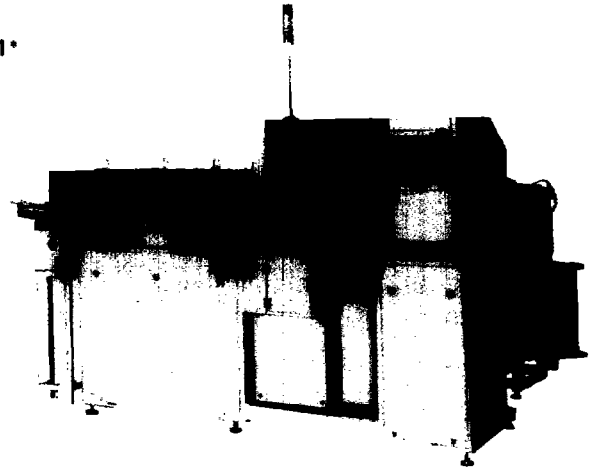
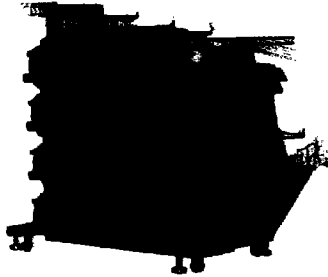
AUTO-DECAM Model V

This unit is fully insulation displacement crimping machine of the latest design that is capable of producing at the world's fastest speed a variety of multi-harnesses widely used on business machines and other equipment.

Its features include:

- The world's fastest production rate = Uses Rotary Index that can feed connectors at a cycle time of mere 4.7 seconds.
- Allows production of plural multi-harnesses = can fabricate double-ended multi-harnesses with 15 positions terminated from 32 wires (34 routes).
- Reduction of programming = Equipped with Conversion Template as the standard unit, the machine can quickly convert assemblies using a high-speed Rotary Index.
- Machine concept ensures high termination quality = The machine is available with Harness Checker as the standard unit (to detect

Part No.: Body=**918942-1** 50/60Hz
Wire Stand=**919202-1***
Strip Unit=**919200-1***
Taping Unit=**919201-1***
(* Option)



open/short/cross circuits). Also equipped with an automatic ejector of improper harnesses.

- Memory contains data of up to 100 harness configurations = Data on various harness configurations can be stored in the machine to meet diverse production requirements.
- RS-232C Interface is provided.
- Simple input and output of data by Touch Panel.

Harness circuit no.: ①-N
(Left to right reversible circuit connection)

Applicable cable: Discrete wire as per UL-1061, 1571 AWG #28, 26

Air Supply: 5~6kgf/cm²

Power:
Body—200V AC ± 15V, 3 phase, 30A
Wire Warmer—200V AC ± 15V, 1 phase, 20A

Option:

Wire Stand
Strip Unit
Taping Unit

Machine Weight:

Body—1,000kg Approx.
Connector Auto-loading—150kg Approx. (L/E)
800kg Approx. (T/E)

Machine Dimension:

Width 560cm
Depth 330cm
Height 150cm

AUTO-DECAM Model IV-A

This unit is a fully automatic Insulation displacement crimping machine capable of producing multi-harnesses of up to 20 discrete wires. Main features of the unit include:

- Equipped with Harness Checker as the standard unit) detect open/short/cross circuits).
- Memory contains data of up to 75 harness configurations = Data on various harness configurations can be stored in the machine to meet diverse production requirements.
- RS-232 Interface is provided.
- Many options available, enabling to produce a variety of special harnesses such as ones with one end of wire stripped and the other end taped.

- Simple input and output of data by Touch Panel.

Part No.:
Body=**918082-1**
50Hz / 60Hz

Wire Stand=
758448-5*

Applicator Kit=
918085-1*

L/E Changeable Kit=
2-908747-1*

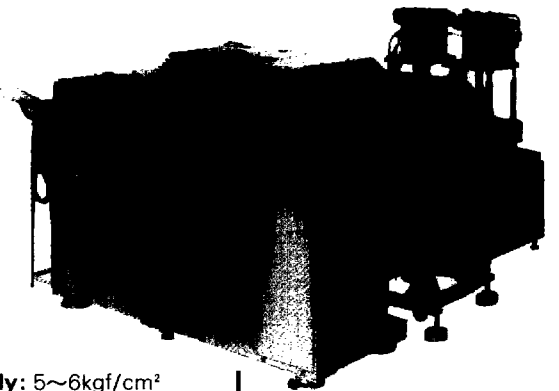
(Wire Stripping Unit and In-Out Tray)

L / E Changeable Kit =
2-908747-2*

Wire Strip Unit and In-Out Tray)
(* Option)

Harness Circuit Nos.: ①-N
(Left to right reversible circuit connection)

Applicable Cable:
Discrete Wire
UL-1061, 1571, AWG#28-26



Air Supply: 5~6kgf/cm²

Power:
Body—200V AC ± 15V, 3 phase, 30A
Wire Warmer—200V AC ± 15V, 1 phase, 20A

Option:

L/E Side (right side) Unit
(Can be optioned depending on harness requirements)
L / E Changeable Kit.
Wire Stand
Template

Machine Weight:

Body—800kg Approx.
Connector Auto-loading—150kg Approx. (L/E)
800kg Approx. (T/E)

Machine Dimension (includes connector feeder):

Width 240cm
Depth 335cm
Height 150cm

Wire-to-Board Connectors

AMP CT (Common Termination) Connector System

Application Toolings — For Insulation Displacement Crimp

DECAM* D-1A and D-NA

Applicable Cable:

Discrete wire
UL-1061,1571, AWG #28, 26

Air Supply: 5kg/cm² 250N l./min.

Power: 200V AC 3phase, 20A

Wire Lead Length: 20~1,000mm

Option: Wire Stand

Part No. 911474-1(for 50Hz)

Part No. 911474-2(for 60Hz)

Machine Weight:

700kg Approx. (body)

150kg Approx. (connector feeder)

200kg Approx. (wire stand)

Machine Dimension:

Body—Width 93cm

Length 210cm

Height 170cm

Wire stand—Width 50cm

Length 120cm

Height 1,325cm

Note: D-NA (2m harness)

Specifications are of the same dimensions.

DECAM D-1A

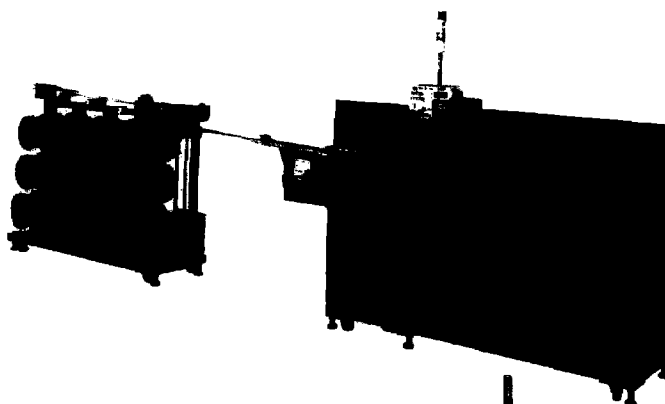
Part Nos. 913595-3(for 50Hz)

913595-4(for 60Hz)

Harness Circuit Nos.:

①-① and ①-Strip

Same circuit nos. are connected together.



DECAM D-NA

Body part No.:

<For "1m" harness>

915748-1(50Hz)

1-915748-1(60Hz)

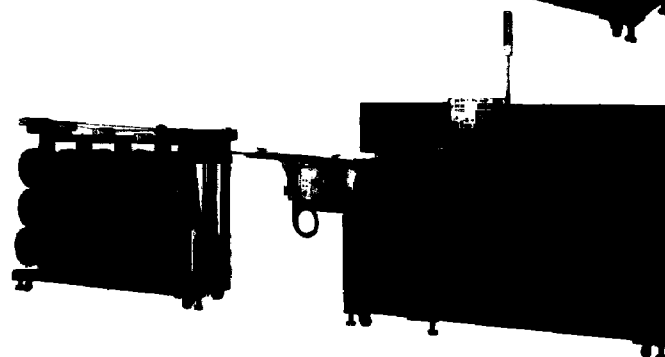
<For "2m" harness>

919023-1(50Hz)

1-919023-1(60Hz)

Harness Circuit Nos.:

①-N and ①-Strip



DECAM BR-1

Applicable Cable:

Ribbon Cable with parallel conductors on 1.0mm centerline as par UL20058, AWG #28 26

Air Supply: 5kg/cm²

Power: 200V AC 3 phase, 30A

Option: (Order separately)

Wire Stand

Part No. 914397-1(for 50Hz)

Part No. 914397-2(for 60Hz)

Pitch Conversion

Part No.: □-914583-□

Machine Weight:

1,000kg Approx.(body)

150kg Approx. (connector feeder)

Machine Dimension:

Body—Width 180cm

Length 270cm

Height 165cm

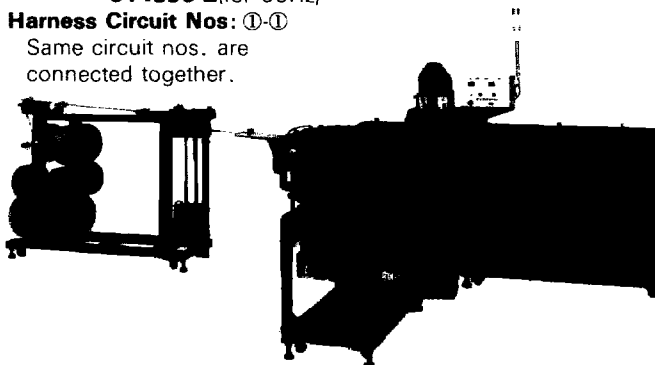
(includes connector feeder)

Part Nos. 914396-1(for 50Hz)

914396-2(for 60Hz)

Harness Circuit Nos.: ①-①

Same circuit nos. are connected together.



DECAM ER-1

Applicable Cable:

Ribbon cable with parallel conductors; 3~12 conductors, as par UL-2651, AWG # 26

(With multi-conductor cable, there are cables which cannot be applied due to accumulated tolerance of pitch spacings. We recommend that you contact our Sales Department for details.)

Air Supply: 5kg/cm²

Power: 200V AC ±15V, 3 phase, 20A

Option.:

Wire Stand

Part Number:

913565-1(60Hz)

913565-2(50Hz)

Machine Weight:

700kg Approx. (body)

100kg Approx. (connector feeder)

Machine Dimension(includes connector feeder):

Body—Width 260cm

Depth 160cm

Height 165cm

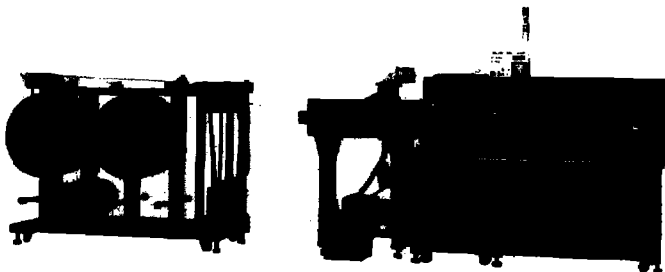
(The total length required is approx. 480cm including wire stand.)

Part Number 913562-1(60Hz)

913562-2(50Hz)

Harness Circuit No.: ①-Strip or kink

One end of wire kinked, one end of wire stripped and one end of wire partially stripped.



Wire-to-Board Connectors

AMP CT (Common Termination) Connector System

Application Toolings/For Insulation Displacement Crimp

DECAM* FS-IP and FS-NP

DACAM FS-IP

Air Supply: 6kg/cm²
Power: 200V AC ± 15V, 3 phase, 30A Approx. (includes wire stand)

Machine Weight:
 1,000kg Approx.(body)
 150kg Approx.(connector feeder)

Machine Dimension(includes connector feeder):
 Body—Width 270cm
 Depth 180cm
 Height 165cm
 (The total length required is approx. 650cm including wire stand.)

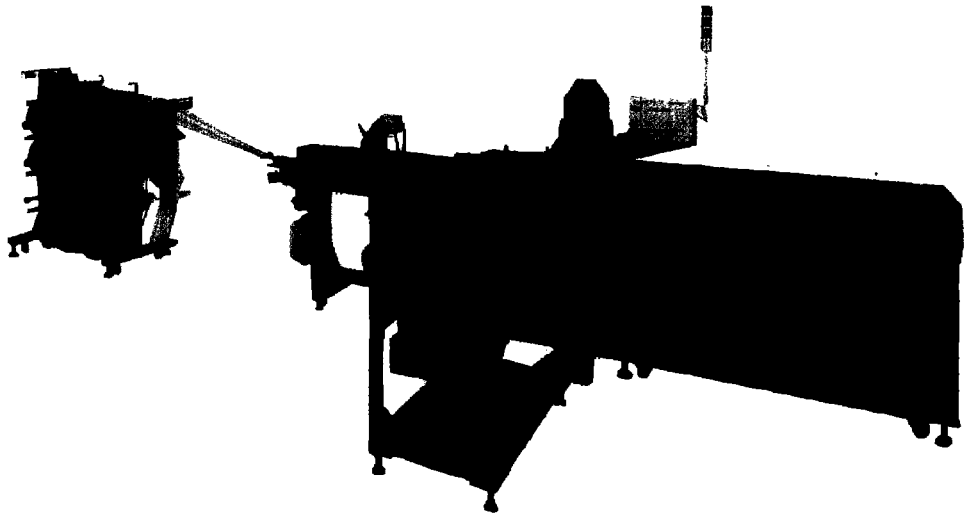
Body Part No.:
909371-8(for 60Hz)
909371-9(for 50Hz)

Harness Circuit Nos.: ①-①
 Same circuit nos. are connected together.

Applicable Cable:

Copper foil flat shielded cable as per UL-1691, 2791, AWG # 26
 Discrete wire as per UL-1061, 1571, AWG#26
 *This machine applies copper foil flat shielded cable only, or alternatey, can be used to produce a mixed harness of flat shielded cable and discrete wire. In the latter case, a variety of options are required and we recommend that you submit to us a sketch of the harness you intend to make before proceeding to operations.

Option(Order separately):
Part No. : 911499-□
 (clamp kit)
Part No. : 758448-6
 (wire Stand)
 (50/60Hz common use)



DECAM FS-NP

Air Supply: 6kg/cm²
Power: 200V AC ± 15V, 3 phase, 30A Approx. (includes wire stand)

Machine weight:
 1,200kg (body) Approx.
 150kg Approx.(connector feeder)

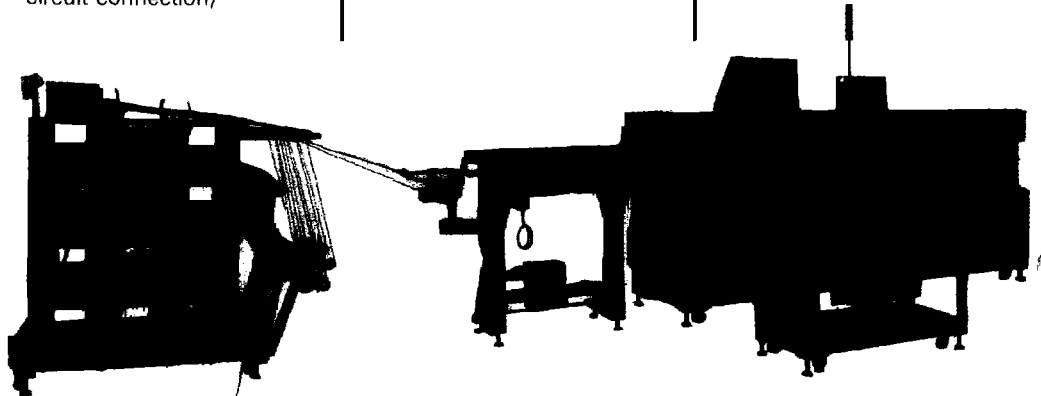
Machine Dimension(includes connector feeder):
 Body—Width 470cm
 Depth 180cm
 Height 165cm
 (The total length required is approx. 750cm including wire stand.)

Body Part No.:
915903-1(for 50Hz)
1-915903-1(for 60Hz)
Harness Circuit Nos.: ①-N
 (Left to right reversible circuit connection)

Applicable Cable:

Aluminun flat shielded cable

Option:
 Wire Stand
Part No. 758448-7
 (50/60Hz common use)















Wire to Board Connectors

AMP CT (Common Termination) Connector System

Application Toolings/Insulation Displacement Crimp

"AMP DECAM Series" to meet All Harness Production Requirements

| Harness Configuration | | Auto DECAM V | Auto DECAM IV-A | DECAM for Discrete Wire | DECAM for Bonded Ribbon Cable | DECAM for Flat Shield Cable | DECAM for 2mm Pitch Extrude Cable |
|--|--|---|--|---|--|--|---|
| 1 | Harness with both ends terminated (1-N) |  | |  Type 1m: 20-1000m Type 2m: 20-1000m DN-A | — |  FS-NP | — |
| 2 | Harness with both ends terminated (1-1) | — | |  20~1,000mm D-1A |  BR-1 | — | — |
| 3 | Harness with both ends terminated and other connector combined (changeable) |  | | — | — | — | — |
| 4 | Multi-harness with both ends terminated and stepped lead length combined (combination of different or same pos.) |  | | — | — | — | — |
| 5 | Harness with both ends terminated and the other end stripped and cut off |  | |  | — | — | — |
| 6 | Harness with one end terminated and the other end taped |  | | — | — | — | — |
| 7 | Harness with both ends terminated: using a mixture of copper foil flat shielded cable and discrete wire | — | | — | — |  FS-IP | — |
| 8 | 1)Harness with one end of wire kinked 2)Harness with one end of wire stripped 3)Harness with one wire end of wire partially stripped | — | | — | — | — |  ER-1 |
| Applicable wire sizes (AWG #) | | UL-1061,1571 26/28 | | UL-1061,1571 26/28 | UL-20058 26/28 | UL-1691,2791(26) UL-1061,1571(26) | UL-2651(26) 2~12 conductors |
| Features of Machine | Length of applicable harness leads | Both end | 120~2,000 | — | 105~1,000 | 90~1,000 | — |
| | One end stripped | 40~2,000 | 30~975 | — | — | — | 80~1,000 |
| No. of wire sets (maximum numbers/cycle) | | 32wires | 20wires | 24wires | 6-conductor 4 cables, max. (See machine spec.) | 12 Single-shield cables, max. (See machine spec.) | 12-conductor 2 cables, max. (See machine spec.) |
| Quality check functions | | Conductivity check function Crimping depth detection Self-diagnosis function Automatic ejector of improper harnesses | Conductivity check function Crimping depth detection Self-diagnosis function | Conductivity check function Self-diagnosis function | Conductivity check function Self-diagnosis function | Conductivity check function Self-diagnosis function | Self-diagnosis function |



When using AMP DECAM Series connectors, consult with our Sales Department beforehand to select the type best suited to your specific harness configuration.

Wire-to-Board Connectors AMP CT (Common Termination) Connector System Application Toolings/

<For Insulation Displacement>

Pistol Grip Hand Tool

Crimp Kit part No.: 911790-1



Hand Press

Crimp Part No.: 909372-1



Mini Press

Part No.: 759980-3



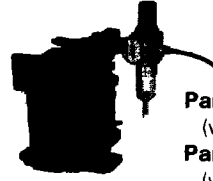
Air Mini Press

Part No.: 909190-1
(works by butting wires)

Part No.: 909190-2
(works by cutting off wires)

Harness Circuit Nos.:
Random

Applicable Cable:
Discrete Wire



<For Crimp>

AMP-O-LECTRIC*JJ-1 Semi Automatic Crimping Bench Machine

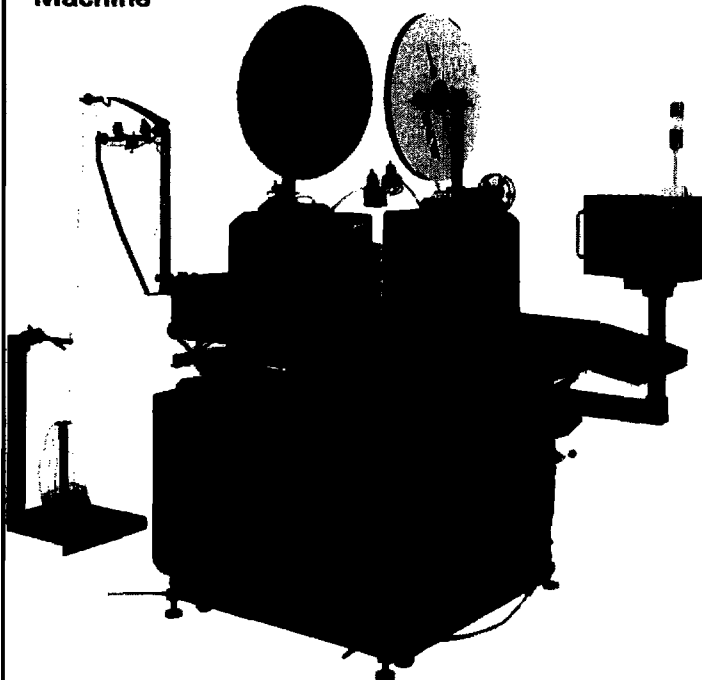
Part Numbers:
914717-1 (Mecha-feed)



AMP-O-LECTRIC Model JJ-1 Semi-Automatic Crimping Machine is a low-noise bench-top machine, featuring compact design and light-weight construction. This JJ-1 Crimping Machine is offered in two types, Mecha-feed and Air-feed types. Various mini-applicators currently in use can be used as they stand.

Applicable Terminals:
 ● Various open-barrel terminals or connector contacts.
 ● Terminals' crimping barrels to be less than 4mm.
Applicable Wire:
 AWG#28-24 (0.08-2.00mm²)
Machine Dimension:
 Width 350mm/Depth 380mm
 Height 490mm
 (not including reel stand)
Machine Weight: 63kg

AMP Advanced Lead Maker AL-15 Machine Fully Automatic Double-Ended Cable Assembly Machine



Part Numbers
Base Machine:
 715804-1 (with label in Japanese)
 1-715804-1 (with label in English)
Paper Doreeler (used to take up carrier paper):
 914719-2

Wire Doreeler : 914341-1
Wire Collecting Unit NBL-35"
 (Minimum lead length : 90mm)
 715809-1
Wire Bundling Unit ABM-S40"
 (Used along with Wire Collecting Unit):
 715810-1

Voltage Changing Transformer 715811-1

Long Conveyor (1m, 2m): 715814-1, 715814-2

(An easy-to-use tray, about 600mm long, is available for use when alignment is necessary.)

A miniaturized version of the conventional namesake equipment, this is a fully automatic double-ended cable assembly machine with easy-to-operate capabilities. It is provided with a variety of accessories to meet wide-ranging application requirements.

Features:

- Programming time is reduced.
- Loaded with Auto-Strip System, the operator can easily perform setting, changing an d adjustment of stripping lengths, nicking depths and crimping positions on the operator's panel. Also, by storing up to 250 sets of these processing data before hand and accessing to them by work numbers, he can start production quickly.
- Stripping operation is precise and stable. Stripping lengths and crimping positions can be set in 0.1mm increments.
- Crimping positions can be adjusted up to 6mm in both forward and backward directions. Nicking depths can be set in two stages and precision-adjusted in 0.01mm increments.

- Low noise.
- Wire waste is eliminated completely.
- Has a semi-strip processing feature.
- High-speed and stable measurements and feeding of wire.
- Uses a touch panel for all operations.

Specifications

- **Applicable Wire**
 AWG #26-14 or equivalent.
 AWG #26 is UL1007 equivalent.
- **Processing Capacity**
 5,000 wires / hour, max.
 (double-ended, L = 100mm, AWG #20)
- **Cutting Length**
 80-1,500mm (Standard)
 90-1,500mm (when using Wire-Collecting Unit).
 An additional unit is required when the length exceeds 1,500mm.
 When processing 70-79mm long wire, consult our Sales Department.
- **Stripping Length**
 Front side = 2-13mm
 Rear side = 2-18mm
- **Press**
 Capacity: 2,000kg
 Ran Stroke: 41mm
 New electromagnetic clutch type
- **Applicable applicators**
 Side feed applicator
 End feed applicator (Mini-applicator)
 Air feed applicator
 Mecha-feed applicator