

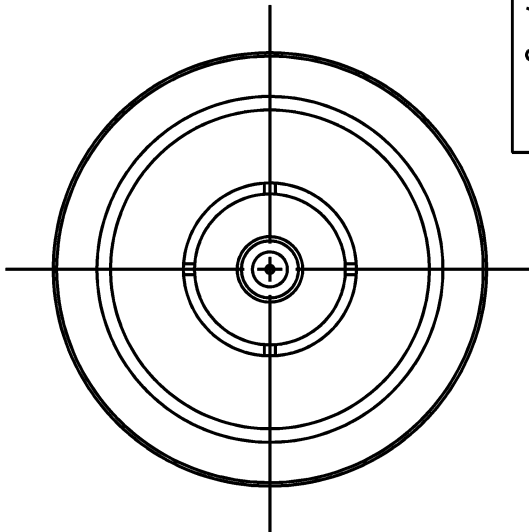
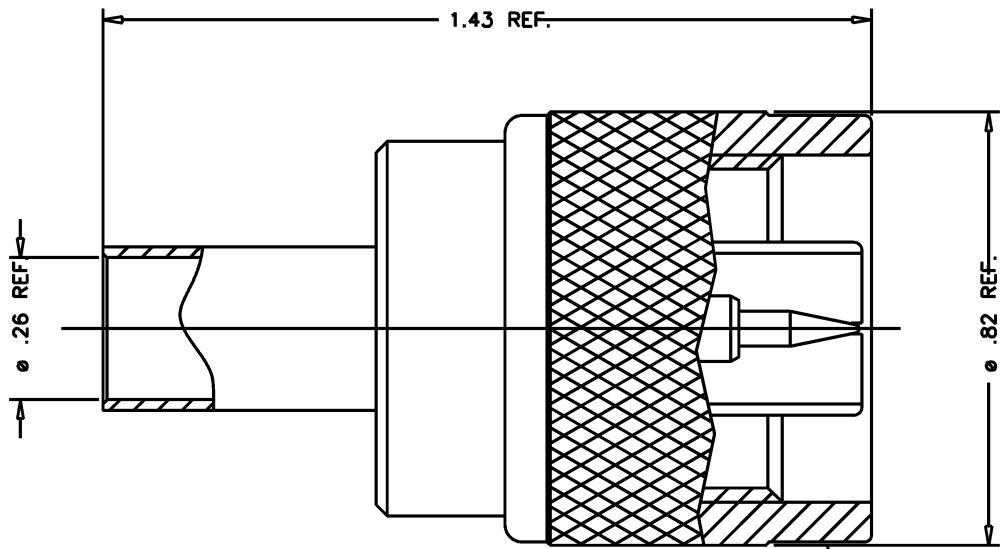
DASH NO.	M CODE	MADE FROM
----------	--------	-----------

GSD

1205-97-9

REVISIONS

ISSUE	CHANGES
0	ER 39580 DRK 08/17/06
1	CN 39971 C DRK 06/18/07



STAMP: KINGS 1205-97-9
YRWK (DATE CODE)

NOTES:

- FOR USE WITH BELDEN RF 240 CABLE.
- FOR CABLING INSTRUCTIONS SEE 3-800.
- FOR CRIMPING USE DIE KTH-2002.
- INTERFACE PER MIL-STD-348, FIG. 304-1.
- CRIMP SLEEVE (S-89-06-2 M06) AND CENTER CONTACT (1-547-49 MC9) TO BE SUPPLIED UNASSEMBLED.
- MATERIALS:

INSULATOR: TEFLON ASTM-D4894.
 GASKET: SILICONE RUBBER A-A-59588.
 K-GRIP SLEEVE: COMMERCIAL BRONZE ASTM-B140.
 C-RING: PHOSPHOR BRONZE ASTM-B103.
 OUTER CONTACT: BER. COP. ASTM-B196
 ALL OTHER METAL PARTS: BRASS ASTM-B16.

7. FINISHES:

CENTER CONTACT: GOLD PLATE ASTM-B488.
 OUTER CONTACT: SILVER PLATE ASTM-B700.
 ALL OTHER METAL PARTS: NICKEL (TR-5).

8. ELECTRICAL CHARACTERISTICS:

NOMINAL IMPEDANCE: 50 OHMS.
 WORKING VOLTAGE: 1000 VRMS.
 FREQUENCY RANGE: DC TO 11 GHZ.

SCALE 4:1

APPROX SURFACE AREA

USED ON

REF: EOR 933

PLUG, N

DRAWN DRK	DATE 04/04/06
DESIGN DRK	DATE 04/04/06
APPR.	DATE

A Winchester Electronics Company

1205-97-9

GSD

UNLESS OTHERWISE SPECIFIED: 1. TOLERANCES: FRACTIONS & 2 PLACE DECIMALS ± .010 3 PLACE DECIMALS ± .004 ANGLES ± 0° 30' T.I.R. CONCENTRICITY OF ANY 2 DIAMETERS MAY NOT EXCEED HALF THE SUM OF THEIR TOLERANCES.	2. REMOVE ALL BURRS, BREAK SHARP EDGES .005 MAX. 3. NO FILLETS PERMITTED. 4. SURFACE ROUGHNESS 63 MICRONS RMS MAX. 5. ALL DIMENSIONS PRIOR TO PLATING. 6. ALL PLATING IN ACCORDANCE WITH KER 10004.	7. ALL LEAD THREADS TO BE CHAMFERED 45° TO ROOT DIAMETER. * CRITICAL DIMENSIONS
---	---	--