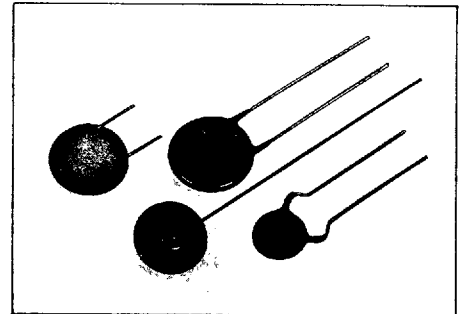


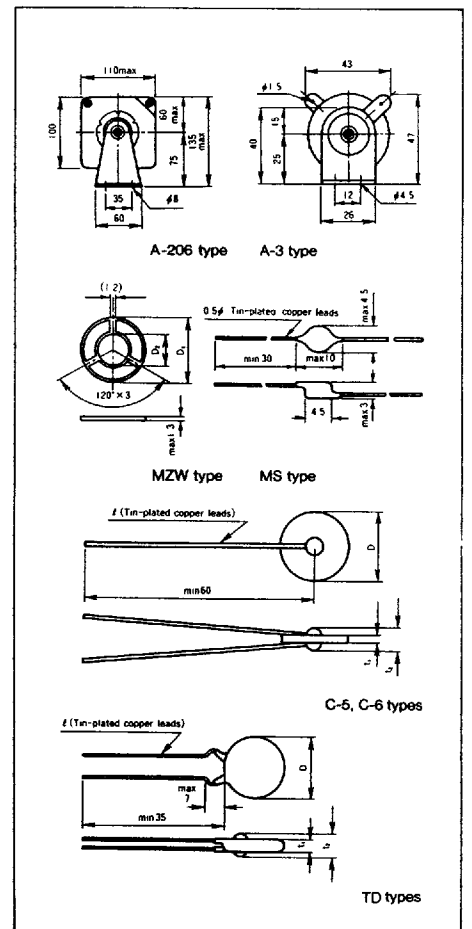
SILISTOR

SILISTOR is the brand name of a general purpose SiC varistor which is used for surge absorption. Its main uses are a small motor noise limiter, protector for relay contacts, and protector of rectifier or semiconductor parts.



Specifications

Type No.	Inspection standards		Continuous rated power (W)	Allowable input energy (W. sec)	Continuous rated voltage (V)		Non-linear coefficients	
	I (mA)	E (V)			DC	AC	β	E_{10}/E_1
TD-130	1	130 ± 15%	0.5	14	137	117	max 0.29	max 1.95
TD-100	1	100			112	97	0.31	2.04
TD-80	1	80			95	92	0.33	2.14
TD-60	1	60			77	68	0.34	2.19
MSA-32	10	32 ± 20%	0.3	0.38	26	24	0.34	2.20
MSA-22	10	22			20	18	0.34	2.20
MSA-15	10	15			15	13	0.36	2.30
MSA-10	10	10			11	10	0.38	2.40
MSA-7	10	7			8.5	7	0.42	2.64
MSA-5	10	5			6.7	6	0.46	2.89
MZ107A-3P05	10	4.0~6.6	0.3	-	4	-	0.5	3.16
MZ107A-3P08	10	5.9~9.4	0.3	-	6	-	0.5	3.16
MZ107A-3P12	10	9.0~14.0	0.3	-	9	-	0.5	3.16
MZ107A-3P14	10	12~19	0.3	-	12	-	0.5	3.16
MZ107A-3P17	10	13~21	0.3	-	12	-	0.5	3.16
MZ107A-3P20	10	15~25	0.3	-	15	-	0.5	3.16
MZ107A-3P24	10	18~30	0.3	-	18	-	0.5	3.16
MZ107A-3P32	10	25~39	0.3	-	24	-	0.5	3.16
C-5B0	100V	1.93 ~ 5.01mA	0.72	17	102	87	0.29	1.95
C-5A0	50	0.297 ~ 0.694			88	76	0.29	1.95
C-5A1	50	0.595 ~ 1.388			78	68	0.30	2.0
C-5A2	50	1.199 ~ 2.77			68	60	0.31	2.04
C-5A3	50	2.388 ~ 5.55			60	53	0.32	2.09
C-5A4	50	4.766 ~ 11.1			53	45	0.35	2.24
C-5A5	50	9.522 ~ 22.2			45	37	0.36	2.30
C-605200	1mA	20.0V ± 15%			0.66	6	33	29
C-605165	1	16.5	29	26			0.31	2.04
C-605140	1	14.0	26	23			0.31	2.04
C-605120	1	12.0	24	20			0.34	2.19
C-605100	1	10.0	21	18			0.36	2.3
C-605084	1	8.4	19	16			0.38	2.4
C-605071	1	7.1	17	14			0.41	2.57
C-605060	1	6.0	15	12			0.43	2.7
A-206195	100	195	11	1150	151	129	0.32	2.09
A-206165	100	165			135	116	0.32	2.09
A-206140	100	140			120	104	0.33	2.14
A-206120	100	120			108	94	0.34	2.19
A-206100	100	100			92	81	0.35	2.24
A-206084	100	84			82	72	0.36	2.30
A-325165	10	165	2.9	135	168	140	0.27	1.86
A-325140	10	140			150	126	0.28	1.91
A-325120	10	120			131	111	0.29	1.95
A-325100	10	100			113	97	0.30	2.00
A-325084	10	84			98	84	0.31	2.04
A-325071	10	71			85	73	0.31	2.04
A-325060	10	60			75	65	0.32	2.09
A-325051	10	51			67	58	0.32	2.09



Dimensions Unit mm

Type	D	t ₁	t ₂	ℓ
C-5	18φ ± 1	max 2	max 7	0.5φ
C-605	18φ ± 1	max 1.5	max 6	0.5φ
TD	max 14.5	-	max 7.5	0.8φ

Power derating

