



INFRARED REMOTE CONTROL RECEIVER MODULES

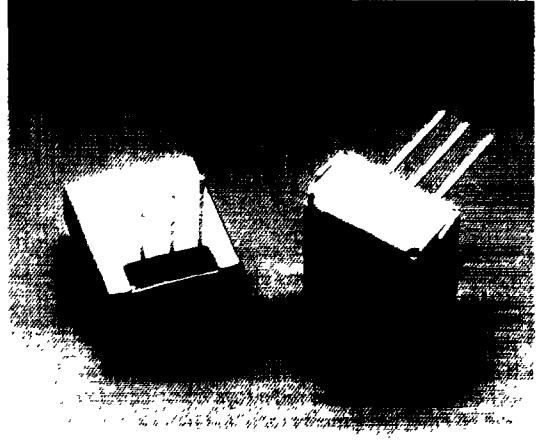
LTM-9342 SERIES TOP VIEWING

FEATURES

- EASY TO HANDLE SMALL TYPE MODULE
- EXCELLENT MECHANICALLY STRENGTH AND ELECTRICAL STABILITY
- CAN BE INSTALLED DIRECTLY TO EQUIPMENT
- RECEIVE INFRARED MODULATED PULSES

DESCRIPTION

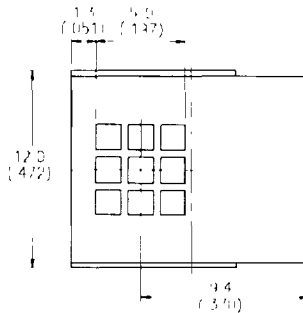
- The module is a small type infrared remote control system receiver which has been developed and designed by utilizing the latest hybrid technology
- It is a single unit type module which incorporates a PIN diode and a receiving preamplifier IC
- It can be used for TVs, VTRs, audio equipment, air conditioners, car stereo radio, toys, home computers and all other equipments requiring remote control



CARRIER FREQUENCY

LTM-9342-33	33 KHz
LTM-9342-36	36 KHz
LTM-9342-38	38 KHz
LTM-9342-40	40 KHz
LTM-9342-56	56.8 KHz

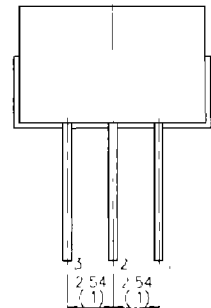
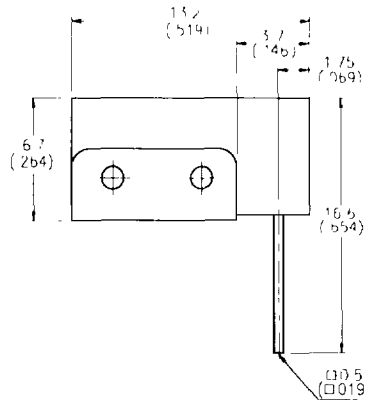
PACKAGE DIMENSIONS



- 1 Gnd
- 2 Vcc
- 5 Output

TECHNICAL INFORMATION

- See page 4-18



NOTES

- 1 All dimensions are in millimeters (inches)
- 2 Tolerance is $\pm 0.25\text{mm}$ (010") unless otherwise noted

OPTIC RECEIVER MODULES