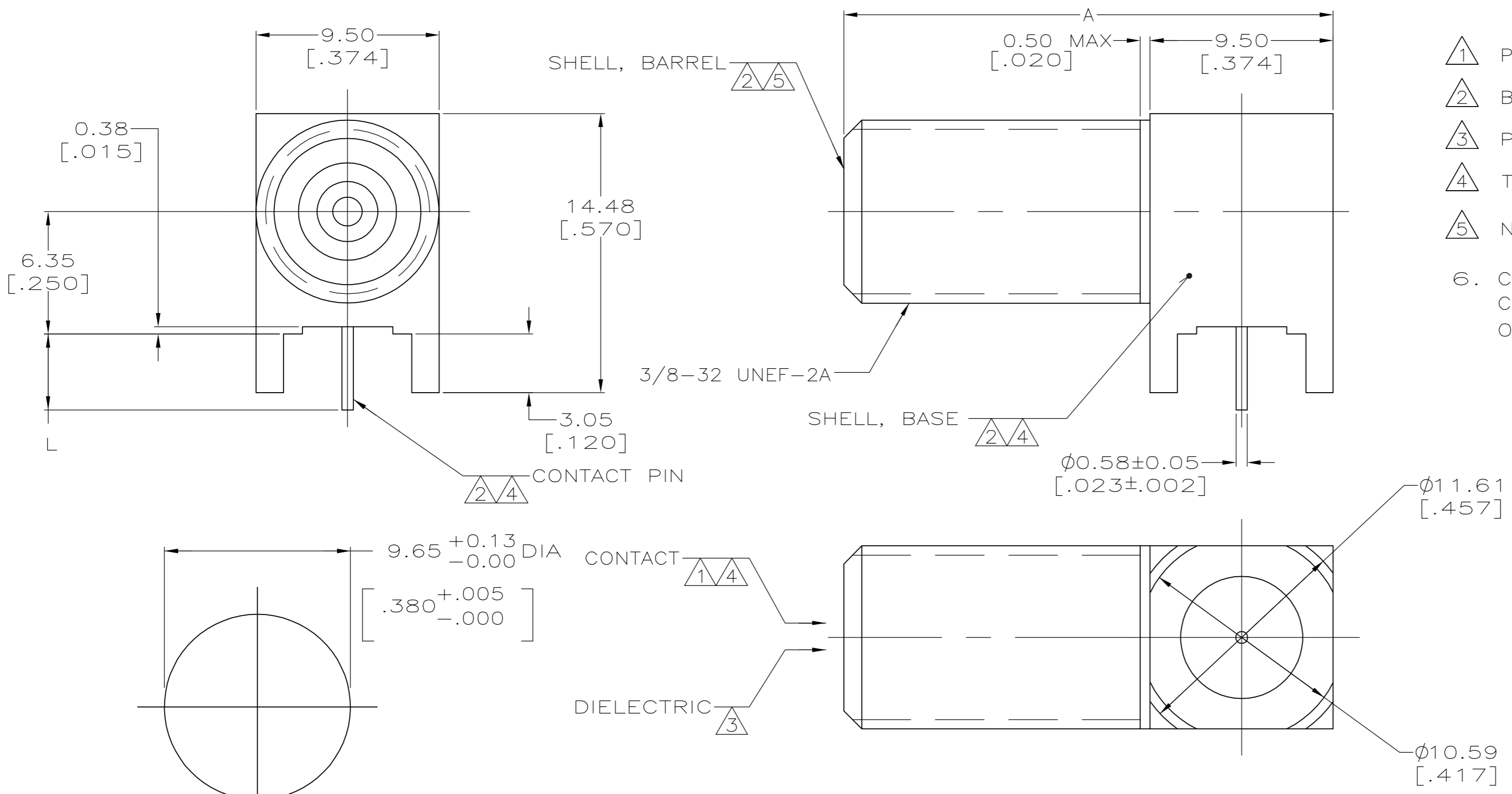


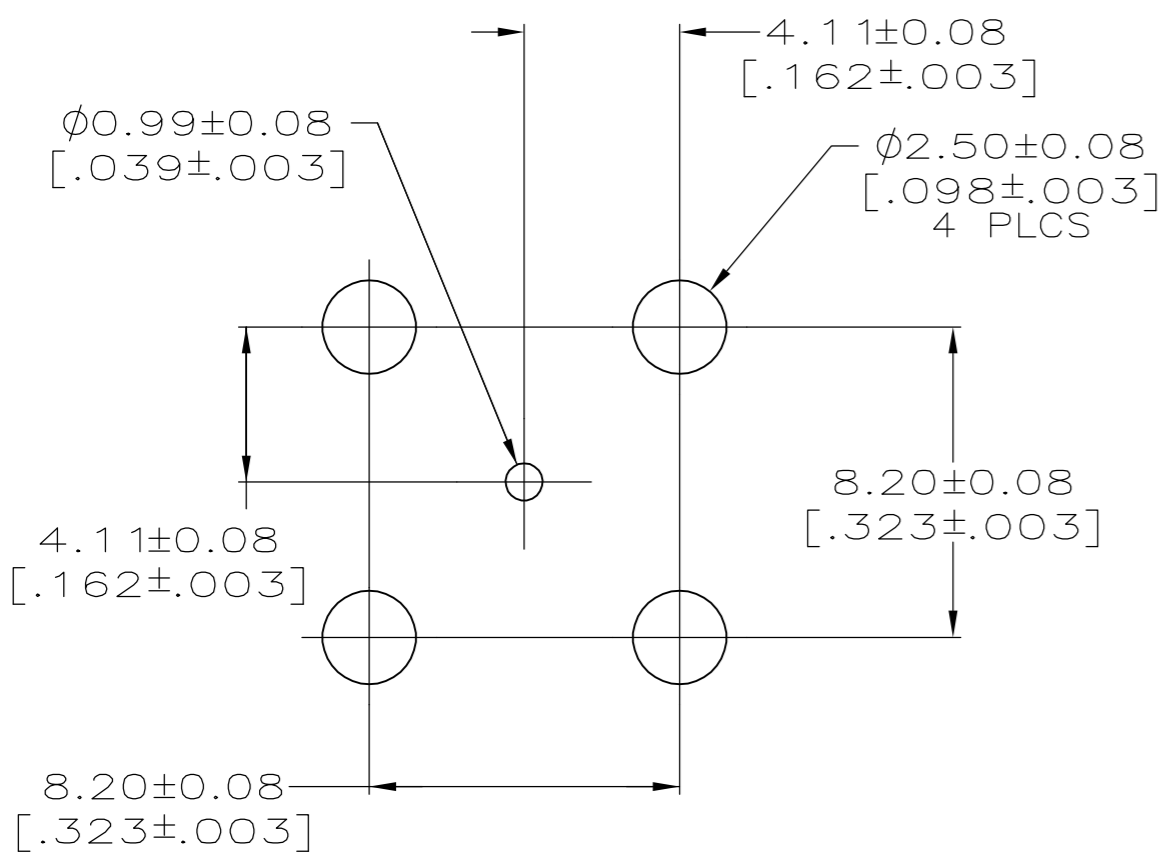
THIS DRAWING IS UNPUBLISHED. RELEASED FOR PUBLICATION
 © COPYRIGHT 2005 BY TYCO ELECTRONICS CORPORATION. ALL RIGHTS RESERVED.

LOC	DIST	REVISIONS			
P	LTR	DESCRIPTION	DATE	DWN	APVD
AJ	00	H	REVISED PER ECO 06-016786	1/23/2007	DW KW



- ① PHOSPHOR BRONZE.
- ② BRASS.
- ③ PTFE.
- ④ TIN PLATE 2.54 μm [.000100] MINIMUM THICK.
- ⑤ NICKEL PLATE 2.54 μm [.000100] MINIMUM THICK.
- 6. CONNECTOR WILL ACCEPT CENTER CONDUCTOR DIAMETER RANGE OF 0.51 [.020] - 1.19 [.047].

SUGGESTED PANEL CUTOUT



PCB CONFIGURATION

OBSOLETE	L	A	PART NUMBER
3.48 [.137] MAX	25.40 [1.000]	415302-3	
3.94 ± 0.51 [.155 ± 0.020]	31.75 [1.250]	415302-2	
3.94 ± 0.51 [.155 ± 0.020]	25.40 [1.000]	415302-1	

THIS DRAWING IS A CONTROLLED DOCUMENT.		DWN J. LIPPERT 11JUN96	Tyco Electronics Corporation Harrisburg, PA 17105-3608	
DIMENSIONS: mm [INCHES]		CHK K. WEIDNER 11JUN96	NAME JACK, PCB, RIGHT ANGLE, F SERIES	
TOLERANCES UNLESS OTHERWISE SPECIFIED:		APVD -	PRODUCT SPEC 108-1755	
0 PLC ± -		APPLICATION SPEC		
1 PLC ± -		-		
2 PLC ± -		-		
3 PLC ± 0.20 [.008]		-		
4 PLC ± -		-		
ANGLES ± 1°		-		
FINISH		-		
MATERIAL SEE NOTES 1 THRU 3		WEIGHT -		SIZE A2
SEE NOTE 5 & 6		CAGE CODE 00779		DRAWING NO C=415302
CUSTOMER DRAWING		SCALE 5:1		SHEET 1 of 1
		REV H		RESTRICTED TO -