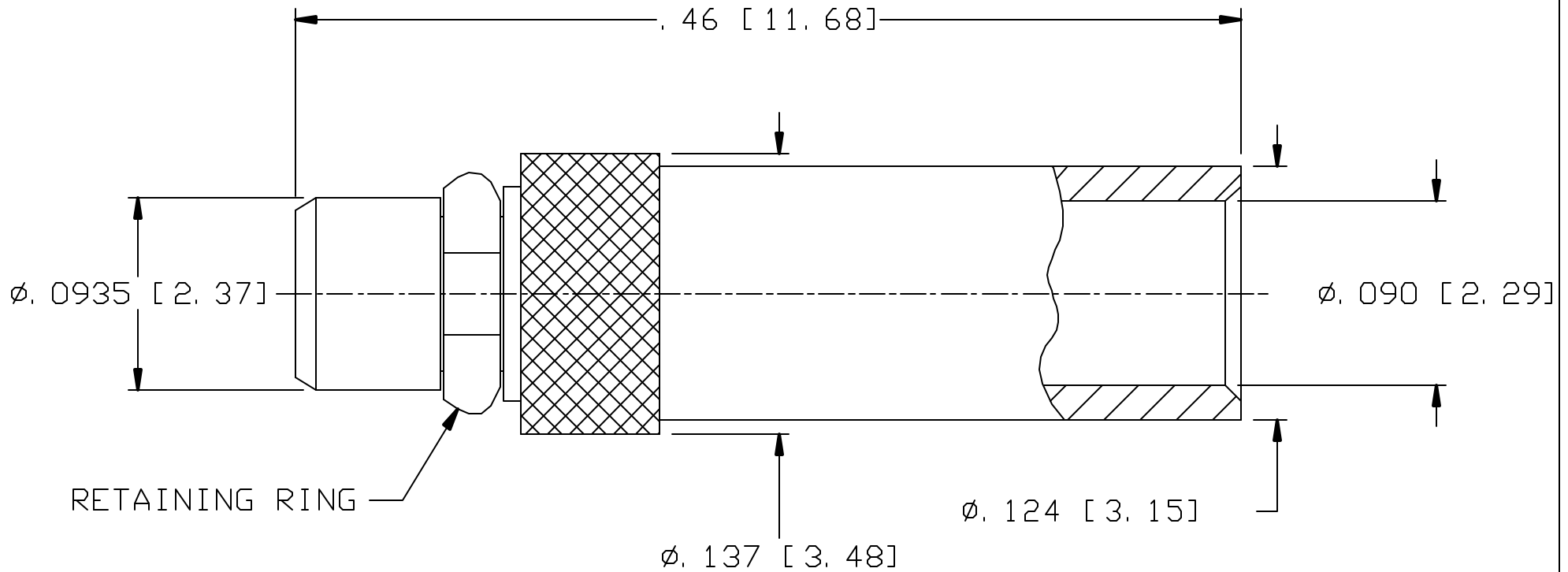


CAD DRAWING - NO MANUAL REVISIONS



NOTES:

1. DESIGN AND INTERFACE PER I. D. S. -33.
2. FOR USE WITH RG 405 CABLE.

				PALCO CONNECTOR 22 GREAT HILL RD., NAUGATUCK, CT 06770 UNLESS OTHERWISE SPECIFIED, PALCO WORKMANSHIP STANDARDS APPLY TOLERANCES ON: DECIMALS: XX ± .01 .XXX ± .005 ANGLES ±1/2° 32' DIMENSIONS IN INCHES OR (METRIC) DO NOT SCALE PRINTS	DRAWN EY	CHECKED HN	ENGINEER EW	APPROVED HN	FSCM 58167
J	PER ECN 8854	03/07/07	JEM		DESCRIPTION STRAIGHT, PMMX	DATE 05/25/93	DRAWING NO. 33-0200-0860		PLATING OPT A
H	PER ECN 4739	10/19/98	HN						
G	PER ECN 3877	05/07/97	HN						
F	PER ECN 3341	02/16/96	HN						
REV.	DESCRIPTION	DATE	APPR.						

THE INFORMATION IN THIS DOCUMENT IS CONFIDENTIAL AND PROPRIETARY AND MAY NOT BE USED FOR ANY PURPOSE WITHOUT THE WRITTEN CONSENT OF PALCO.