

# ASSP for Power Management Applications of Ultra Mobile PC

## 6ch DC/DC Converter IC for LPIA Platform VR

### MB39C308

#### ■ DESCRIPTION

The MB39C308 is a 6ch DC/DC buck converter LSI, which integrates all of necessary power supplies for Ultra-Mobile PC powered by 2-cell Li-ion battery. And the MB39C308 uses current mode topology with N-channel synchronous rectification to realize high conversion efficiency.

The MB39C308 is the Power Management IC supporting the LPIA(Low Power Intel Architecture) which Intel Corporation proposes as the low power consumption platform for UMPC.

The CH1 and CH2 are flexible to adopt the output current capability by selection of external FETs and easy to optimize efficiency. The CH3, CH4, CH5 and CH6 integrate the switching FETs capable of high current for downsizing the power supply solution.

The MB39C308 uses Fujitsu's LDMOS process technology and supplies all power without dispersing power from a lithium-ion battery.

#### ■ FEATURES

- Input voltage range : 5.5 V to 12.6 V
- Topology : Current Mode
- Integrated FET Driver for external MOSFETs : CH1, CH2
- Integrated Switching MOSFETs : CH3, CH4, CH5, CH6
- Fixed Preset Output Voltage : CH1, CH2, CH5
- Selectable Preset Output Voltage : CH3, CH4, CH6

| Channel | Output voltage | Output current | Remarks                    |
|---------|----------------|----------------|----------------------------|
| CH1     | 5 V            | 2 A*           | —                          |
| CH2     | 3.3 V          | 4.5 A*         | —                          |
| CH3     | 1.8 V/1.5 V    | Max : 2.7 A    | DDR2/DDR3 are selectable.  |
| CH4     | 0.9 V/0.75 V   | Max : 1.5 A    |                            |
| CH5     | 1.5 V          | Max : 2.5 A    | —                          |
| CH6     | 1.1 V/1.05 V   | Max : 3.5 A    | Two values are selectable. |

\* : It is the reference value at the typical EVB.

(Continued)

(Continued)

- PWM switching frequency : 0.7 MHz  
(CH4 : 0.7 MHz/0.35 MHz)
- Various protection
  - Over current protection (OCP) - Input over voltage protection (IVP)
  - Output short circuit protection (SCP) - Under voltage lock out protection (UVLO)
  - Output over voltage protection (OVP) - Over temperature protection (OTP)
- POWERGOOD function
- Soft start function independent from output loads.
- Soft stop function independent from output loads.
- High conversion efficiency in wide range of load current.
- Packaged in a compact package : PFBGA-208 (9.00 mm × 9.00 mm × 1.30 mm)

## ■ APPLICATIONS

- UMPC (Ultra Mobile PC)
- MID (Mobile Internet Device)
- Mobile equipment etc.



## ■ PIN DESCRIPTIONS

| Block | Pin Name               | I/O | Description  |
|-------|------------------------|-----|--|
| CH1   | FB1                    | I   | CH1 Error amplifier input pin, being connected to output of CH1. |
|       | PVDD1                  | —   | Power supply pin of the CH1 output block.                        |
|       | CB1                    | O   | Internal power supply pin of the CH1 gate driver block.          |
|       | LX1                    | —   | CH1 inductor connection pin.                                     |
|       | OUT1H                  | O   | CH1 High-side N-ch FET drive output pin.                         |
|       | OUT1L                  | O   | CH1 Low-side N-ch FET drive output pin.                          |
|       | PGND1                  | —   | Ground pin of the CH1 output block.                              |
| CH2   | FB2                    | I   | CH2 Error amplifier input pin, being connected to output of CH2. |
|       | PVDD2                  | —   | Power supply pin of the CH2 output block.                        |
|       | CB2                    | O   | Internal power supply pin of the CH2 gate driver block.          |
|       | LX2                    | —   | CH2 inductor connection pin.                                     |
|       | OUT2H                  | O   | CH2 High-side N-ch FET drive output pin.                         |
|       | OUT2L                  | O   | CH2 Low-side N-ch FET drive output pin.                          |
|       | PGND2                  | —   | Ground pin of the CH2 output block.                              |
| CH3   | FB3                    | I   | CH3 Error amplifier input pin, being connected to output of CH3. |
|       | PVDD3A<br>to<br>PVDD3I | —   | Power supply pins of the CH3 output block.                       |
|       | CB3                    | O   | Internal power supply pin of the CH3 gate driver block.          |
|       | LX3A<br>to<br>LX3I     | —   | CH3 inductor connection pins.                                    |
|       | PGND3A<br>to<br>PGND3I | —   | Ground pins of the CH3 output block.                             |
| CH4   | FB4                    | I   | CH4 Error amplifier input pin, being connected to output of CH4. |
|       | PVDD4A<br>to<br>PVDD4G | —   | Power supply pins of the CH4 output block.                       |
|       | CB4                    | O   | Internal power supply pin of the CH4 gate driver block.          |
|       | LX4A<br>to<br>LX4H     | —   | CH4 inductor connection pins.                                    |
|       | PGND4A<br>to<br>PGND4H | —   | Ground pins of the CH4 output block.                             |

(Continued)

| Block  | Pin Name               | I/O  | Description   |
|--------|------------------------|--|---|
| CH5    | FB5                    | I  | CH5 Error amplifier input pin, being connected to output of CH5.  |
|        | PVDD5A<br>to<br>PVDD5H | —  | Power supply pins of the CH5 output block.  |
|        | CB5                    | O  | Internal power supply pin of the CH5 gate driver block.   |
|        | LX5A<br>to<br>LX5I     | —  | CH5 inductor connection pins.   |
|        | PGND5A<br>to<br>PGND5I | —  | Ground pins of the CH5 output block.  |
| CH6    | FB6                    | I  | CH6 Error amplifier input pin, being connected to output of CH6.  |
|        | PVDD6A<br>to<br>PVDD6J | —  | Power supply pins of the CH6 output block.  |
|        | CB6                    | O  | Internal power supply pin of the CH6 gate driver block.   |
|        | LX6A<br>to<br>LX6J     | —  | CH6 inductor connection pins.   |
|        | PGND6A<br>to<br>PGND6J | —  | Ground pins of the CH6 output block.  |
| Common | CTL1                   | I  | CH1 Control input pin. (L : Standby / H : Normal operation)   |
|        | CTL2                   | I  | CH2 Control input pin. (L : Standby / H : Normal operation)   |
|        | CTL34                  | I  | CH3 and CH4 control input pin. (L : Standby / H : Normal operation)                                       |
|        | CTL5                   | I  | CH5 Control input pin. (L : Standby / H : Normal operation)   |
|        | CTL6                   | I  | CH6 Control input pin. (L : Standby / H : Normal operation)   |
|        | PG1                    | O  | CH1 POWERGOOD output pin. (N-ch MOS open drain output)  |
|        | PG2                    | O  | CH2 POWERGOOD output pin. (N-ch MOS open drain output)  |
|        | PG3                    | O  | CH3 POWERGOOD output pin. (N-ch MOS open drain output)  |
|        | PG4                    | O  | CH4 POWERGOOD output pin. (N-ch MOS open drain output)  |
|        | PG5                    | O  | CH5 POWERGOOD output pin. (N-ch MOS open drain output)  |
|        | PG6                    | O  | CH6 POWERGOOD output pin. (N-ch MOS open drain output)  |
|        | ALLPG                  | O  | POWERGOOD output pin (The ALLPG pin outputs "H", When channels CH3, CH4, CH5 and CH6 are the power good). |
| FSEL4  | I                      | CH4 switching frequency setting pin.<br>FSEL4 = "H" : 700 kHz<br>FSEL4 = "L" : 0.35 MHz (Shown in the "■ ELECTRICAL CHARACTERISTICS" ) |   |

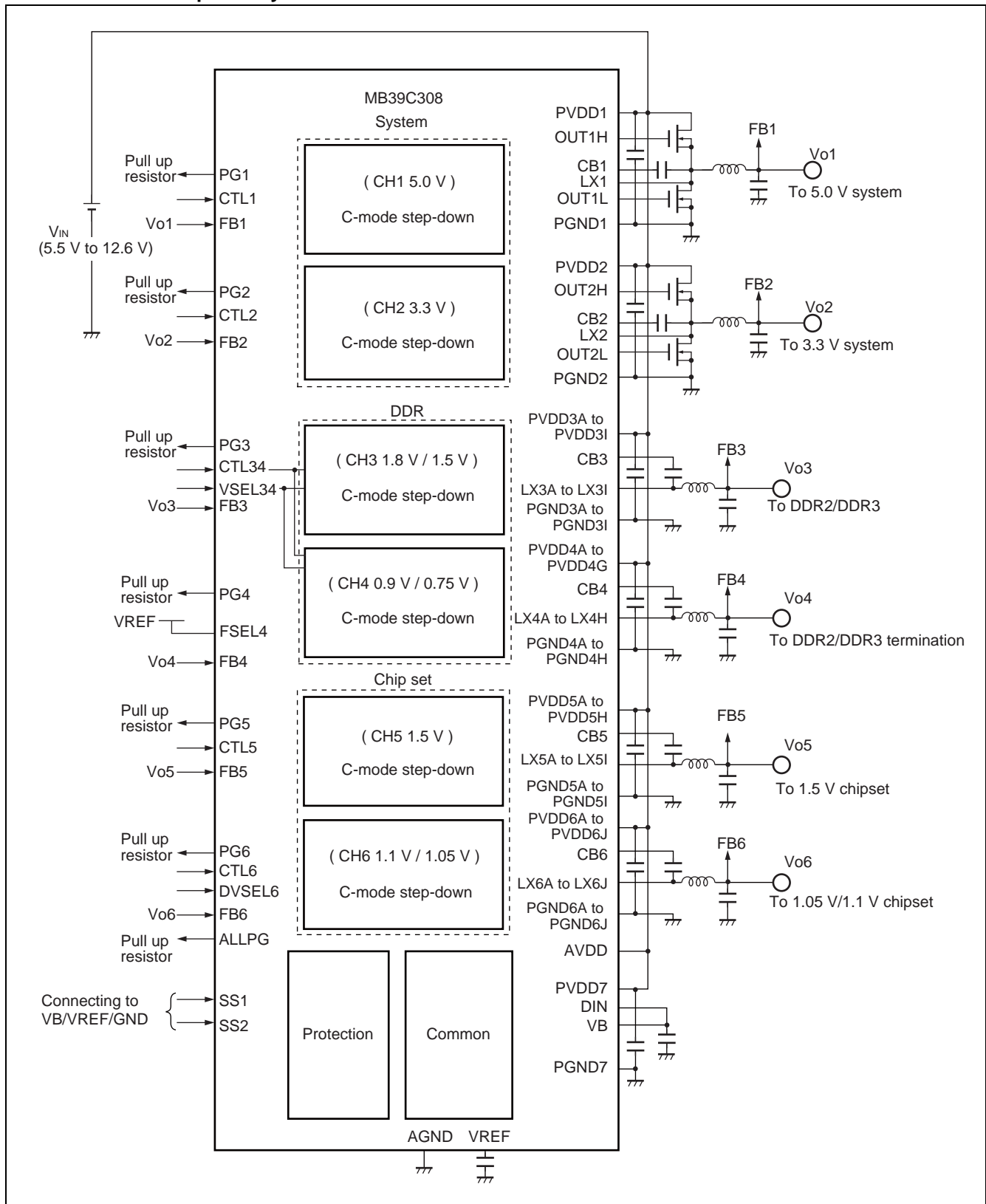
(Continued)

(Continued)

| Block  | Pin Name | I/O                         | Description   |
|--------|----------|-----------------------------|---|
| Common | VSEL34   | I                           | Preset output voltage setting pin for CH3/CH4.<br>VSEL34 = "H" : Vout_CH3 = 1.8 V, Vout_CH4 = 0.9 V<br>VSEL34 = "L" : Vout_CH3 = 1.5 V, Vout_CH4 = 0.75 V                   |
|        | DVSEL6   | I                           | Preset output voltage setting pin for CH6 dynamically.<br>DVSEL6 = "H" : Vout_CH6 = 1.1 V<br>DVSEL6 = "L" : Vout_CH6 = 1.05 V   |
|        | SS1      | I                           | Soft-Start and Soft-Stop time setting pin (Shown in the "■ DESCRIPTION OF SOFT-START AND SOFT-STOP OPERATION • Soft-Start/Soft-Stop time (tson/tsoff) Setting Conditions"). |
|        | SS2      |                             |   |
|        | VB       | O                           | Bias voltage output pin for bootstrap and low-side N-ch gate driver of all channels.  |
|        | DIN      | I                           | Bias voltage input pin for bootstrap.<br>DIN pin should be connected with VB pin.<br>(Shown in the "■ BLOCK DIAGRAM")   |
|        | PVDD7    | —                           | Power supply pin of VB block.   |
|        | PGND7    | —                           | Ground pin of VB block.   |
|        | AVDD     | —                           | Power supply pin for common block.  |
|        | VREF     | O                           | Reference voltage output pin.   |
| AGND   | —        | Ground pin of common block. |   |

## ■ BLOCK DIAGRAM

Used in 2-cell Li-Ion power system



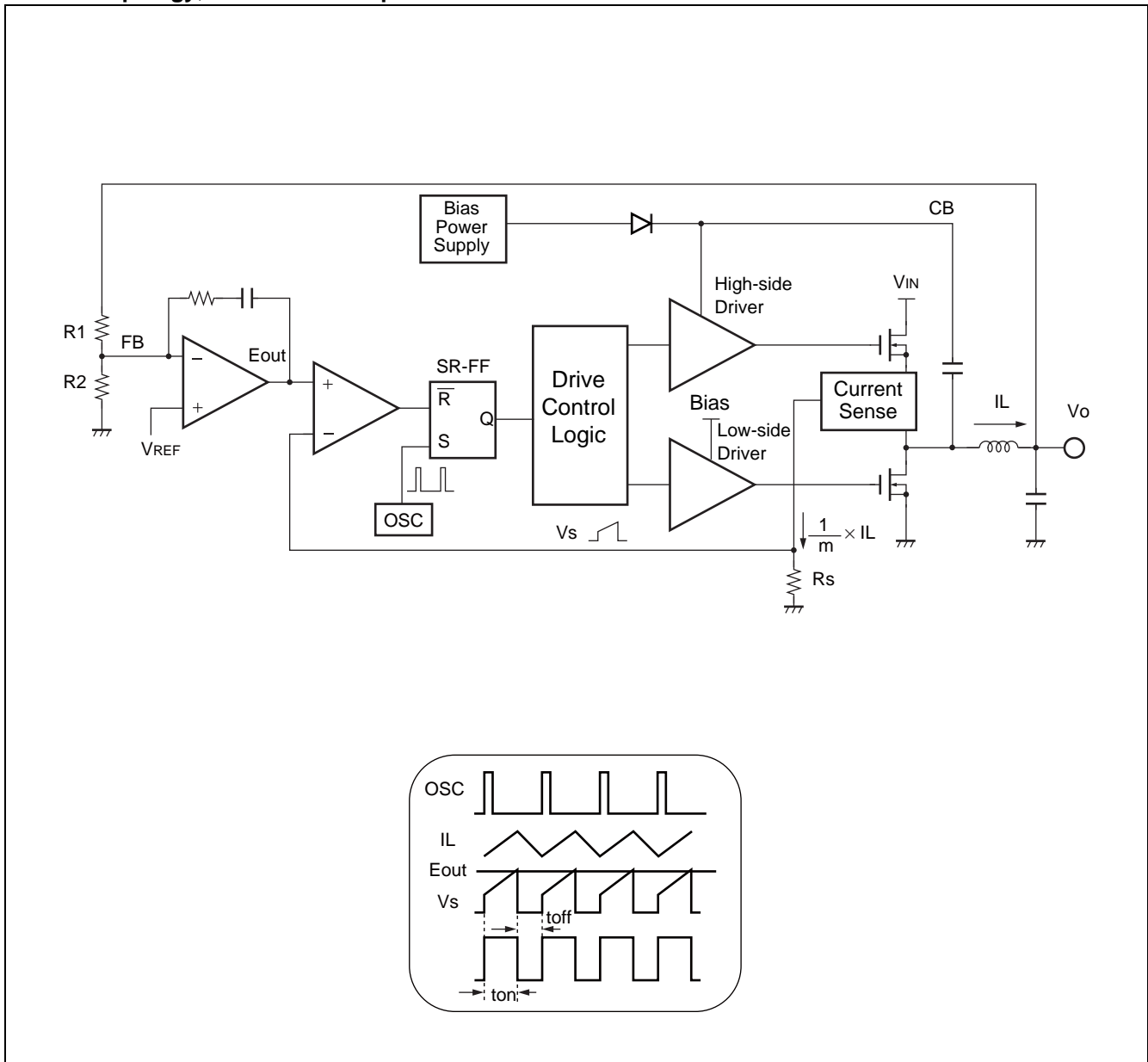
## CURRENT MODE TOPOLOGY

A DC/DC regulation block of Current-mode (C-mode) is illustrated in the “• DC/DC topology, Current mode operation”.

In this C-mode, the High-side FET is turned ON while the SR-FF is set at every clock cycle generated by on chip oscillator. During ON period ( $t_{on}$ ), the current is supplied by  $V_{IN}$ , then Inductor current ( $I_L$ ) is increased. Besides a current ( $I_L/m$ ), which senses the inductor current ( $I_L$ ), flows across a resistor ( $R_s$ ) then the resistor voltage ( $V_s$ ) is increased. When the  $V_s$  reaches  $E_{out}$ , which is an output of the Error amp, the SR-FF is reset and the High-side FET is turned OFF ( $t_{off}$ ) until the next rising clock comes.

The voltage regulation is done by controlling a peak current of the inductor current ( $I_L$ ).

### • DC/DC topology, Current mode operation



## ■ ABSOLUTE MAXIMUM RATINGS

| Parameter                     | Symbol            | Condition                | Rating                |                 | Unit |
|-------------------------------|-------------------|--------------------------|-----------------------|-----------------|------|
|                               |                   |                          | Min                   | Max             |      |
| Power supply voltage          | V <sub>DD</sub>   | AVDD, PVDD1 to PVDD7 pin | -0.3                  | + 13.5          | V    |
| CB voltage                    | V <sub>CB</sub>   | CB1 to CB6 pin           | -0.3                  | + 18.5          | V    |
| LX voltage                    | V <sub>LX</sub>   | LX1 to LX6 pin           | -0.3                  | V <sub>DD</sub> | V    |
| CB to LX voltage              | V <sub>CBLX</sub> | CB pin to LX pin         | -0.3                  | + 7             | V    |
| OUTH voltage                  | V <sub>OUTH</sub> | OUT1H, OUT2H pin         | V <sub>LX</sub> - 0.3 | V <sub>CB</sub> | V    |
| OUTL voltage                  | V <sub>OUTL</sub> | OUT1L, OUT2L pin         | -0.3                  | + 7             | V    |
| DIN voltage                   | V <sub>DIN</sub>  | DIN pin                  | -0.3                  | + 7             | V    |
| VB voltage                    | V <sub>VB</sub>   | VB pin                   | -0.3                  | + 7             | V    |
| VREF voltage                  | V <sub>VREF</sub> | VREF pin                 | -0.3                  | + 7             | V    |
| CTL voltage                   | V <sub>CTL</sub>  | CTL1 to CTL6 pin         | -0.3                  | + 13.5          | V    |
| VSEL voltage                  | V <sub>VSEL</sub> | VSEL34, DVSEL6 pin       | -0.3                  | + 7             | V    |
| FSEL voltage                  | V <sub>FSEL</sub> | FSEL4 pin                | -0.3                  | + 7             | V    |
| FB voltage                    | V <sub>FB</sub>   | FB1 to FB6 pin           | -0.3                  | + 7             | V    |
| PG voltage                    | V <sub>PG</sub>   | PG1 to PG6, ALLPG pin    | -0.3                  | + 7             | V    |
| SS voltage                    | V <sub>SS</sub>   | —                        | -0.3                  | + 7             | V    |
| Package power dissipation     | P <sub>D</sub>    | T <sub>a</sub> ≤ + 25 °C | —                     | 2940*           | mW   |
|                               |                   | T <sub>a</sub> = + 85 °C | —                     | 1180*           | mW   |
| Operating ambient temperature | T <sub>a</sub>    | —                        | -40                   | + 85            | °C   |
| Storage temperature           | T <sub>STG</sub>  | —                        | -55                   | + 125           | °C   |

\* : See the diagram of “■ TYPICAL CHARACTERISTICS • Maximum Power Dissipation vs. Operating Ambient Temperature”, for the package power dissipation of T<sub>a</sub> from + 25 °C to + 85 °C.

**WARNING:** Semiconductor devices can be permanently damaged by application of stress (voltage, current, temperature, etc.) in excess of absolute maximum ratings. Do not exceed these ratings.

**WARNING:** The use of negative voltage below -0.3 Volts on the GND pins (AGND, PGND1 to PGND7) may activate parasitic transistors on the silicon, which can introduce abnormal operation.  
Connecting the LX pin to either VDD pins (AVDD, PVDD1 to PVDD7) or GND pins (AGND, PGND1 to PGND7) directly may cause permanent damage to the device.

## ■ RECOMMENDED OPERATING CONDITIONS

| Parameter                     | Symbol            | Condition  | Value |      |      | Unit |
|-------------------------------|-------------------|--|-------|------|------|------|
|                               |                   |  | Min   | Typ  | Max  |      |
| Power supply voltage          | V <sub>DD</sub>   | AVDD = PVDD1 to PVDD7 pin  | 5.5   | —    | 12.6 | V    |
| Input capacitor               | C <sub>IN</sub>   | VDD to GND pin   | —     | 4.7  | —    | μF   |
| CB to LX capacitor            | C <sub>CB</sub>   | CB to LX pin   | —     | 0.1  | —    | μF   |
| LX inductor                   | L1                | LX1 pin  | —     | 3.3  | —    | μH   |
|                               | L2                | LX2 pin  | —     | 3.3  | —    | μH   |
|                               | L3                | LX3 pin  | —     | 1.5  | —    | μH   |
|                               | L4                | LX4 pin, FSEL4 pin = H<br>fosc = 0.7 MHz                                       | —     | 1.5  | —    | μH   |
|                               |                   |  | —     | 1.5  | —    |      |
|                               | L5                | LX5 pin  | —     | 1.5  | —    | μH   |
| L6                            | LX6 pin           | —  | 1.5   | —    | μH   |      |
| Output current                | I <sub>o1</sub>   | Vo1 (5 V), DC, when R <sub>onH1</sub> = 32 mΩ                                  | —     | 1    | 2*   | A    |
|                               | I <sub>o2</sub>   | Vo2 (3.3 V), DC, when R <sub>onH2</sub> = 16 mΩ                                | —     | 2.25 | 4.5* | A    |
|                               | I <sub>o3</sub>   | Vo3 (1.8 V/1.5 V), DC  | —     | 1.35 | 2.7* | A    |
|                               | I <sub>o4</sub>   | Vo4 (0.9 V/0.75 V), DC   | —     | 1    | 1.5* | A    |
|                               | I <sub>o5</sub>   | Vo5 (1.5 V), DC  | —     | 1.25 | 2.5* | A    |
|                               | I <sub>o6</sub>   | Vo6 (1.1 V/1.05 V), DC   | —     | 1.75 | 3.5* | A    |
| Output capacitor              | C <sub>o1</sub>   | Vo1 (5 V), when R <sub>onH1</sub> = 32 mΩ,<br>L = 3.3 μH, SS1, SS2 pin = GND   | —     | 100  | 300  | μF   |
|                               | C <sub>o2</sub>   | Vo2 (3.3 V), when R <sub>onH1</sub> = 16 mΩ,<br>L = 3.3 μH, SS1, SS2 pin = GND | —     | 100  | 700  | μF   |
|                               | C <sub>o3</sub>   | Vo3 (1.8 V), when L = 1.5 μH,<br>SS1, SS2 pin = GND                            | —     | 100  | 300  | μF   |
|                               | C <sub>o4</sub>   | Vo4 (0.9 V), when L = 1.5 μH,<br>SS1, SS2 pin = GND                            | —     | 100  | 500  | μF   |
|                               | C <sub>o5</sub>   | Vo5 (1.5 V), when L = 1.5 μH,<br>SS1, SS2 pin = GND                            | —     | 100  | 300  | μF   |
|                               | C <sub>o6</sub>   | Vo6 (1.05 V), when L = 1.5 μH,<br>SS1, SS2 pin = GND                           | —     | 200  | 500  | μF   |
| External FET<br>On-resistance | R <sub>onH1</sub> | CH1 High-side FET connected to<br>OUT1H pin                                    | —     | 32   | —    | mΩ   |
|                               | R <sub>onL1</sub> | CH1 Low-side FET connected to<br>OUT1L pin                                     | —     | 32   | —    | mΩ   |
|                               | R <sub>onH2</sub> | CH2 High-side FET connected to<br>OUT2H pin                                    | 12    | 16   | 20   | mΩ   |
|                               | R <sub>onL2</sub> | CH2 Low-side FET connected to<br>OUT2L pin                                     | —     | 16   | —    | mΩ   |

(Continued)

(Continued)

| Parameter             | Symbol            | Condition             | Value |     |                | Unit |
|-----------------------|-------------------|-----------------------|-------|-----|----------------|------|
|                       |                   |                       | Min   | Typ | Max            |      |
| VB output capacitor   | C <sub>VB</sub>   | VB pin                | —     | 1   | —              | μF   |
| VREF output capacitor | C <sub>VREF</sub> | VREF pin              | —     | 4.7 | —              | μF   |
| VREF output current   | I <sub>VREF</sub> | VREF pin              | - 1   | —   | 0              | mA   |
| PG input voltage      | V <sub>PG</sub>   | PG1 to PG6, ALLPG pin | —     | —   | 6              | V    |
| PG sink current       | I <sub>PG</sub>   | PG1 to PG6, ALLPG pin | —     | —   | 2              | mA   |
| CTL input voltage     | V <sub>CTL</sub>  | CTL1 to CTL6 pin      | —     | —   | AVDD           | V    |
| VSEL input voltage    | V <sub>SEL</sub>  | VSEL34, DVSEL6 pin    | —     | —   | 6              | V    |
| FSEL input voltage    | V <sub>FSEL</sub> | FSEL4 pin             | —     | —   | 6              | V    |
| SS input voltage      | V <sub>SS</sub>   | SS1, SS2 pin          | —     | —   | V <sub>B</sub> | V    |

\* : The MB39C308 is designed with assumed operating conditions, which is 60% of the maximum output current on the each channel and being operated with recommended input voltage range.

**WARNING:** The recommended operating conditions are required in order to ensure the normal operation of the semiconductor device. All of the device's electrical characteristics are warranted when the device is operated within these ranges.

Always use semiconductor devices within their recommended operating condition ranges. Operation outside these ranges may adversely affect reliability and could result in device failure.

No warranty is made with respect to uses, operating conditions, or combinations not represented on the data sheet. Users considering application outside the listed conditions are advised to contact their representatives beforehand.

## ■ ELECTRICAL CHARACTERISTICS

(Ta = +25 °C, AVDD = PVDD1 to PVDD7 = 7.2 V)

| Parameter   |                         | Symbol            | Condition   | Value |        |      | Unit |
|---|-------------------------|-------------------|---|-------|--------|------|------|
|   |                         |                   |   | Min   | Typ    | Max  |      |
| Reference voltage block [VREF]                        | Reference voltage       | V <sub>REF</sub>  | VREF pin = 0 mA                                     | 2.45  | 2.5    | 2.55 | V    |
|   | Line regulation         | VREF Line         | AVDD pin = 5.5 V to 12.6 V                          | -10   | —      | +10  | mV   |
|   | Load regulation         | VREF Load         | VREF pin = 0 mA to -1 mA                            | -15   | —      | +15  | mV   |
| Bias voltage block [VB]                               | Bias voltage            | V <sub>VB</sub>   | 5.5 V ≤ AVDD ≤ 12.6 V<br>VB pin = 0 mA              | 4.8   | 5      | 5.2  | V    |
|   | Load regulation         | VB Load           | VB pin = 0 mA to -1 mA                              | -15   | —      | +15  | mV   |
| Under-voltage lockout protection circuit block [UVLO] | Threshold voltage       | V <sub>TLH</sub>  | AVDD pin  | 4.5   | 5.0    | 5.2  | V    |
|   | Hysteresis width        | V <sub>HU</sub>   | AVDD pin  | 0.05  | 0.1    | 0.4  | V    |
| Over-temperature protection circuit block [OTP]       | Shutdown temperature    | T <sub>OTPH</sub> |   | —     | +150*1 | —    | °C   |
|   | Hysteresis width        | T <sub>H</sub>    |   | —     | +25*1  | —    | °C   |
| Input over voltage protection circuit block [IVP]     | Threshold voltage       | V <sub>IVPH</sub> | AVDD pin  | 12.6  | 13.0   | 13.4 | V    |
|   | Release voltage         | V <sub>IVPL</sub> | AVDD pin  | 12.5  | 12.85  | 13.3 | V    |
|   | Hysteresis width        | V <sub>HI</sub>   | AVDD pin  | —     | 0.15   | —    | V    |
| Oscillator block [OSC]                                | Oscillation frequency*2 | f <sub>osc</sub>  | CH1 to CH3, CH5, CH6<br>CH4 : FSEL4 pin = "H" Level | 0.56  | 0.7    | 0.84 | MHz  |
|   |                         |                   | CH4 : FSEL4 pin = "L" Level                         | 0.28  | 0.35   | 0.42 | MHz  |
| Control block [CTL1 to CTL6]                          | Output on level         | V <sub>IH</sub>   | CTL1 to CTL6 pin                                    | 2     | —      | —    | V    |
|   | Output off level        | V <sub>IL</sub>   | CTL1 to CTL6 pin                                    | —     | —      | 0.8  | V    |
|   | Input current           | I <sub>CTLH</sub> | CTL1 to CTL6 pin = 3 V                              | 23    | 30     | 43   | μA   |
|   |                         | I <sub>CTL</sub>  | CTL1 to CTL6 pin = 0 V                              | —     | —      | 1    | μA   |

(Continued)

(Ta = + 25 °C, AVDD = PVDD1 to PVDD7 = 7.2 V)

| Parameter  | Symbol                      | Condition   | Value   |                       |                       | Unit                  |    |
|--|-----------------------------|---|---|-----------------------|-----------------------|-----------------------|----|
|  |                             |   | Min   | Typ                   | Max                   |                       |    |
| Output voltage select block [VSEL34, DVSEL6]           | VSEL34, "H" level           | V <sub>LGH</sub>  | VSEL34, DVSEL6 pin  | 2                     | —                     | —                     | V  |
|  | VSEL34, "L" level           | V <sub>GL</sub>   | VSEL34, DVSEL6 pin  | —                     | —                     | 0.8                   | V  |
|  | Input current               | I <sub>SELH</sub>   | VSEL34, DVSEL6 pin = 3 V  | 23                    | 30                    | 43                    | μA |
|  |                             | I <sub>SELL</sub>   | VSEL34, DVSEL6 pin = 0 V  | —                     | —                     | 1                     | μA |
| Power good detection circuit block [PG1 to PG6, ALLPG] | Low side threshold voltage  | V <sub>PGL</sub>  | FB1 to FB6 pin $\uparrow$<br>PG1 to PG6 pin                               | V <sub>o</sub> × 0.85 | V <sub>o</sub> × 0.9  | V <sub>o</sub> × 0.95 | V  |
|  | High side threshold voltage | V <sub>PGH</sub>  | FB1 to FB6 pin $\downarrow$<br>PG1 to PG6 pin                             | V <sub>o</sub> × 1.05 | V <sub>o</sub> × 1.1  | V <sub>o</sub> × 1.15 | V  |
|  | Hysteresis width            | V <sub>H</sub>  | —   | —                     | V <sub>o</sub> × 0.03 | —                     | V  |
|  | PG output low voltage       | V <sub>OL</sub>   | PG1 to PG6, ALLPG pin = 1 mA  | —                     | 0.1                   | 0.3                   | V  |
|  | PG leak current             | I <sub>LKPG</sub>   | PG1 to PG6, ALLPG pin = 6 V   | —                     | —                     | 1                     | μA |
| Common block   | AVDD standby current        | I <sub>AVDDS</sub>  | CTL1 to CTL6 pin = 0 V,<br>AVDD pin = 12.6 V                              | —                     | —                     | 1                     | μA |
|  | AVDD power supply current   | I <sub>AVDD</sub>   | CTL1 to CTL6 pin = 3 V  | —                     | 0.25                  | —                     | mA |
| CH1 block [CH1]  | CH1 output voltage          | V <sub>o1</sub>   | FB1 pin   | 4.75                  | 5                     | 5.25                  | V  |
|  | PVDD1 standby current       | I <sub>PVDD1S</sub>   | CTL1 pin = 0 V,<br>PVDD1 pin = 12.6 V                                     | —                     | —                     | 15                    | μA |
|  | CH1 efficiency              | η <sub>L1</sub>   | 0.05 × I <sub>o</sub> (Max) < I <sub>o</sub> < 0.3 × I <sub>o</sub> (Max) | 87*3                  | —                     | —                     | %  |
|  |                             | η <sub>T1</sub>   | 0.3 × I <sub>o</sub> (Max) < I <sub>o</sub> < 0.6 × I <sub>o</sub> (Max)  | 92*3                  | —                     | —                     | %  |
|  |                             | η <sub>F1</sub>   | 0.6 × I <sub>o</sub> (Max) < I <sub>o</sub> < I <sub>o</sub> (Max)        | 92*3                  | —                     | —                     | %  |
|  | OUT1H source current        | I <sub>sourceH1</sub>   | Duty ≤ 5%, CB1 pin = 5 V,<br>LX1 pin = 0 V,<br>OUT1H pin = 0 V            | —                     | -400*1                | —                     | mA |
|  | OUT1H sink current          | I <sub>sinkH1</sub>   | Duty ≤ 5%, CB1 pin = 5 V,<br>LX1 pin = 0 V,<br>OUT1H pin = 5 V            | —                     | 400*1                 | —                     | mA |
| OUT1L source current                                   | I <sub>sourceN1</sub>       | Duty ≤ 5%, VB pin = 5 V,<br>LX1 pin = 0 V,<br>OUT1L pin = 0 V | —   | -400*1                | —                     | mA                    |    |

(Continued)

(Ta = +25 °C, AVDD = PVDD1 to PVDD7 = 7.2 V)

| Parameter            | Symbol                            | Condition                       | Value  |       |       | Unit  |    |
|----------------------|-----------------------------------|---------------------------------|--|-------|-------|-------|----|
|                      |                                   |                                 | Min  | Typ   | Max   |       |    |
| CH1 block<br>[CH1]   | OUT1L sink current                | IsinkN1                         | Duty ≤ 5%, VB pin = 5 V,<br>LX1 pin = 0 V,<br>OUT1L pin = 5 V        | —     | 400*1 | —     | mA |
|                      | OUT1H on resistance               | ROH1                            | OUT1H pin = -15 mA   | —     | 12    | 18    | Ω  |
|                      |                                   | ROL1                            | OUT1H pin = 15 mA  | —     | 12    | 18    | Ω  |
|                      | OUT1L on resistance               | ROH1                            | OUT1L pin = -15 mA   | —     | 12    | 18    | Ω  |
|                      |                                   | ROL1                            | OUT1L pin = 15 mA  | —     | 12    | 18    | Ω  |
|                      | Vo1 output over voltage threshold | Vo1                             | FB1 pin  | 5.9*1 | 6*1   | 6.1*1 | V  |
|                      | Vo1 over current limit            | Iocp1                           | Io1<br>RonH1 = 32 mΩ, L = 3.3 μH                                     | 3.4*1 | 4.0*1 | 4.6*1 | A  |
| FB1 input resistance | RFB1                              | FB1 pin                         | —  | 340   | —     | kΩ    |    |
| Soft Start time      | SS1                               | FB1 pin<br>SS1 = SS2 = AGND pin | 1.19   | 1.4   | 1.61  | ms    |    |
| CH2 block<br>[CH2]   | CH2 output voltage                | Vo2                             | FB2 pin  | 3.135 | 3.3   | 3.465 | V  |
|                      | PVDD2 standby current             | IPVDD2S                         | CTL2 pin = 0 V,<br>PVDD2 pin = 12.6 V                                | —     | —     | 15    | μA |
|                      | CH2 efficiency                    | ηL2                             | $0.05 \times I_{o(\text{Max})} < I_o < 0.3 \times I_{o(\text{Max})}$ | 87*3  | —     | —     | %  |
|                      |                                   | ηT2                             | $0.3 \times I_{o(\text{Max})} < I_o < 0.6 \times I_{o(\text{Max})}$  | 92*3  | —     | —     | %  |
|                      |                                   | ηF2                             | $0.6 \times I_{o(\text{Max})} < I_o < I_{o(\text{Max})}$             | 92*3  | —     | —     | %  |
|                      | OUT2H source current              | IsourceH2                       | Duty ≤ 5%, CB2 pin = 5 V,<br>LX2 pin = 0 V,<br>OUT2H pin = 0 V       | —     | -400  | —     | mA |
|                      | OUT2H sink current                | IsinkH2                         | Duty ≤ 5%, CB2 pin = 5 V,<br>LX2 pin = 0 V,<br>OUT2H pin = 5 V       | —     | 400   | —     | mA |
|                      | OUT2L source current              | IsourceN2                       | Duty ≤ 5%, VB pin = 5 V,<br>LX2 pin = 0 V,<br>OUT2L pin = 0 V        | —     | -400  | —     | mA |
|                      | OUT2L sink current                | IsinkN2                         | Duty ≤ 5%, VB pin = 5 V,<br>LX2 pin = 0 V,<br>OUT2L pin = 5 V        | —     | 400   | —     | mA |
|                      | OUT2H on resistance               | ROH2                            | OUT2H pin = -15 mA   | —     | 12    | 18    | Ω  |
|                      |                                   | ROL2                            | OUT2H pin = 15 mA  | —     | 12    | 18    | Ω  |
| OUT2L on resistance  | ROH2                              | OUT2L pin = -15 mA              | —  | 12    | 18    | Ω     |    |
|                      | ROL2                              | OUT2L pin = 15 mA               | —  | 12    | 18    | Ω     |    |

(Continued)

(Ta = +25 °C, AVDD = PVDD1 to PVDD7 = 7.2 V)

| Parameter          | Symbol                            | Condition           | Value  |  |        | Unit    |    |   |
|--------------------|-----------------------------------|---------------------|--|--|--------|---------|----|---|
|                    |                                   |                     | Min  | Typ  | Max    |         |    |   |
| CH2 block<br>[CH2] | Vo2 output over voltage threshold | Vo2                 | FB2 pin  | 3.894*1  | 3.96*1 | 4.026*1 | V  |   |
|                    | Vo2 over current limit            | I <sub>OCP2</sub>   | I <sub>o2</sub><br>Ron <sub>H1</sub> = 16 mΩ, L = 3.3 μH | 6.7*1  | 7.9*1  | 9.0*1   | A  |   |
|                    | FB2 input resistance              | R <sub>FB2</sub>    | FB2 pin  | —  | 220    | —       | kΩ |   |
|                    | Soft start time                   | SS2                 | FB2 pin<br>SS1 = SS2 = AGND pin                          | 1.19   | 1.4    | 1.61    | ms |   |
| CH3 block<br>[CH3] | CH3 output voltage                | Vo3                 | VSEL34 = "H" Level,<br>FB3 pin                           | 1.71   | 1.8    | 1.89    | V  |   |
|                    |                                   |                     | VSEL34 = "L" Level,<br>FB3 pin                           | 1.425  | 1.5    | 1.575   | V  |   |
|                    | High-side FET on-resistance       | R <sub>ONH3</sub>   | LX3 pin = -100 mA,<br>V <sub>GS</sub> = 5 V              | —  | 65*1   | —       | mΩ |   |
|                    | Low-side FET on-resistance        | R <sub>ONL3</sub>   | LX3 pin = 100 mA,<br>V <sub>GS</sub> = 5 V               | —  | 40*1   | —       | mΩ |   |
|                    | PVDD3 standby current             | I <sub>PVDD3S</sub> | CTL34 pin = 0 V,<br>PVDD3 pin = 12.6 V                   | —  | —      | 15      | μA |   |
|                    | CH3 efficiency                    | η                   | L31  | VSEL34 pin = "H" Level,<br>Vo3 = 1.8 V<br>0.05 × I <sub>o</sub> (Max) < I <sub>o</sub> <<br>0.3 × I <sub>o</sub> (Max) | 85*3   | —       | —  | % |
|                    |                                   |                     |  | VSEL34 pin = "L" Level,<br>Vo3 = 1.5 V<br>0.05 × I <sub>o</sub> (Max) < I <sub>o</sub> <<br>0.3 × I <sub>o</sub> (Max) | 82*3   | —       | —  | % |
|                    |                                   |                     |  | VSEL34 pin = "H" Level,<br>Vo3 = 1.8 V<br>0.3 × I <sub>o</sub> (Max) < I <sub>o</sub> <<br>0.6 × I <sub>o</sub> (Max)  | 87*3   | —       | —  | % |
|                    |                                   |                     |  | VSEL34 pin = "L" Level,<br>Vo3 = 1.5 V<br>0.3 × I <sub>o</sub> (Max) < I <sub>o</sub> <<br>0.6 × I <sub>o</sub> (Max)  | 85*3   | —       | —  | % |
|                    |                                   |                     |  | VSEL34 pin = "H" Level,<br>Vo3 = 1.8 V<br>0.6 × I <sub>o</sub> (Max) < I <sub>o</sub> <<br>I <sub>o</sub> (Max)        | 87*3   | —       | —  | % |
|                    |                                   |                     |  | VSEL34 pin = "L" Level,<br>Vo3 = 1.5 V<br>0.6 × I <sub>o</sub> (Max) < I <sub>o</sub> <<br>I <sub>o</sub> (Max)        | 85*3   | —       | —  | % |

(Continued)

(Ta = + 25 °C, AVDD = PVDD1 to PVDD7 = 7.2 V)

| Parameter          | Symbol                            | Condition           | Value   |         |  | Unit    |  |      |   |      |   |
|--------------------|-----------------------------------|---------------------|---|---------|--|---------|--|------|---|------|---|
|                    |                                   |                     | Min   | Typ     | Max  |         |  |      |   |      |   |
| CH3 block<br>[CH3] | Vo3 output over voltage threshold | V <sub>OVp3</sub>   | VSEL34 pin = "H" Level,<br>Vo3 = 1.8 V, FB3 pin   | 2.124*1 | 2.16*1   | 2.196*1 | V  |      |   |      |   |
|                    |                                   |                     | VSEL34 pin = "L" Level,<br>Vo3 = 1.5 V, FB3 pin   | 1.77*1  | 1.8*1  | 1.83*1  | V  |      |   |      |   |
|                    | Vo3 over current limit            | I <sub>oCP3</sub>   | Io3,<br>L = 1.5 μH  | 3.0*1   | 3.75*1   | 4.5*1   | A  |      |   |      |   |
|                    | FB3 input resistance              | R <sub>FB3</sub>    | FB3 pin   | —       | 250  | —       | kΩ   |      |   |      |   |
|                    | Soft start time                   | SS3                 | FB3 pin<br>SS1 = SS2 = AGND pin   | 1.19    | 1.4  | 1.61    | ms   |      |   |      |   |
| CH4 block<br>[CH4] | CH4 output voltage                | Vo4                 | VSEL34 pin = "H" Level,<br>FB4 pin  | 0.855   | 0.9  | 0.945   | V  |      |   |      |   |
|                    |                                   |                     | VSEL34 pin = "L" Level,<br>FB4 pin  | 0.7125  | 0.75   | 0.7875  | V  |      |   |      |   |
|                    | High-side FET on-resistance       | R <sub>ONH4</sub>   | LX4 pin = -100 mA,<br>V <sub>GS</sub> = 5 V   | —       | 130*1  | —       | mΩ   |      |   |      |   |
|                    | Low-side FET on-resistance        | R <sub>ONL4</sub>   | LX4 pin = 100 mA,<br>V <sub>GS</sub> = 5 V  | —       | 55*1   | —       | mΩ   |      |   |      |   |
|                    | PVDD4 standby current             | I <sub>PVDD4S</sub> | CTL34 pin = 0 V,<br>PVDD4 pin = 12.6 V  | —       | —  | 15      | μA   |      |   |      |   |
|                    | CH4 efficiency                    | ηT41                | VSEL34 pin = "H" Level,<br>FSEL4 pin = "H" Level,<br>Vo4 = 0.9 V<br>0.3 × Io (Max) < Io <<br>0.6 × Io (Max) | 80*3    | —  | —       | %  |      |   |      |   |
|                    |                                   |                     |   | ηT42    | VSEL34 pin = "L" Level,<br>FSEL4 pin = "H" Level,<br>Vo4 = 0.75 V<br>0.3 × Io (Max) < Io <<br>0.6 × Io (Max) | 80*3    | —  | —    | %   |      |   |
|                    |                                   |                     |   |         |  | ηF41    | VSEL34 pin = "H" Level,<br>FSEL4 pin = "H" Level,<br>Vo4 = 0.9 V<br>0.6 × Io (Max) < Io < Io (Max) | 83*3 | —   | —    | % |
|                    |                                   |                     |   |         |  |         |  | ηF42 | VSEL34 pin = "L" Level,<br>FSEL4 pin = "H" Level,<br>Vo4 = 0.75 V<br>0.6 × Io (Max) < Io < Io (Max) | 83*3 | — |
|                    | Vo4 output over voltage threshold | V <sub>OVp4</sub>   | VSEL34 pin = "H" Level,<br>Vo4 = 0.9 V, FB4 pin   | 1.035*1 | 1.08*1   | 1.125*1 | V  |      |   |      |   |
|                    |                                   |                     | VSEL34 pin = "L" Level,<br>Vo4 = 0.75 V, FB4 pin  | 0.862*1 | 0.90*1   | 0.938*1 | V  |      |   |      |   |

(Continued)

(Ta = + 25 °C, AVDD = PVDD1 to PVDD7 = 7.2 V)

| Parameter              | Symbol                            | Condition                        | Value                                       |  |       | Unit   |    |   |
|------------------------|-----------------------------------|----------------------------------|---|--|-------|--------|----|---|
|                        |                                   |                                  | Min   | Typ                                      | Max   |        |    |   |
| CH4 block<br>[CH4]     | Vo4 over current limit            | I <sub>OC</sub> P4               | Io4,<br>L = 1.5 μH, fosc = 700 kHz          | 1.92*1                                   | 2.4*1 | 2.88*1 | A  |   |
|                        | FB4 input resistance              | R <sub>FB</sub> 4                | FB4 pin                                     | —  | 750   | —      | kΩ |   |
|                        | Soft start time                   | SS4                              | FB4 pin,<br>SS1 = SS2 = AGND pin            | 1.19                                     | 1.4   | 1.61   | ms |   |
|                        | FSEL4, “H” level                  | V <sub>FLGH</sub> 4              | FSEL4 pin                                   | 2  | —     | —      | V  |   |
|                        | FSEL4, “L” level                  | V <sub>FLGL</sub> 4              | FSEL4 pin                                   | —  | —     | 0.8    | V  |   |
|                        | FSEL4 input current               | I <sub>FSELH</sub> 4             | FSEL4 pin = 3 V                             | 23                                       | 30    | 43     | μA |   |
| I <sub>FSELL</sub> 4   |                                   | FSEL4 pin = 0 V                  | —   | —  | 1     | μA     |    |   |
| CH5 block<br>[CH5]     | CH5 output voltage                | Vo5                              | FB5 pin                                     | 1.425                                    | 1.5   | 1.575  | V  |   |
|                        | High-side FET on-resistance       | R <sub>ONH</sub> 5               | LX5 pin = -100 mA,<br>V <sub>GS</sub> = 5 V | —  | 65*1  | —      | mΩ |   |
|                        | Low-side FET on-resistance        | R <sub>ONL</sub> 5               | LX5 pin = 100 mA,<br>V <sub>GS</sub> = 5 V  | —  | 40*1  | —      | mΩ |   |
|                        | PVDD5 standby current             | I <sub>PVDD</sub> 5S             | CTL5 pin = 0 V,<br>PVDD5 pin = 12.6 V       | —  | —     | 15     | μA |   |
|                        | CH5 efficiency                    | η                                | ηL5   | 0.05 × Io (Max) < Io <<br>0.3 × Io (Max) | 82*3  | —      | —  | % |
|                        |                                   |                                  | ηT5   | 0.3 × Io (Max) < Io <<br>0.6 × Io (Max)  | 85*3  | —      | —  | % |
|                        |                                   |                                  | ηF5   | 0.6 × Io (Max) < Io < Io (Max)           | 85*3  | —      | —  | % |
|                        | Vo5 output over voltage threshold | V <sub>OV</sub> P5               | FB5 pin                                     | 1.77*1                                   | 1.8*1 | 1.83*1 | V  |   |
| Vo5 over current limit | I <sub>OC</sub> P5                | Io5,<br>L = 1.5 μH               | 2.8*1                                       | 3.5*1                                    | 4.2*1 | A      |    |   |
| FB5 input resistance   | R <sub>FB</sub> 5                 | FB5 pin                          | —   | 250                                      | —     | kΩ     |    |   |
| Soft start time        | SS5                               | FB5 pin,<br>SS1 = SS2 = AGND pin | 1.19  | 1.4                                      | 1.61  | ms     |    |   |
| CH6 block<br>[CH6]     | CH6 output voltage                | Vo6                              | DVSEL6 = “H” Level,<br>FB6 pin              | 1.045                                    | 1.1   | 1.155  | V  |   |
|                        |                                   |                                  | DVSEL6 = “L” Level,<br>FB6 pin              | 0.9975                                   | 1.05  | 1.1025 | V  |   |
|                        | High-side FET on-resistance       | R <sub>ONH</sub> 6               | LX6 pin = -100 mA,<br>V <sub>GS</sub> = 5 V | —  | 61*1  | —      | mΩ |   |
|                        | Low-side FET on-resistance        | R <sub>ONL</sub> 6               | LX6 pin = 100 mA,<br>V <sub>GS</sub> = 5 V  | —  | 35*1  | —      | mΩ |   |
|                        | PVDD6 standby current             | I <sub>PVDD</sub> 6S             | CTL6 pin = 0 V,<br>PVDD6 pin = 12.6 V       | —  | —     | 15     | μA |   |

(Continued)

(Continued)

(Ta = + 25 °C, AVDD = PVDD1 to PVDD7 = 7.2 V)

| Parameter          |                                      | Symbol       | Condition  | Value   |        |         | Unit       |
|--------------------|--------------------------------------|--------------|--|---------|--------|---------|------------|
|                    |                                      |              |  | Min     | Typ    | Max     |            |
| CH6 block<br>[CH6] | CH6 efficiency                       | $\eta_{L61}$ | DVSEL6 pin = "H" Level,<br>Vo6 = 1.1 V<br>$0.05 \times I_o (\text{Max}) < I_o <$<br>$0.3 \times I_o (\text{Max})$  | 80*3    | —      | —       | %          |
|                    |                                      | $\eta_{L62}$ | DVSEL6 pin = "L" Level,<br>Vo6 = 1.05 V<br>$0.05 \times I_o (\text{Max}) < I_o <$<br>$0.3 \times I_o (\text{Max})$ | 80*3    | —      | —       | %          |
|                    |                                      | $\eta_{T61}$ | DVSEL6 pin = "H" Level,<br>Vo6 = 1.1 V<br>$0.3 \times I_o (\text{Max}) < I_o <$<br>$0.6 \times I_o (\text{Max})$   | 82*3    | —      | —       | %          |
|                    |                                      | $\eta_{T62}$ | DVSEL6 pin = "L" Level,<br>Vo6 = 1.05 V<br>$0.3 \times I_o (\text{Max}) < I_o <$<br>$0.6 \times I_o (\text{Max})$  | 82*3    | —      | —       | %          |
|                    |                                      | $\eta_{F61}$ | DVSEL6 pin = "H" Level,<br>Vo6 = 1.1 V<br>$0.6 \times I_o (\text{Max}) < I_o <$ lo (Max)                           | 81*3    | —      | —       | %          |
|                    |                                      | $\eta_{F62}$ | DVSEL6 pin = "L" Level,<br>Vo6 = 1.05 V<br>$0.6 \times I_o (\text{Max}) < I_o <$ lo (Max)                          | 81*3    | —      | —       | %          |
|                    | Vo6 output over<br>voltage threshold | $V_{OVP6}$   | DVSEL6 pin = "H" Level,<br>Vo6 = 1.1 V, FB6 pin  | 1.298*1 | 1.32*1 | 1.342*1 | V          |
|                    |                                      |              | DVSEL6 pin = "L" Level,<br>Vo6 = 1.05 V, FB6 pin   | 1.239*1 | 1.26*1 | 1.281*1 | V          |
|                    | Vo6 over<br>current limit            | $I_{OCP6}$   | $I_{o6}$ ,<br>L = 1.5 $\mu$ H  | 4.0*1   | 5.0*1  | 6.0*1   | A          |
|                    | FB6 input resistance                 | $R_{FB6}$    | FB6 pin  | —       | 350    | —       | k $\Omega$ |
|                    | Soft start time                      | SS6          | FB6 pin,<br>SS1 = SS2 = AGND pin   | 1.19    | 1.4    | 1.61    | ms         |

\*1 : This parameter isn't be specified. This should be used as a reference to support designing the circuits.

\*2 : FSEL4 pin is typically recommended to set to "H" level for fosc = 700 kHz setting. When Vo4 is preset to 0.75 V, the ON duty becomes so small at high input voltage. Then, there is a case CH4 output regulation becomes worse at light load condition. In that case, please set FSEL4 pin to "L" level for fosc = 350 kHz setting.

\*3 : This is a reference value, which is evaluated by the recommended EVB circuit. This should be used as a reference to support designing the circuits.

## ■ CHANNEL CONTROL FUNCTION

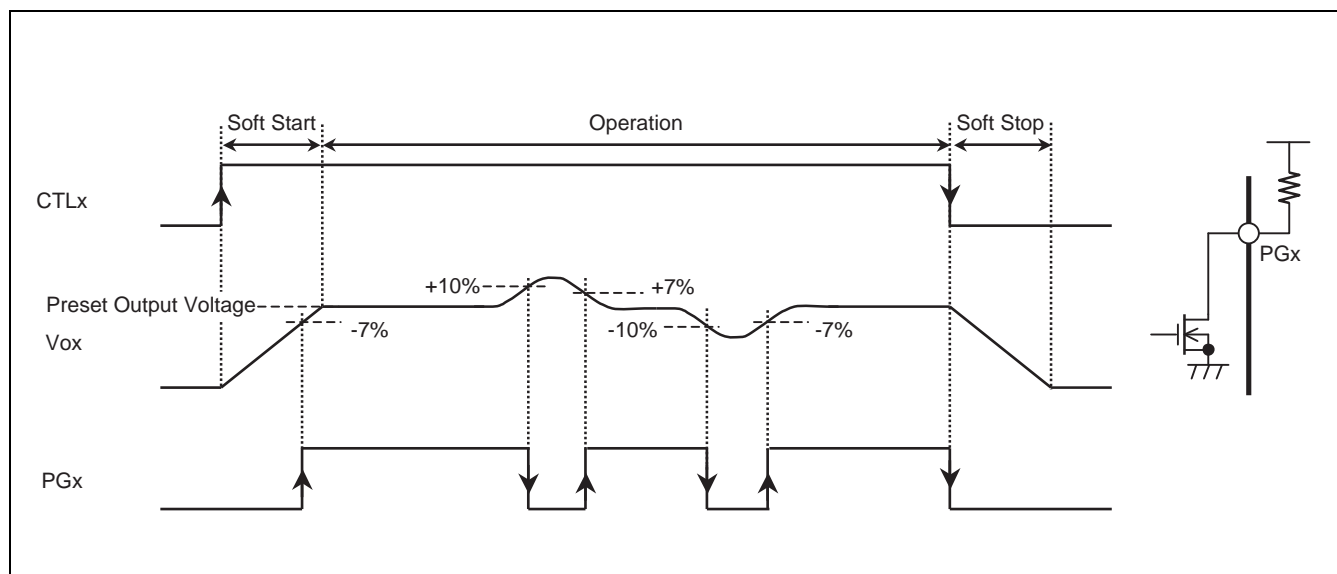
The each channel is turned on and off depending on the voltage levels at the CTL1 pin, CTL2 pin, CTL34 pin, CTL5 pin and CTL6 pin.

### • Channel On/Off Setting Conditions

| CTL1 | CTL2 | CTL34 | CTL5 | CTL6 | CH1 | CH2 | CH3 | CH4 | CH5 | CH6 |
|------|------|-------|------|------|-----|-----|-----|-----|-----|-----|
| L    | L    | L     | L    | L    | OFF | OFF | OFF | OFF | OFF | OFF |
| H    | L    | L     | L    | L    | ON  | OFF | OFF | OFF | OFF | OFF |
| L    | H    | L     | L    | L    | OFF | ON  | OFF | OFF | OFF | OFF |
| L    | L    | H     | L    | L    | OFF | OFF | ON  | ON  | OFF | OFF |
| L    | L    | L     | H    | L    | OFF | OFF | OFF | OFF | ON  | OFF |
| L    | L    | L     | L    | H    | OFF | OFF | OFF | OFF | OFF | ON  |
| H    | H    | H     | H    | H    | ON  | ON  | ON  | ON  | ON  | ON  |

## ■ POWER GOOD FUNCTION

The Power Good function is shown in the following figure. The ALLPG pin and the PGx pins are connected to the open drain of the NMOS, and are used by connecting the resistor. When the CTLx pin is turned on, and the output voltage becomes within 7% of the preset voltage, the PGx pin is changed from "L" to "H". PGx = "H" means the status of Power Good. When the change of the output voltage exceeds 10% of the preset voltage, the PGx pin becomes "L". And when the output voltage becomes within 7% of the preset voltage, the PGx pin becomes "H". Moreover, when all of the channels from CH3 to CH6 are the Power Good, the ALLPG pin becomes "H".



## ■ PROTECTION

### <1> Under Voltage Lock Out Protection (UVLO)

The UVLO prevents IC malfunctions or system damage and the degradation caused by the excessive voltage or instantaneous voltage drop of the power supply voltage (AVDD), bias voltage (VB), internal reference voltage (VREF).

The UVLO turns off all the high- and low-side FETs of CH1 to CH6 when the AVDD pin drops below 5.0 V(Typ).

The UVLO is released when the AVDD pin is above 5.1 V (Typ). This is the non-latch type protection.

### <2> Input Over Voltage Protection (IVP)

The circuit prevents IC malfunctions or system damage and the degradation caused by the excessive voltage or instantaneous voltage drop of the power supply voltage (AVDD).

The IVP turns off all the high- and low-side FETs of CH1 to CH6 when the AVDD pin exceeds 13.0 V(Typ). The IVP is released when the AVDD pin drops below 12.85 V (Typ). This is the non-latch type protection.

### <3> Over Temperature Protection (OTP)

The OTP prevents thermal damages on ICs. The IVP function turns off all the high- and low-side FETs of CH1 to CH6 when the junction temperature exceeds +150 °C (Typ). The OPT is released when the temperature drops below +125 °C (Typ). This is the non-latch type protection.

### <4> Output Short Circuit Protection (SCP)

The SCP function stops outputting data when the output voltage falls and protects the devices connected to outputs.

The SCP timer will start to count when either of output voltages CH1 to CH6 falls due to the output short-circuit to GND or excessive currents. The SCP function starts to operate the latch protection and turns off all the high- and low-side FETs when the output voltage continues to fall to 1.4 ms (Typ).

Follow either of the steps to release the latch of output short circuit protection.

- After all of CTL signals from CH1 to CH6 are set to “L” level, turn on the each CTL signal again.
- When the voltage of the AVDD pin is below the threshold voltage of the UVLO, and then the voltage of the AVDD pin becomes higher than the threshold voltage of UVLO again, the each output will start up.

### <5> Output Over Voltage Protection (OVP)

The OVP protects the devices which are connected to outputs when the output voltage rises. When either output voltage of the CH1 to CH6 is higher than 120% of each channel's preset voltage (Typ), the OVP turns off all the high- and low-side FETs of the channels (However, the only CH4 is turned off the high-side FET and turned on the low-side FET. The CH4 logic is different from other channels as it is controlled with PWM). The OVP is released when the output voltage is below 103% of the preset voltage (Typ). This is the non-latch type protection.

### <6> Over Current Protection (OCP)

The OCP function controls the output current. When drain-to-source current excessively increases, the OCP controls the output current to the preset value for each channel. Then, because of the OCP functions, the output voltage usually drops. As a result, the SCP stop the all outputs with the latch setting.

The OCP functions only for the corresponding channels only, however, the SCP stops all of the channels in the end.

## ■ DESCRIPTION OF SOFT-START AND SOFT-STOP OPERATION

Soft-start function is featured to avoid inrush current when each channels is turned-on. When the CTL1, CTL2, CTL34, CTL5 and CTL6 are set to “H” level, ramped-up voltage is fed on an inverting input of an error amplifier of a channel. Start-time of the soft-start can be predefined and the start time is kept constant independent from a load of the output of the channels. When the CTL1, CTL2, CTL34, CTL5 and CTL6 are set to “L” level, ramped-down voltage is fed on an inverting input of an error amplifier of a channel then the output voltage goes low. Stop-time of the Soft-stop can be predefined and the stop-time is kept constant independent from a load of the output of the channel.

The time of both soft-start and soft-stop can be predefined with combination of the level on the SS1 and the SS2 pins as shown in the “• Soft-Start/Soft-Stop time (tson/tsoff) Setting Conditions”, and external capacitors and resistors aren't required

### • Soft-Start/Soft-Stop time (tson/tsoff) Setting Conditions

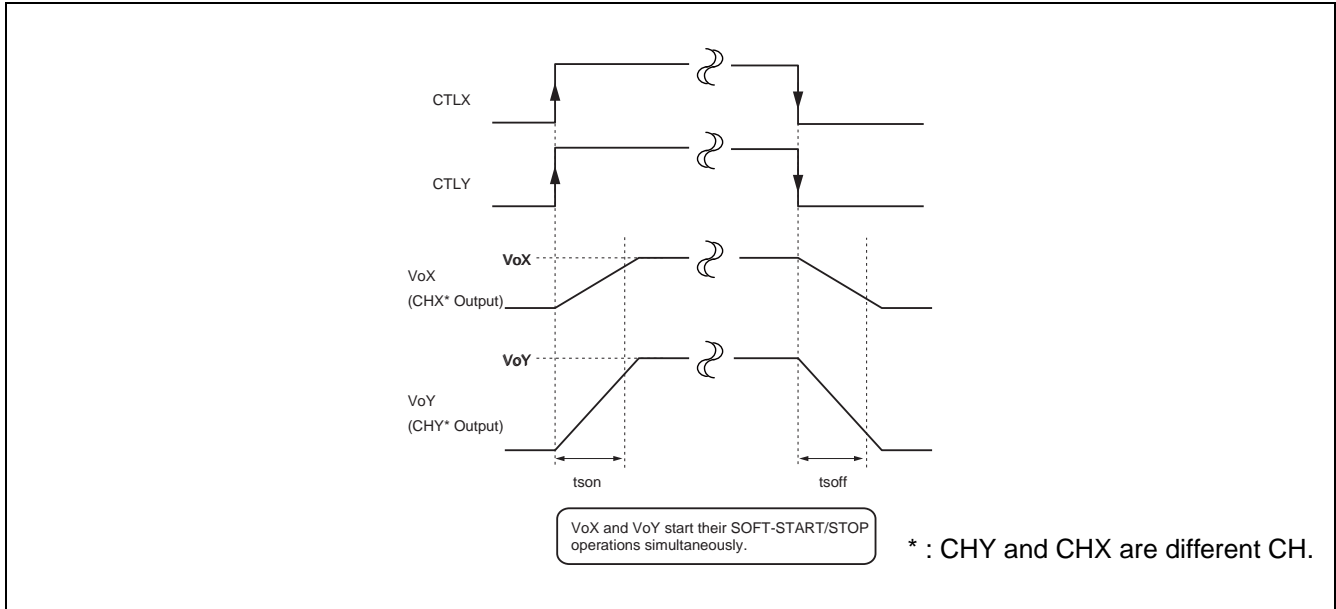
| SS1 pin                | SS2 pin                | Soft-Start time (tson) (Typ) * | Soft-Stop time (tsoff) (Typ) * | Unit |
|------------------------|------------------------|--------------------------------|--------------------------------|------|
| Connecting to AGND pin | Connecting to AGND pin | 1.4                            | 1.4                            | ms   |
| Connecting to AGND pin | Connecting to VREF pin | 2.2                            | 2.2                            | ms   |
| Connecting to AGND pin | Connecting to VB pin   | 2.9                            | 2.9                            | ms   |
| Connecting to VREF pin | Connecting to AGND pin | 3.5                            | 3.5                            | ms   |
| Connecting to VREF pin | Connecting to VREF pin | 4.1                            | 4.1                            | ms   |
| Connecting to VREF pin | Connecting to VB pin   | 5.1                            | 5.1                            | ms   |
| Connecting to VB pin   | Connecting to AGND pin | 5.9                            | 5.9                            | ms   |
| Connecting to VB pin   | Connecting to VREF pin | 7.3                            | 7.3                            | ms   |
| Connecting to VB pin   | Connecting to VB pin   | 8.2                            | 8.2                            | ms   |

\* : Accuracy : Typ  $\pm 15\%$

## << Trace of the Output voltage on each channel, during Soft-Start/Soft-Stop operations >>

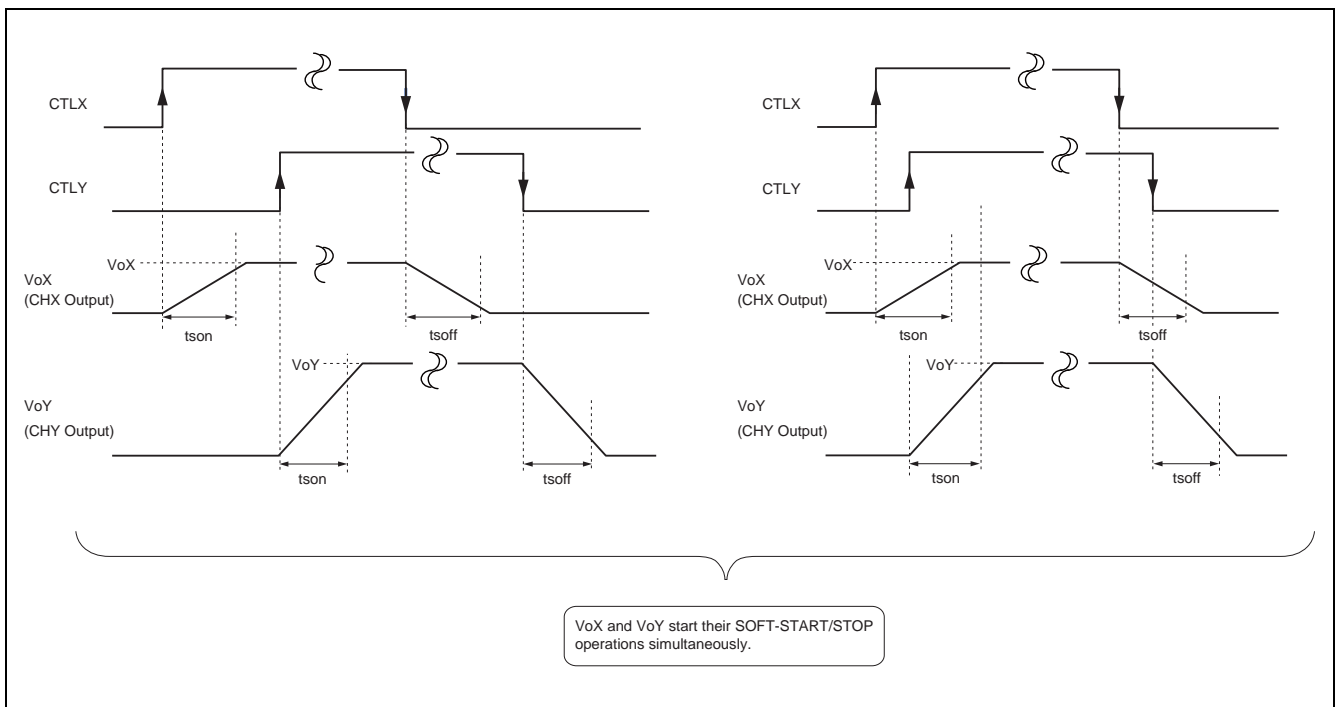
The sequence of turning on/off different output channels is defined by the CTL1, CTL2, CTL34, CTL5 and CTL6 pins.

### (1) When CTLX and CTLY are set to "H" or "L" simultaneously.

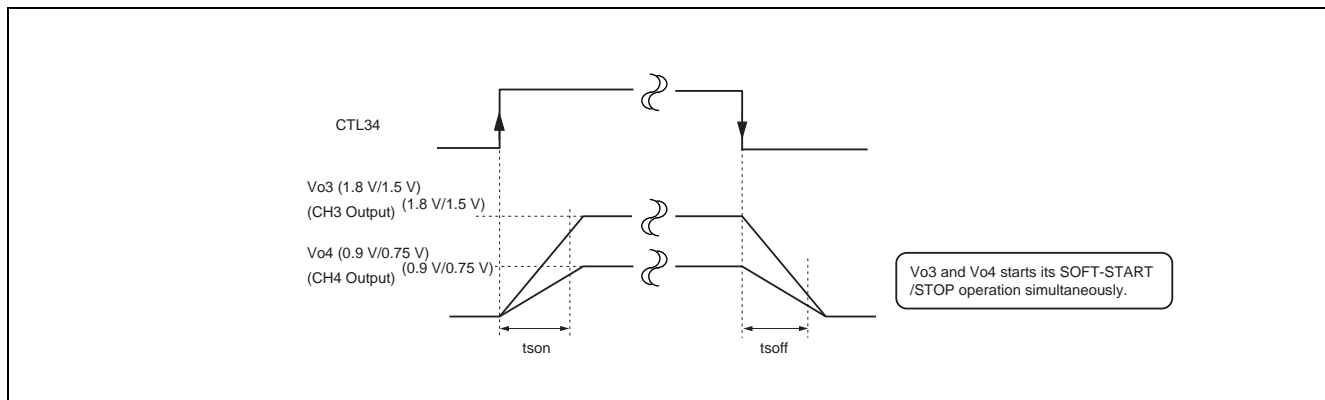


### (2) When CTLY is set to "H" or "L" after completion of SOFT-START or -STOP on VoX .

### (3) When CTLY is set to "H" or "L" after VoX has started its SOFT-START or -STOP operation.



**(4) When CTL34 is set to “H” or “L”.**



**PRESET FUNCTION OF CH3/CH4/CH6 OUTPUT VOLTAGE**

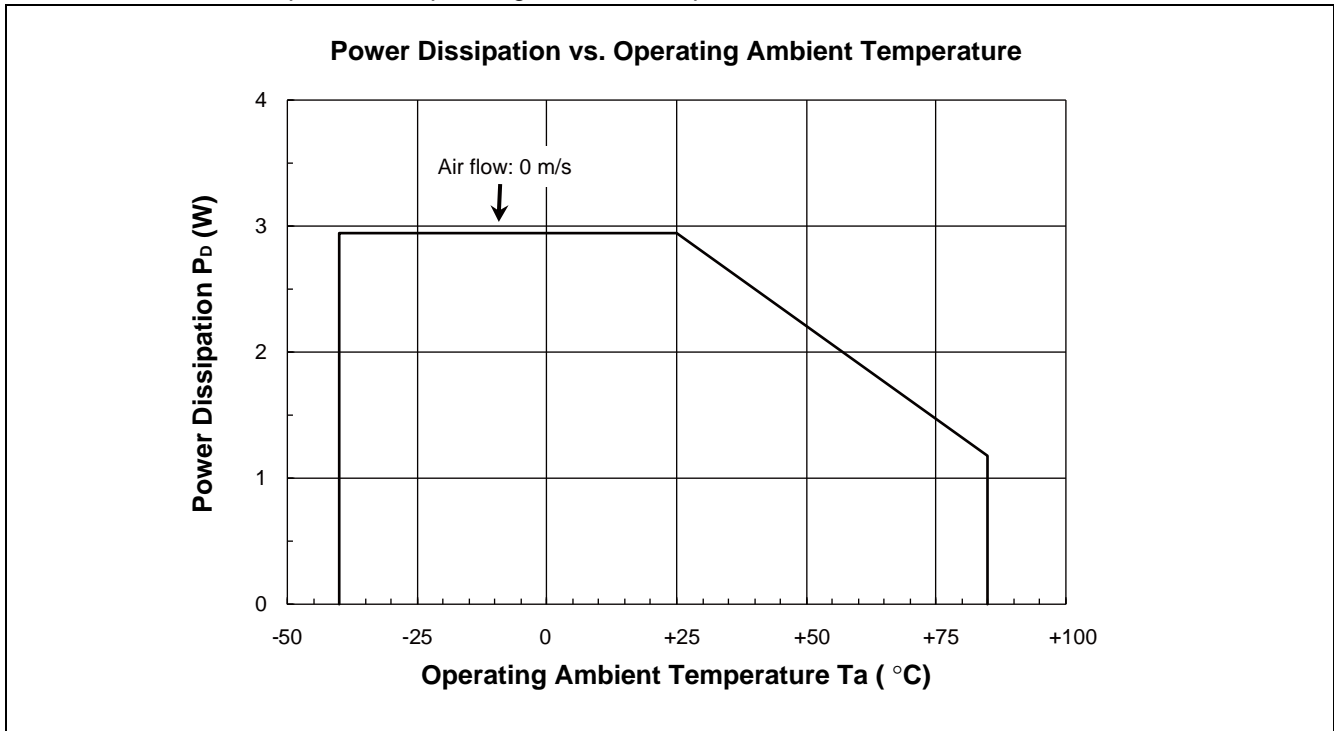
The preset output voltage of CH3 and CH4 are selected by VSEL34 pin condition. Please refer the following table. The preset output voltage of CH6 is selected by DVSEL6 pin condition. Please refer the following table.

- CH3/CH4/CH6 Preset Output Voltage Conditions

| CONNECTION | VREF                                       | GND   |
|------------|--|---|
| VSEL34     | Vo3 = 1.8 V setting<br>Vo4 = 0.9 V setting | Vo3 = 1.5 V setting<br>Vo4 = 0.75 V setting |
| DVSEL6     | Vo6 = 1.1 V setting                        | Vo6 = 1.05 V setting                        |

## ■ TYPICAL CHARACTERISTICS

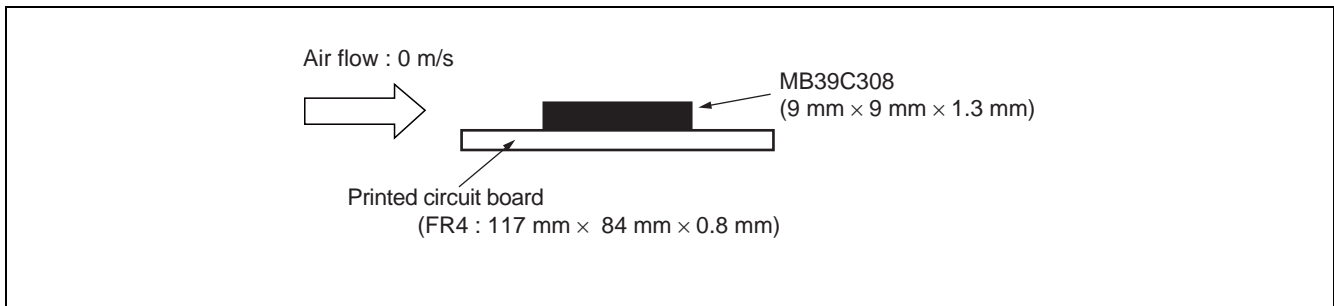
- Maximum Power Dissipation vs. Operating Ambient Temperature



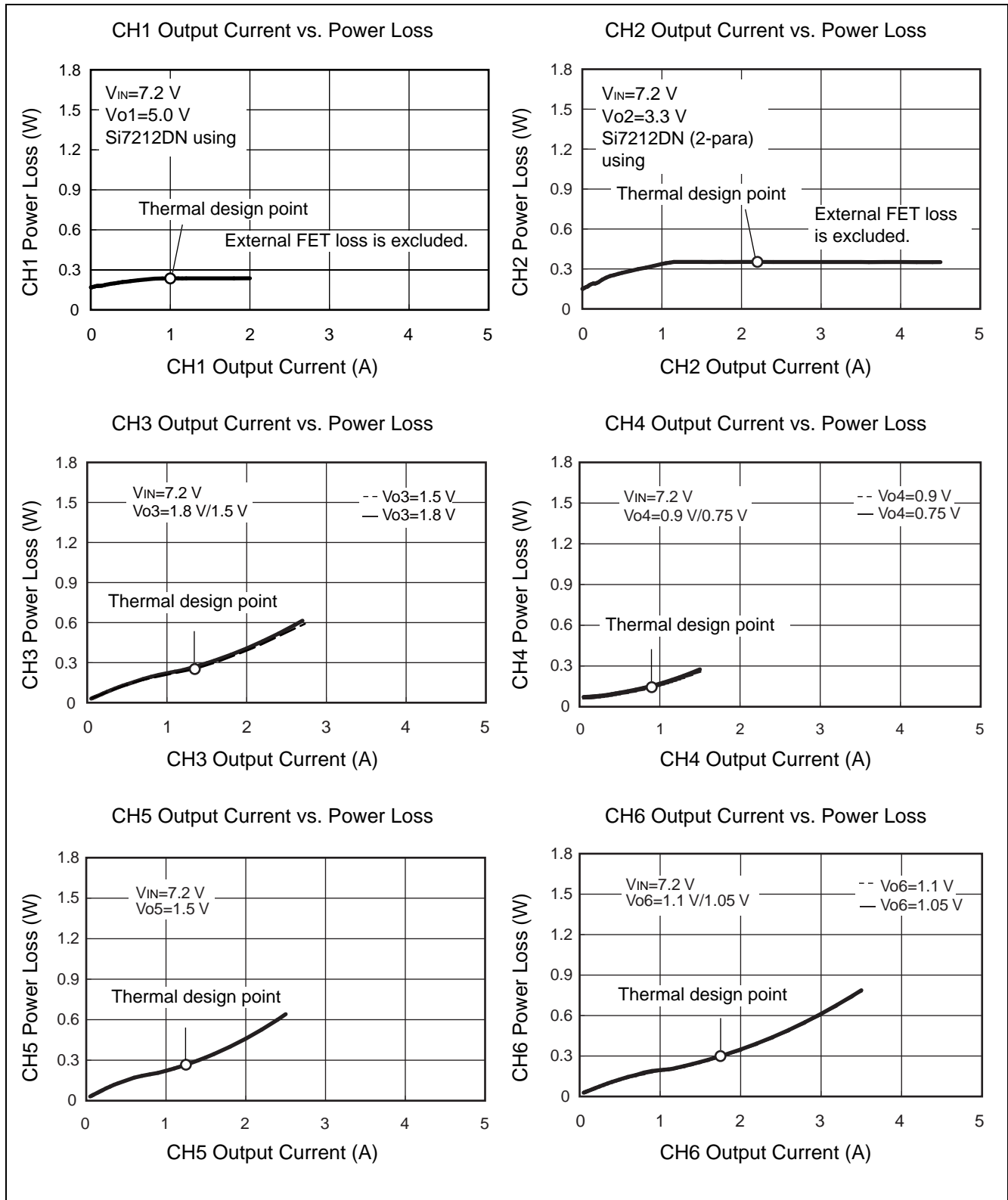
The Allowable power dissipation is shown in the “• Maximum Power Dissipation vs. Operating Ambient Temperature”. The maximum power dissipation depends on the thermal capability of the given package, and the ambient temperature.

Sum of power dissipation of each channel (CH1 to CH6) should not exceed the maximum rating. Expected power loss of the each channel's over load current are shown in the “• Power Loss Curve for each channel”.

- The condition of the thermal model



• Power Loss Curve for each channel

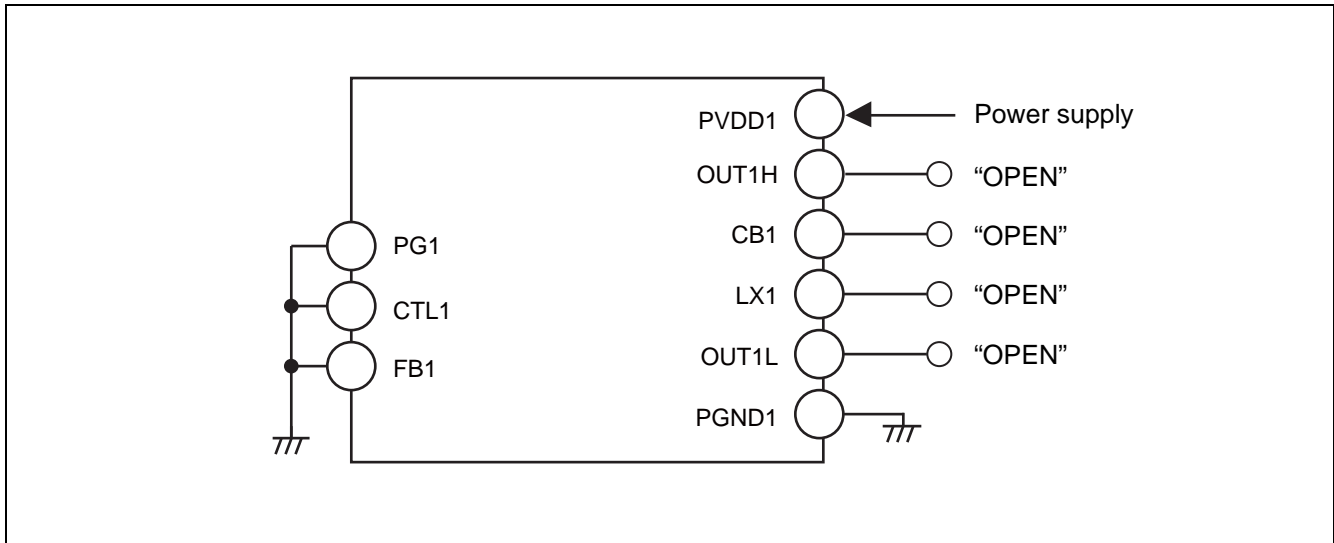


## ■ NOTES FOR UNCONNECTED PINS

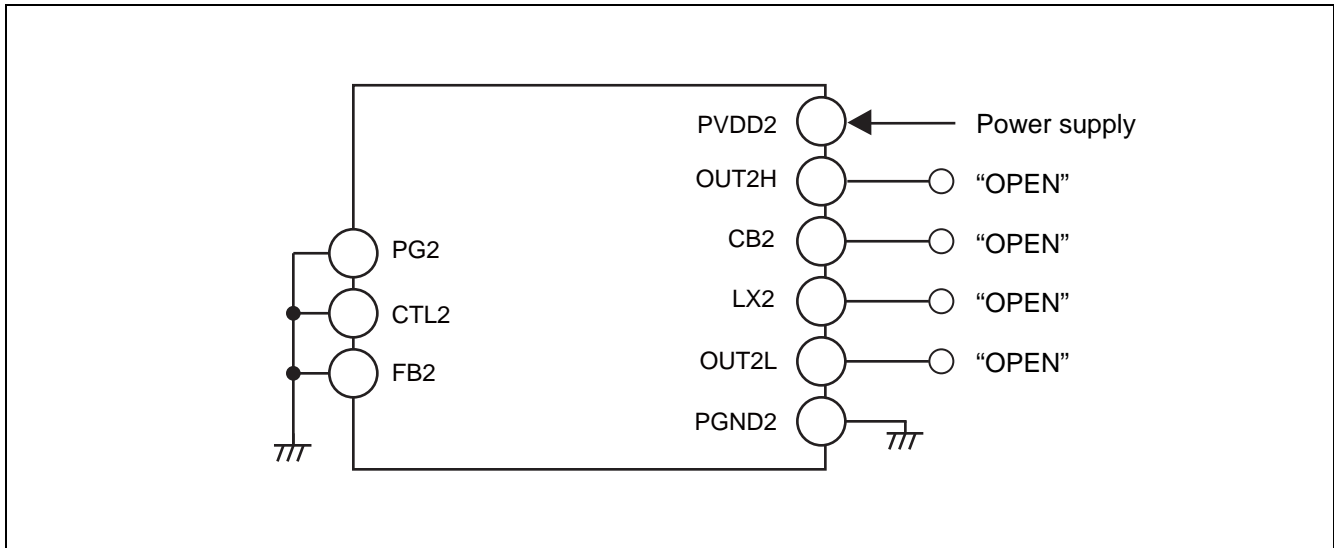
### 1. PIN CONNECTION WHEN NOT USING CH1 or CH2

When CH1 or CH2 are not used, connect the PVDD pins to power supply, connect the PG pins, CTL pins and FB pins to Analog ground (AGND), leave OUTH pins, OUTL pins, CB pins and LX pins open and connect the PGND pins to Power ground.

- CH1 is not used



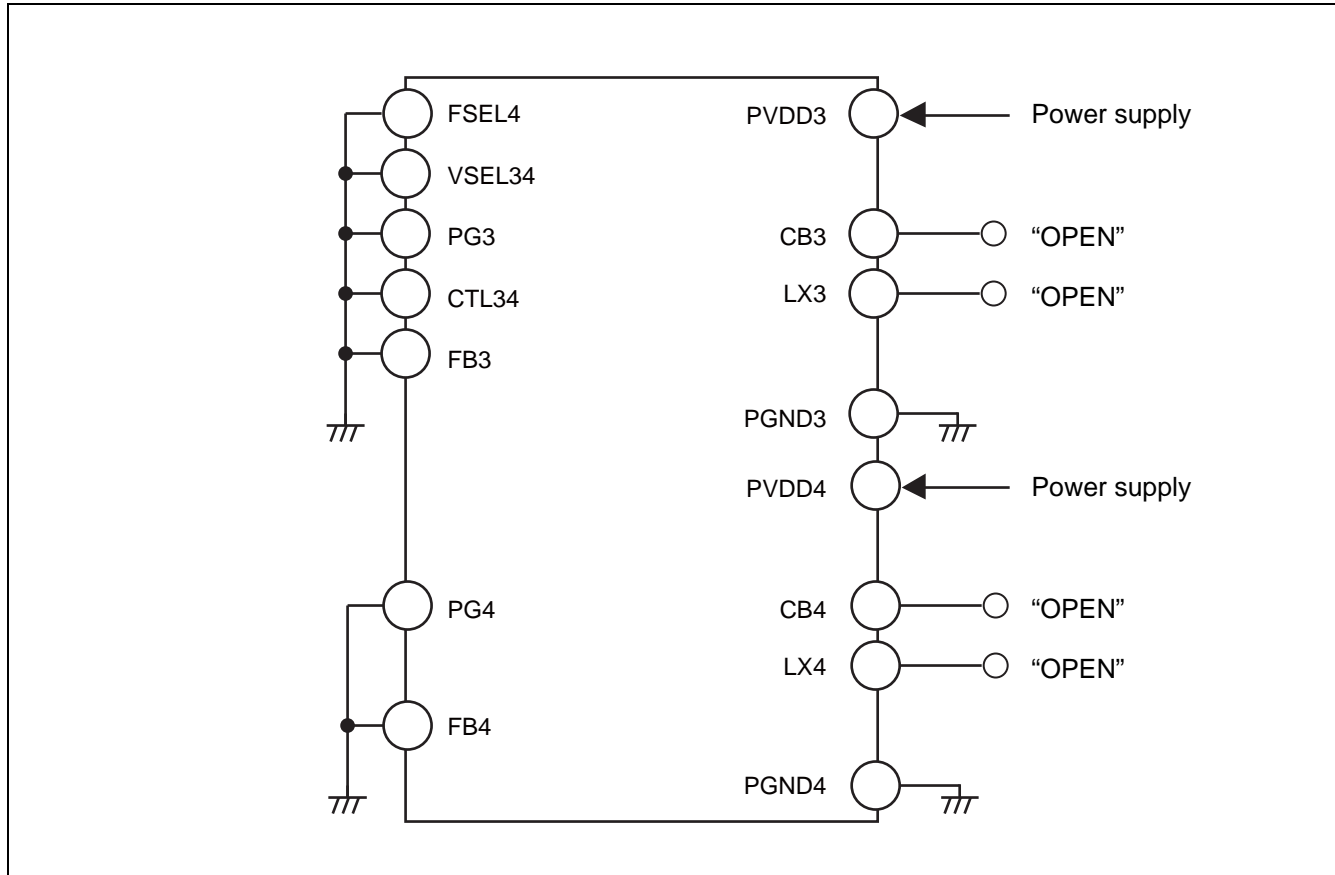
- CH2 is not used



## 2. PIN CONNECTION WHEN NOT USING CH3 and CH4

When CH3 and CH4 are not used, connect the PVDD pins to power supply, connect the FSEL4 pin, VSEL34 pin, PG pins, CTL34 pins and FB pins to Analog ground (AGND), leave CB pins and LX pins open and connect the PGND pins to Power ground.

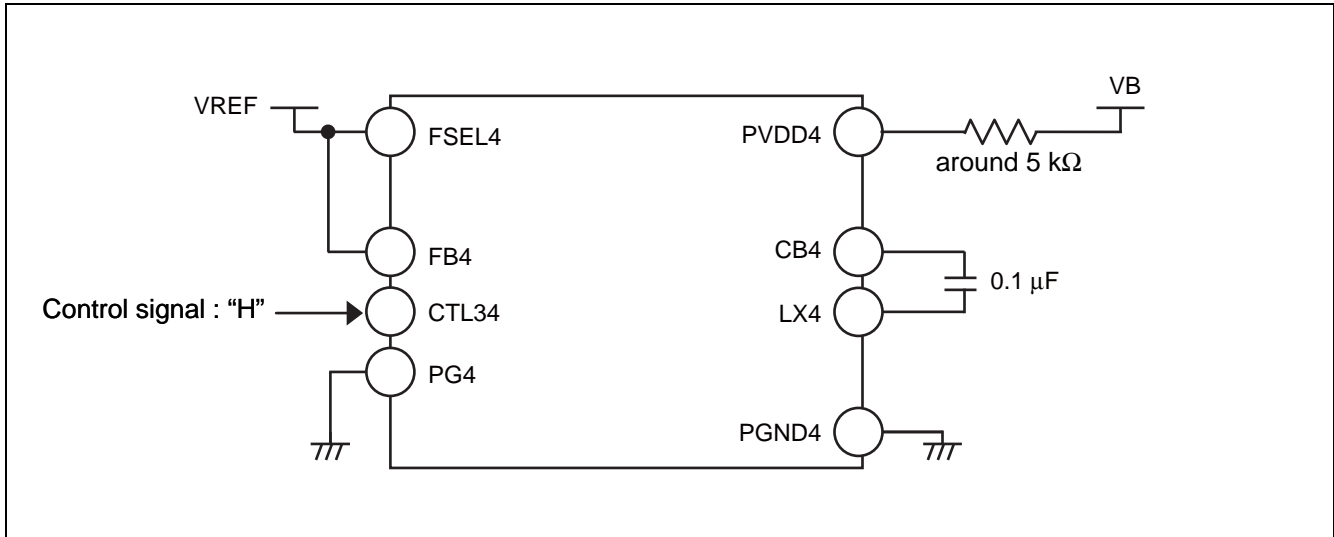
- CH3 and CH4 are not used



### 3. PIN CONNECTION WHEN NOT USING CH4, BUT USING CH3

When CH4 is not used but CH3 is used, connect the PVDD4 pins to VB pin through around 5 kΩ resistor, connect the PG4 pin to Analog ground (AGND), connect 0.1 μF capacitor between CB4 and LX4 pins and connect the PGND4 pin to Power ground, connect FSEL4 and FB4 pins to VREF pin.

- CH4 is not used, but CH3 is used

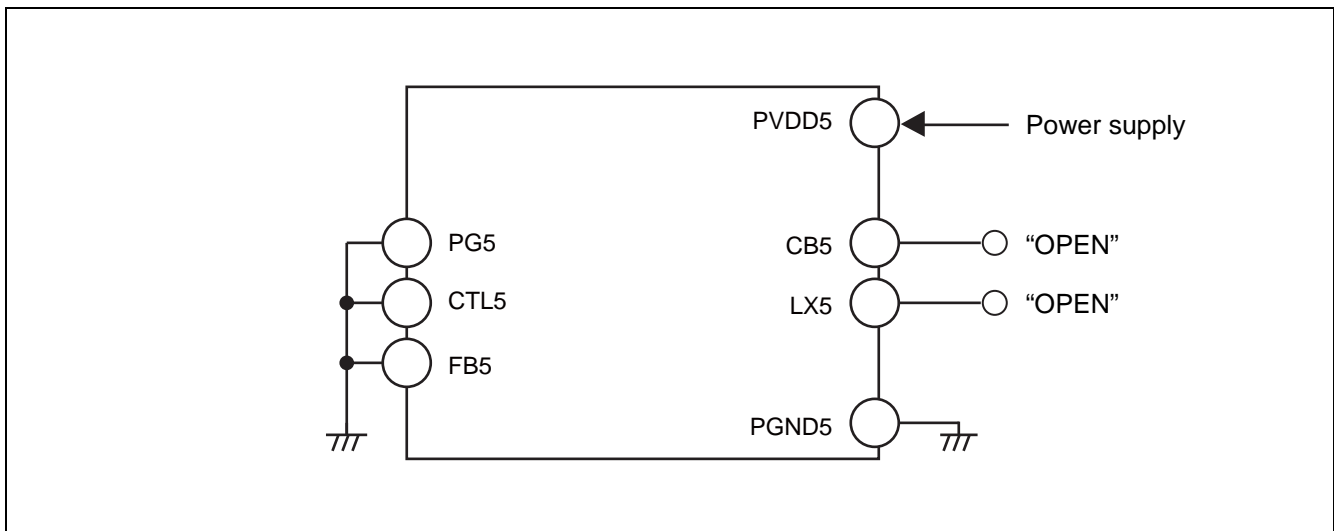


Note : Both CH3 and CH4 become active when CTL34 is on. Connect the pins like shown up above when CH4 is not used but CH3 is used. PVDD4 must not be open.

### 4. PIN CONNECTION WHEN NOT USING CH5

When CH5 is not used, connect the PVDD5 pins to power supply, connect the PG5, CTL5 and FB5 pins to Analog ground (AGND), leave CB5 and LX5 pins open and connect the PGND5 pin to Power ground.

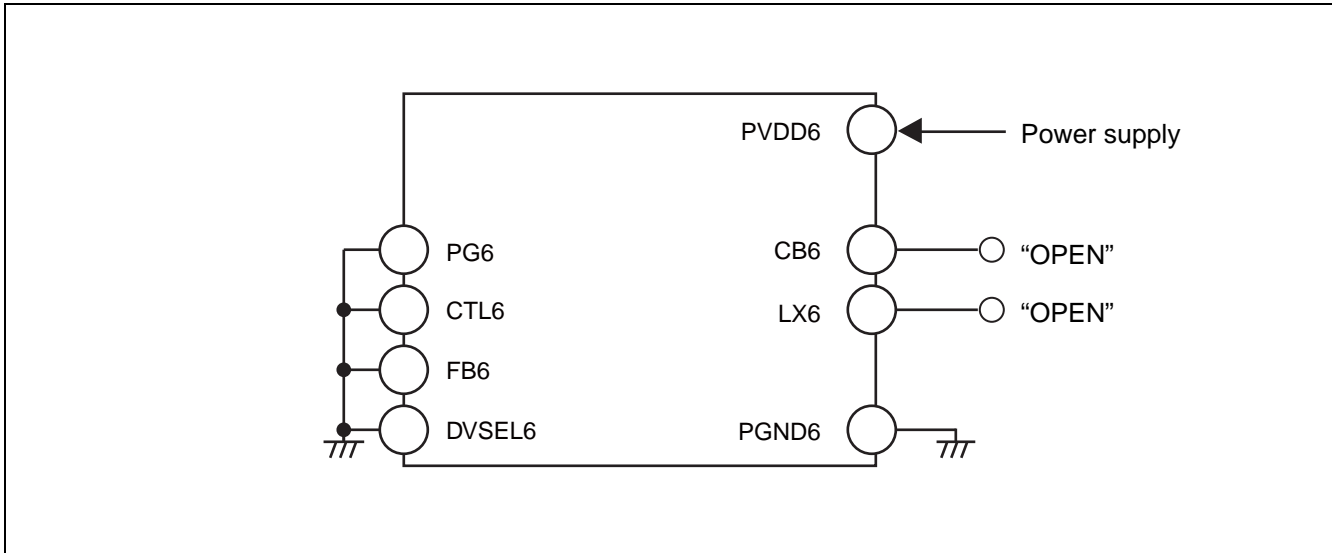
- CH5 is not used



## 5. PIN CONNECTION WHEN NOT USING CH6

When CH6 is not used, connect the PVDD6 pins to power supply, connect the PG6, CTL6, FB6 and DVSEL6 pins to Analog ground (AGND), leave CB6 and LX6 pins open and connect the PGND6 pin to Power ground.

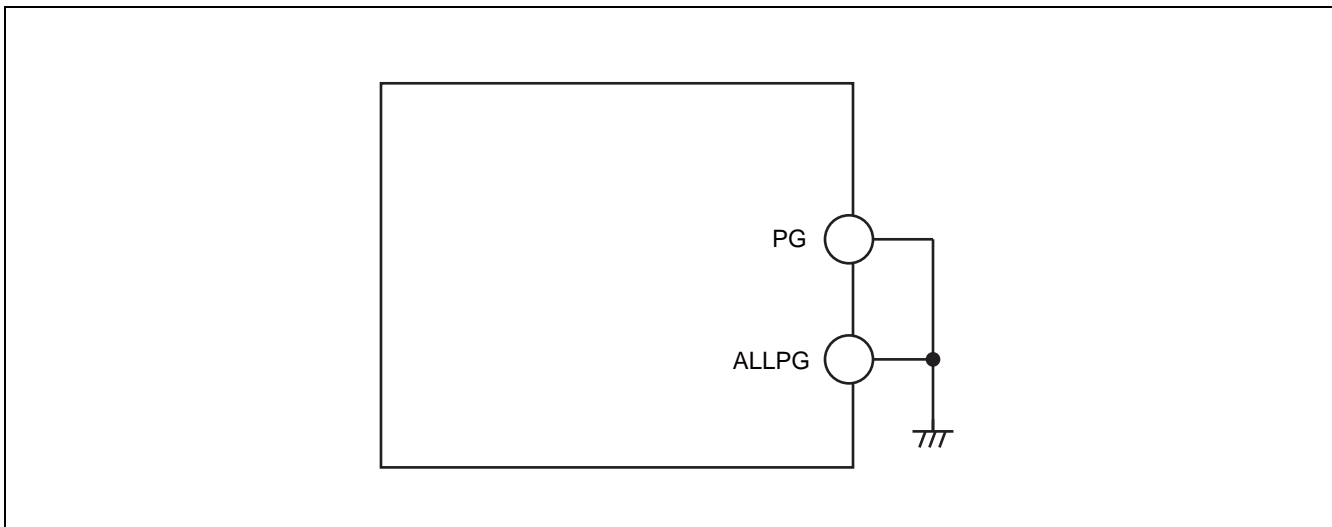
- CH6 is not used



## 6. PIN CONNECTION WHEN NOT USING POWERGOOD FUNCTION

When the Power good function is not used, connect the PG pins or ALLPG pin to Analog ground (AGND).

- PG or ALLPG are not used



## ■ APPLICATION NOTE

### • Inductor Selection

See the “■RECOMMENDED OPERATING CONDITIONS” for the recommended inductance. Furthermore, to confirm whether the current flowing through the inductor is within the rated value, the maximum value of the current flowing through the inductor needs to be found. The maximum current flowing through the inductor can be found from the following formula.

$$I_{LMAX} \geq I_{OMAX} + \frac{\Delta I_L}{2}$$

$$\Delta I_L = \frac{V_{DD} - V_o}{L} \times \frac{V_o}{V_{DD} \times f_{osc}}$$

$I_{LMAX}$  : Maximum current through inductor [A]

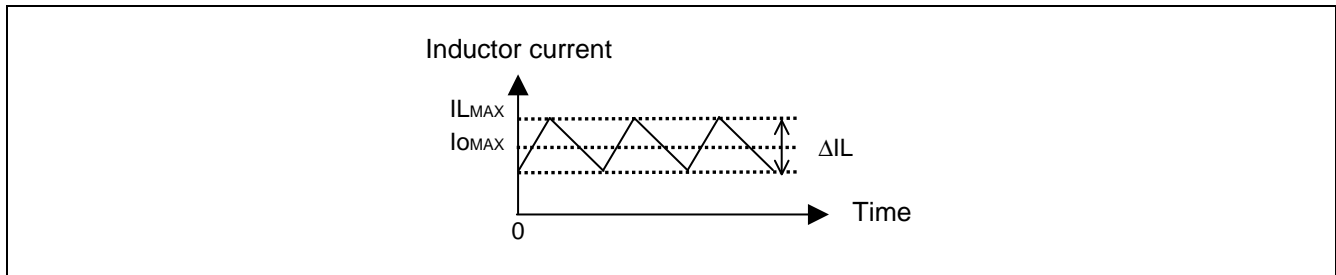
$I_{OMAX}$  : Maximum load current [A]

$\Delta I_L$  : Inductor ripple current peak-to-peak value [A]

$V_{DD}$  : Switching power supply voltage [V]

$V_o$  : Output setting voltage [V]

$f_{osc}$  : Switching frequency [Hz]



- FET Selection (CH1, CH2)

This IC operation requires the voltage which is generated between drain and source on the high-side FET. Set the on resistance of high-side FET within the below range for reference.

CH1 high-side FET on resistance : 24 mΩ to 40 mΩ

CH2 high-side FET on resistance : 12 mΩ to 20 mΩ

The current limit value for over current protection (OCP) is determined by the high-side FET on resistance in use. The current limit value is obtained by the following formula.

$$I_{O1\_OCP} = \frac{0.141}{R_{ON1}} - \frac{0.5}{L \times f_{OSC}} \times \frac{(V_{DD} - V_{O1}) \times V_{O1}}{V_{DD}}$$

$$I_{O2\_OCP} = \frac{0.133}{R_{ON2}} - \frac{0.5}{L \times f_{OSC}} \times \frac{(V_{DD} - V_{O2}) \times V_{O2}}{V_{DD}}$$

$V_{DD}$  : Switching system power supply voltage [V]

$V_O$  : Output setting voltage [V]

$R_{ON}$  : High-side FET on resistance [Ω]

$L$  : Inductor value [H]

$f_{OSC}$  : Switching frequency [Hz]

Also, 2.5 V drive products are recommended for the high-side FET. A bootstrap diode is recommended to connect to the high-side FET for the use of 4 V drive products (see “• Bootstrap Diode Selection” for the detail).

In order to judge whether the electrical current flowing through the FET is within the rated value, the maximum value of the current flowing through the FET needs to be found. The maximum current flowing through the FET can be found from the following formula.

$$I_{D\_MAX} \geq I_{O\_MAX} + \frac{\Delta I_L}{2}$$

$I_{D\_MAX}$  : Maximum value of FET drain current [A]

$I_{O\_MAX}$  : Maximum load current [A]

$\Delta I_L$  : Inductor ripple current peak-to-peak value [A]

Furthermore, in order to judge whether the power dissipation of the FET is within the rated value, the power dissipation of the FET needs to be found. The power dissipation of the high-side FET can be found from the following formula.

$$P_{H\_sideFET} = P_{RON} + P_{SW}$$

$P_{H\_sideFET}$  : High-side FET power dissipation [W]

$P_{RON}$  : High-side FET conducting power dissipation [W]

$P_{SW}$  : High-side FET SW power dissipation [W]

High-side FET conducting power dissipation

$$P_{RON} = (I_{OMAX})^2 \times \frac{V_O}{V_{DD}} \times R_{ON}$$

$P_{RON}$  : High-side FET conducting power dissipation [W]

$I_{OMAX}$  : Maximum load current [A]

$V_{DD}$  : Switching system power supply voltage [V]

$V_O$  : Output setting voltage [V]

$R_{ON}$  : High-side FET on resistance [ $\Omega$ ]

High-side FET switching power dissipation

$$P_{SW} = \frac{V_{DD} \times f_{OSC} \times (I_{btm} \times t_r + I_{top} \times t_f)}{2}$$

$P_{SW}$  : Switching power dissipation [W]

$V_{DD}$  : Switching system power supply voltage [V]

$f_{OSC}$  : Switching frequency (Hz)

$I_{btm}$  : Inductor ripple current bottom value [A]

$I_{top}$  : Inductor ripple current top value [A]

$t_r$  : High-side FET turn-on time [s]

$t_f$  : High-side FET turn-off time [s]

$t_r$  and  $t_f$  can be found simply from the following formula.

$$t_r = \frac{Q_{gd} \times 12}{5 - V_{th}} \quad t_f = \frac{Q_{gd} \times 12}{V_{th}}$$

$Q_{gd}$  : Gate-Drain charge of High-side FET [C]

$V_{th}$  : High-side FET threshold voltage [V]

The power dissipation of the Low-side FET can be found from the following formula.

$$P_{LsideFET} = P_{Ron} = (I_{OMAX})^2 \times \left(1 - \frac{V_O}{V_{DD}}\right) \times R_{on}$$

$P_{Ron}$  : Low-side FET conducting power dissipation [W]

$I_{OMAX}$  : Maximum load current [A]

$V_{DD}$  : Switching power supply voltage [V]

$V_O$  : Output setting voltage [V]

$R_{on}$  : Low-side FET on resistance [ $\Omega$ ]

Note : The transition voltage of the voltage between the drain and source of the Low-side FET is generally small and the switching power loss is negligible. Therefore it has been omitted from this formula.

- Input Capacitor Selection

Because this IC uses the C-Mode system, it is recommended to use ceramic capacitors with a small ESR. See the “■ RECOMMENDED OPERATING CONDITIONS” for the value of the capacitance.

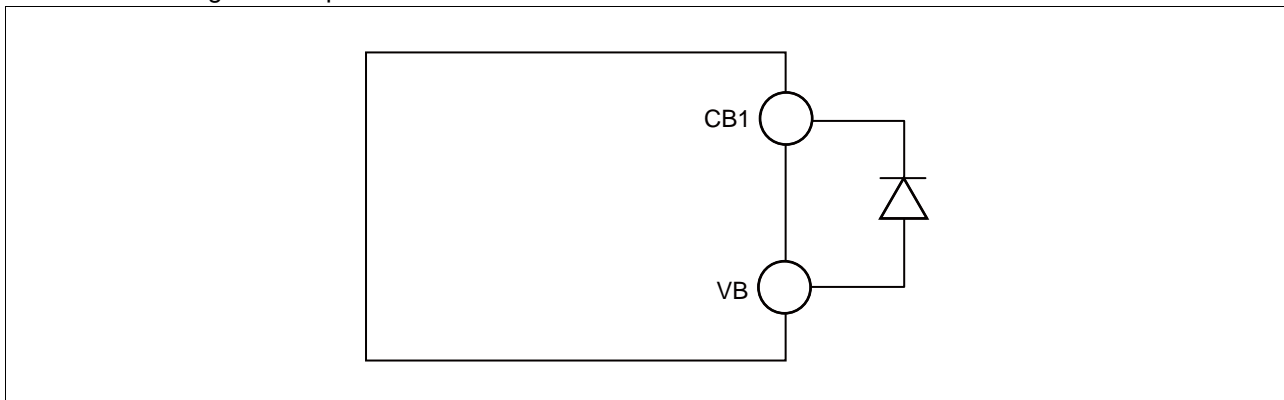
- Output Capacitor Selection

Because this IC uses the C-Mode system, it is recommended to use ceramic capacitors with a small ESR. See the “■ RECOMMENDED OPERATING CONDITIONS” for the value of the capacitance.

- Bootstrap Diode Selection

It is not necessary to connect diode to the outside device normally because this device contains a bootstrap diode. However, it is recommended to add a shotkey barrier diode (SBD) when 4 V drive products is used for CH1 and CH2 switching FET. In this case, select the smallest forward current possible and connect as the figure below.

- When adding bootstrap SBD to CH1



The current to drive on the gate of high-side FET flows to the SBD of the bootstrap diode. The average current can be found by the following formula. However, set the current which does not exceed the maximum rating.

$$I_D \geq Q_g \times f_{osc}$$

$I_D$  : Forward current [A]

$Q_g$  : Total gate electric charge of high-side FET [C]

$f_{osc}$  : Switching frequency [Hz]

The voltage rating of bootstrap capacitor can be found by the following formula.

$$V_{R\_BOOT} > V_{DD}$$

$V_{R\_BOOT}$  : Bootstrap diode DC reverse voltage [V]

$V_{DD}$  : Switching power supply voltage [V]

- Bootstrap Capacitor Selection

Although the default bootstrap capacitor (the capacitor between CB and LX) is 0.1 μF, this may need to be adjusted if the FET used on CH1 and CH2 have a large Qg. The bootstrap capacitor needs to be able to charge sufficiently to drive the gate of the High-side FET. As a rough guide, select a capacitor with a minimum value of capacitance that is able to accumulate approximately 10 times the charge of the Qg of the High-side FET.

$$C_{CB} \geq 10 \times \frac{Q_g}{V_{CB}}$$

C<sub>CB</sub> : Bootstrap capacitance [F]

Q<sub>g</sub> : High-side SWFET gate charge [C]

V<sub>CB</sub> : CB voltage (4.3 V)

- VB Capacitor Selection

Although the default VB capacitor is 1 μF, this may need to be adjusted if the FET used on CH1 and CH2 have a large Qg. The VB capacitor needs to be able to charge sufficiently to drive the gate of the High-side FET. As a rough guide, select a capacitor with a minimum value of capacitance that is able to accumulate approximately 50 times the charge of the Qg of the High-side FET.

$$C_{VB} \geq 50 \times \left( \frac{Q_{gH_{12}} + 9.3 \times 10^{-9}}{V_{CB}} + \frac{Q_{gL_{12}} + 23 \times 10^{-9}}{V_{VB}} \right)$$

C<sub>VB</sub> : VB capacitance [F]

Q<sub>gH<sub>12</sub></sub> : Total gate charge of High-side FET for CH1 and CH2 [C] (Total when V<sub>gs</sub> = 4.3 V)

Q<sub>gL<sub>12</sub></sub> : Total gate charge of Low-side FET for CH1 and CH2 [C] (Total when V<sub>gs</sub> = 5 V)

V<sub>VB</sub> : VB voltage (5 V)

V<sub>CB</sub> : CB voltage (4.3 V)

- Power Dissipation and Thermal Design

Although these does not need to be examined in most cases because the IC is highly efficient, Dissipation and the thermal design may need to be investigate if the IC is used with high power supply voltages, high oscillator frequencies, high loads, or at high temperatures.

The internal IC power dissipation ( $P_{IC}$ ) can be found from the following formula.

$$P_{IC} = V_{DD} \times (I_{DD} + Qg_{12} + 32 \times 10^{-9}) \times f_{OSC} + P_{H\text{sideFET3-6}} + P_{L\text{sideFET3-6}}$$

$P_{IC}$  : Internal IC power dissipation [W]

$V_{DD}$  : Power supply voltage ( $V_{IN}$ ) [V]

$I_{DD}$  : Power supply current [A] (250  $\mu$ A Typ)

$Qg_{12}$  : Total gate charge of High-side FET ( $V_{GS} = 4.3$  V) and Low-side FET ( $V_{GS} = 5$  V) for CH1 and CH2 [C]

$f_{OSC}$  : Switching frequency [Hz]

$P_{H\text{sideFET3-6}}$  : Total High-side SWFET power dissipation of internal High-side FET [W]

$P_{L\text{sideFET3-6}}$  : Total Low-side SWFET power dissipation of internal Low-side FET [W]

Furthermore, the power dissipation of the High-side FET of each built-in channel can be found from the following formula.

$$P_{H\text{sideFET}} = P_{RON} + P_{SW}$$

$P_{H\text{sideFET}}$  : High-side FET power dissipation [W]

$P_{RON}$  : High-side FET conducting power dissipation [W]

$P_{SW}$  : High-side FET switching power dissipation [W]

High-side FET conducting power dissipation

$$P_{RON} = (I_{O\text{MAX}})^2 \frac{V_O}{V_{DD}} \times R_{ON}$$

$P_{RON}$  : High-side FET conducting power dissipation [W]

$I_{O\text{MAX}}$  : Maximum load current [A]

$V_{DD}$  : Switching power supply voltage [V]

$V_O$  : Output setting voltage [V]

$R_{ON}$  : On resistance of High-side FET [ $\Omega$ ]

High-side FET switching power dissipation

$$P_{SW} = \frac{V_{DD} \times f_{osc} \times (I_{btm} \times t_r + I_{top} \times t_f)}{2}$$

$P_{SW}$  : SW power dissipation [W]

$V_{DD}$  : Switching system power supply voltage [V]

$f_{osc}$  : Oscillation frequency (Hz)

$I_{btm}$  : Inductor ripple current bottom value [A]

$I_{top}$  : Inductor ripple current top value [A]

$t_r$  : High-side FET turn-on time [s]

$t_f$  : High-side FET turn-off time [s]

$t_r$  and  $t_f$  are simply given by the following values.

$$t_r = 4 \text{ ns} \quad t_f = 4 \text{ ns}$$

The power dissipation of the Low-side FET can be found from the following formula.

$$P_{Ron} = (I_{OMAX})^2 \times \left(1 - \frac{V_o}{V_{DD}}\right) \times R_{on}$$

$P_{Ron}$  : Low-side FET conducting power dissipation [W]

$I_{OMAX}$  : Maximum load current [A]

$V_{DD}$  : Switching system power supply voltage [V]

$V_o$  : Output setting voltage [V]

$R_{on}$  : Low-side FET on resistance [ $\Omega$ ]

Note : The transition voltage of the voltage between the drain and source of the Low-side FET is generally small and the switching power loss is negligible. Therefore it has been omitted from this formula.

The junction temperature ( $T_j$ ) can be found from the following formula.

$$T_j = T_a + \theta_{ja} \times P_{IC}$$

$T_j$  : Junction temperature [°C] (+ 125 °C Max)

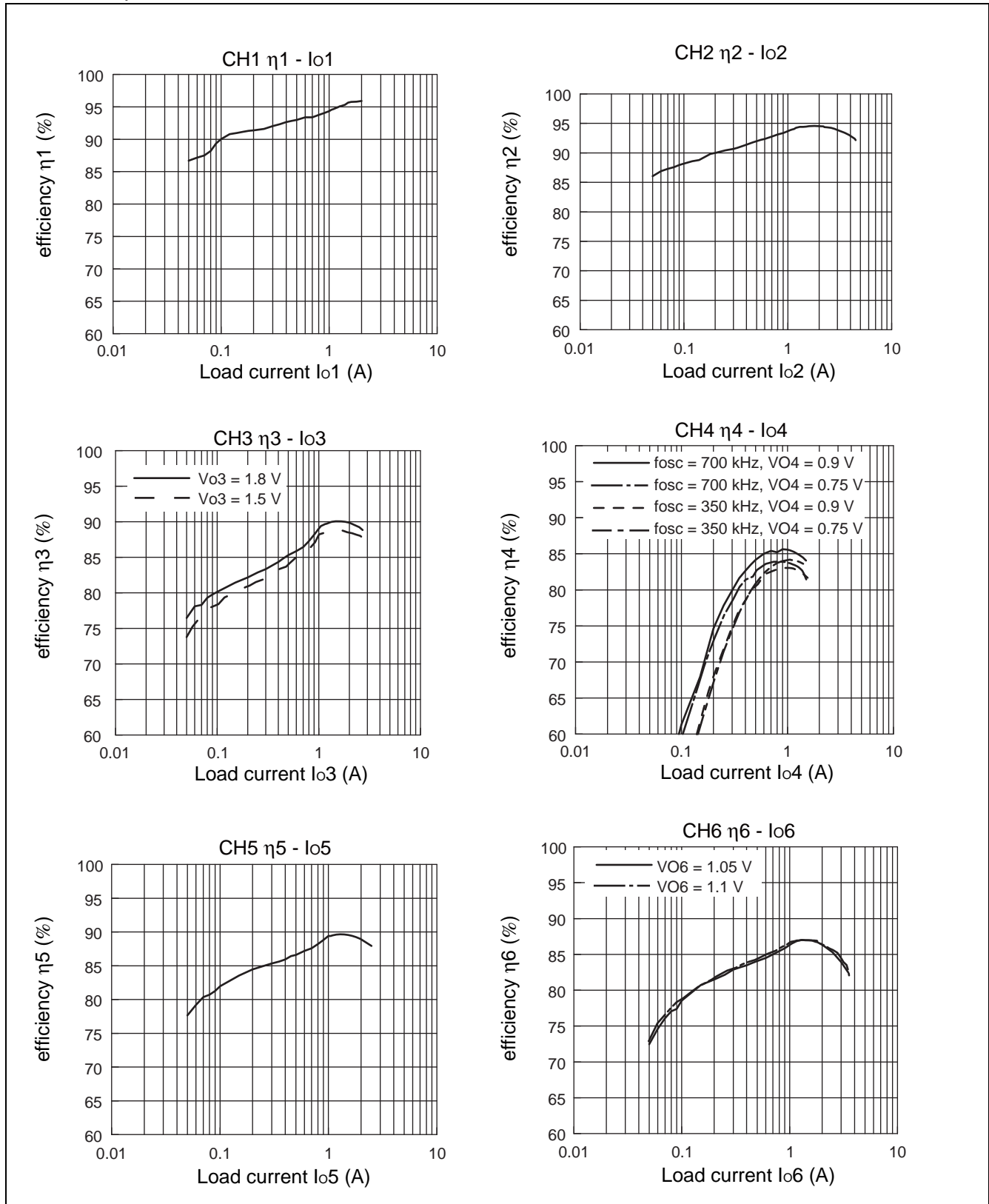
$T_a$  : Ambient temperature [°C]

$\theta_{ja}$  : PFBGA-208 package thermal resistance (34 °C/W)

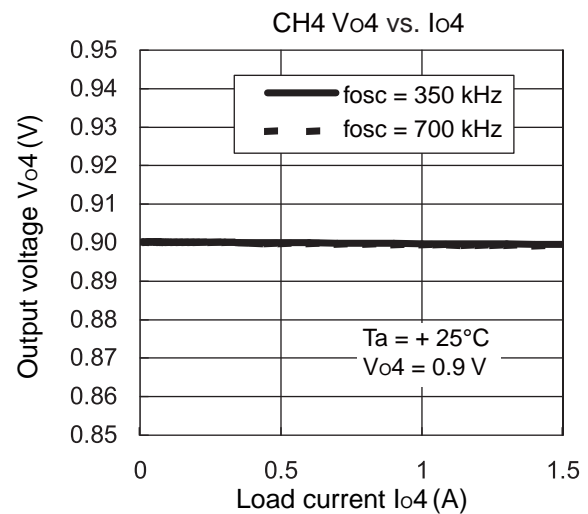
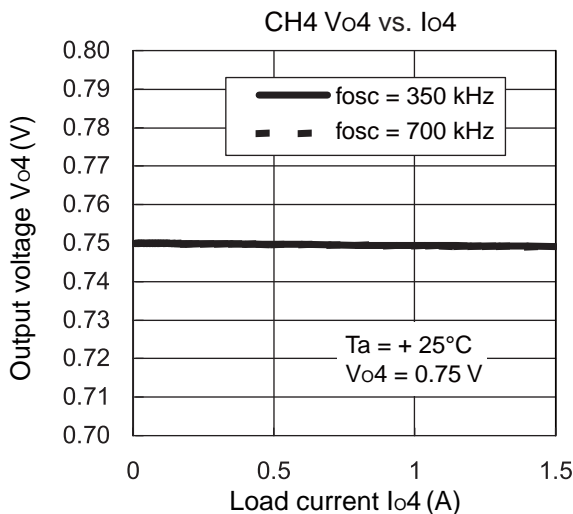
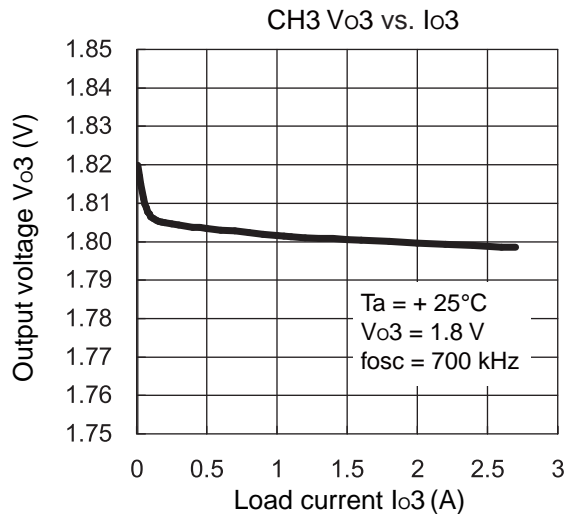
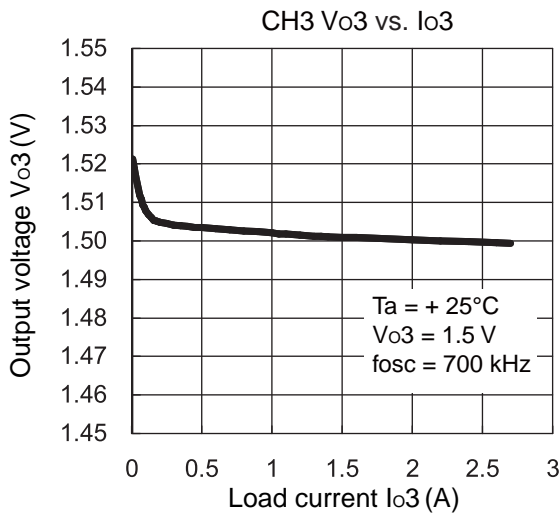
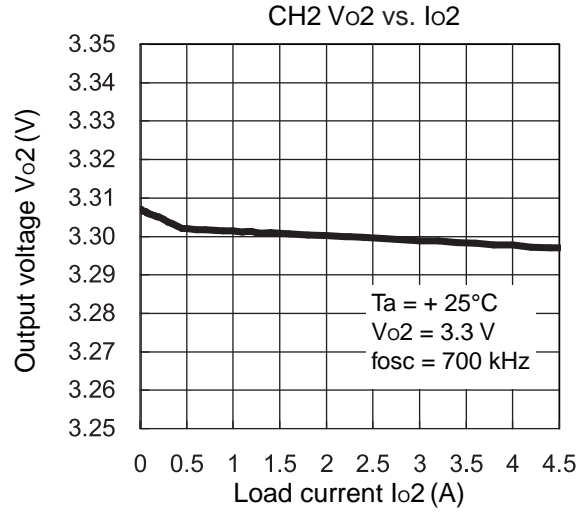
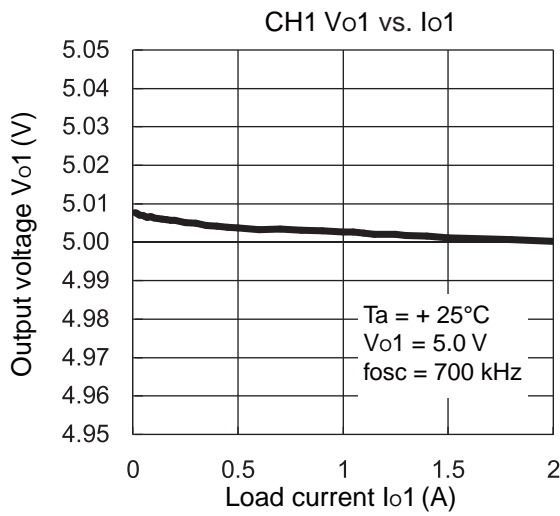
$P_{IC}$  : IC power dissipation [W]

## REFERENCE DATA

- Efficiency vs. load current

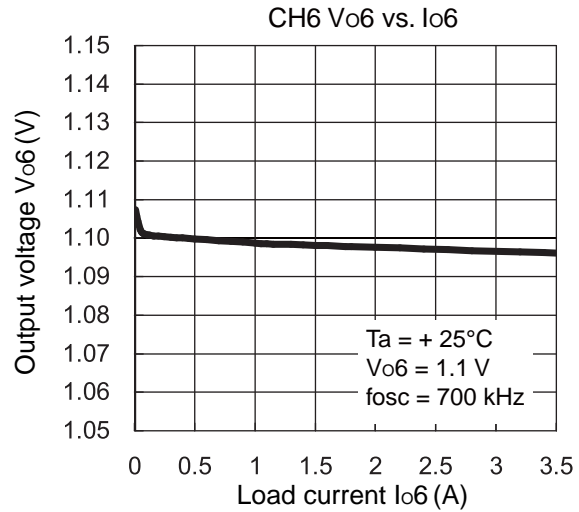
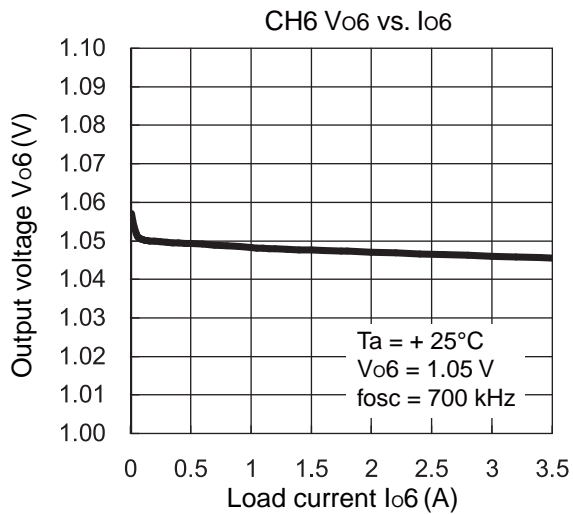
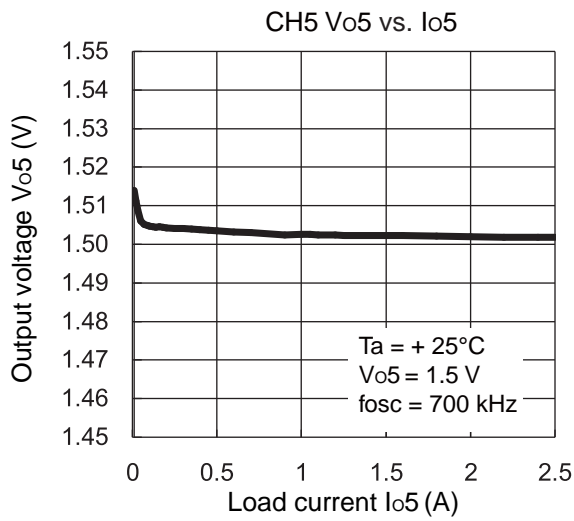


• Load regulation

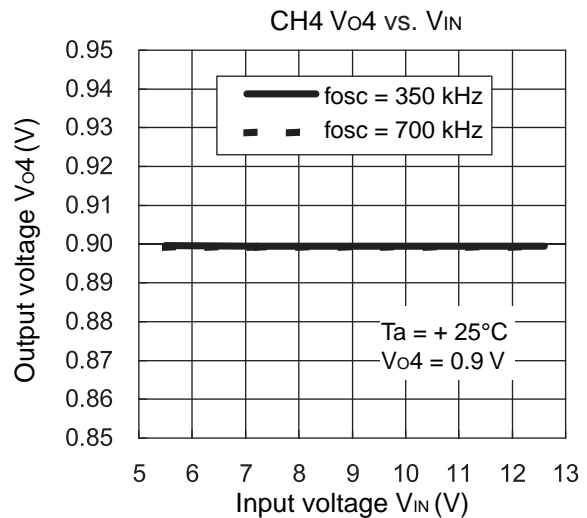
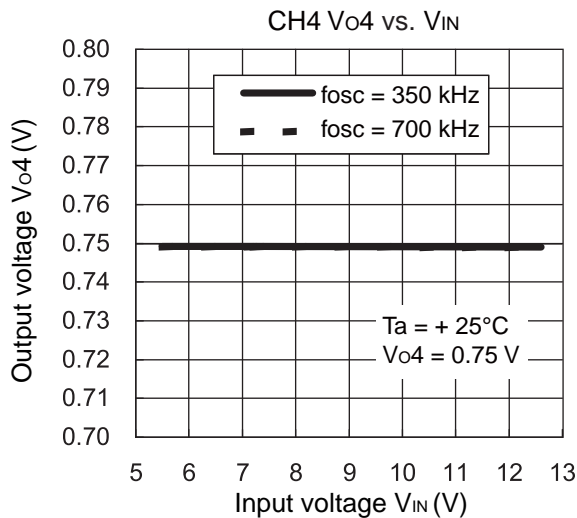
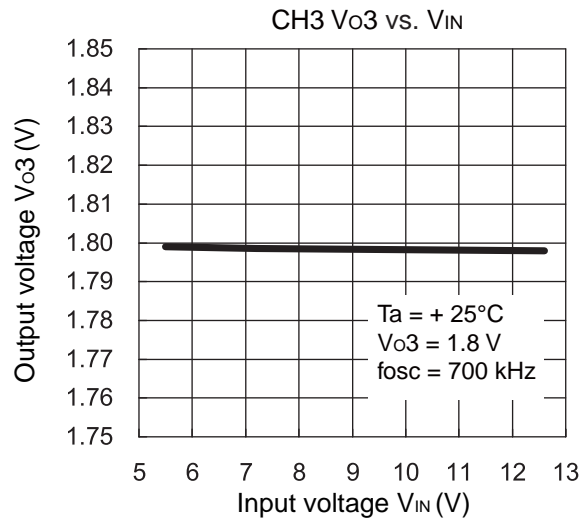
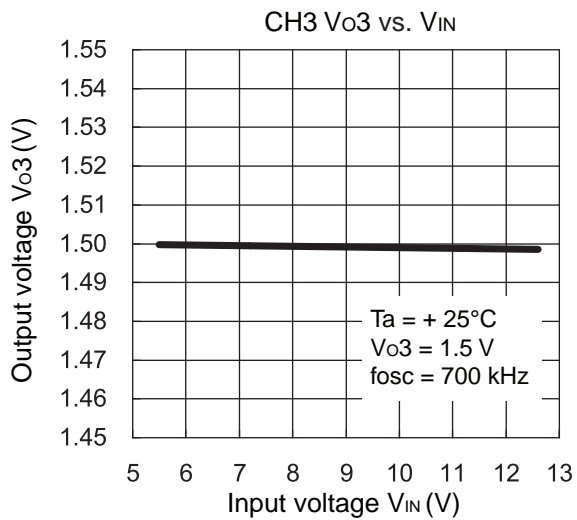
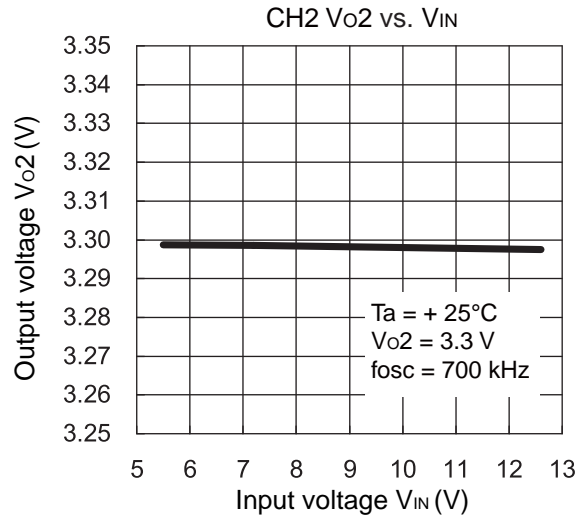
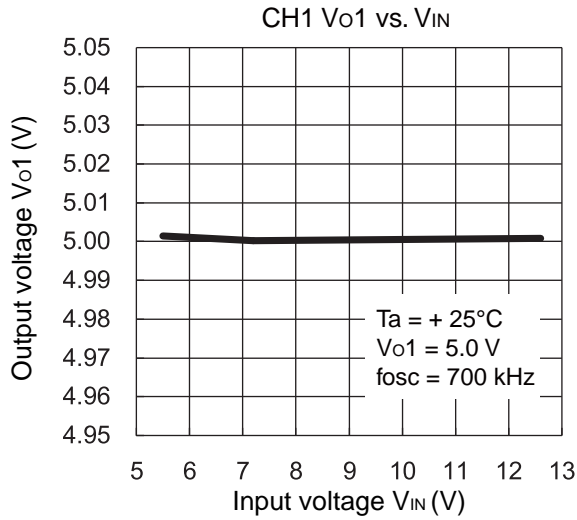


(Continued)

(Continued)

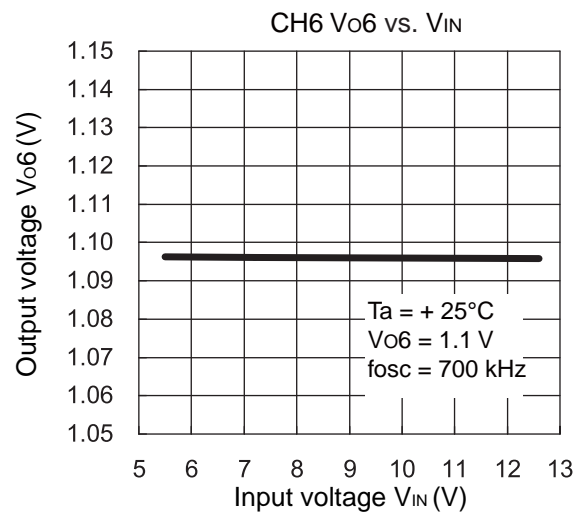
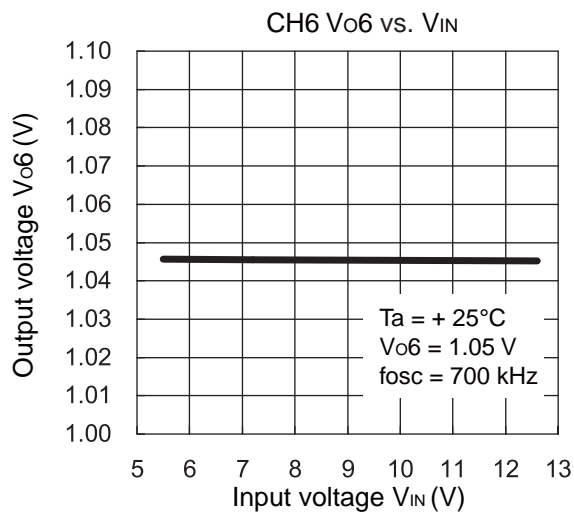
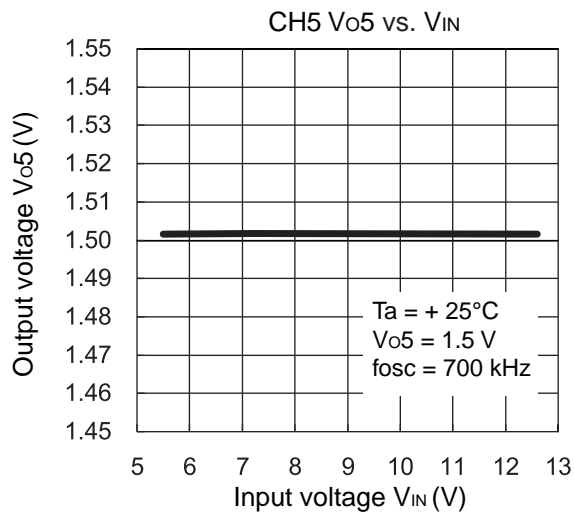


• Line regulation



(Continued)

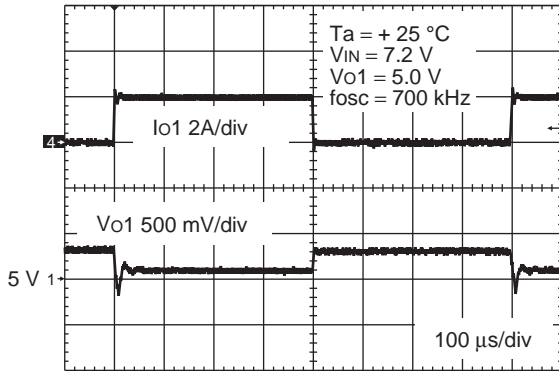
(Continued)



• Waveforms at load step response

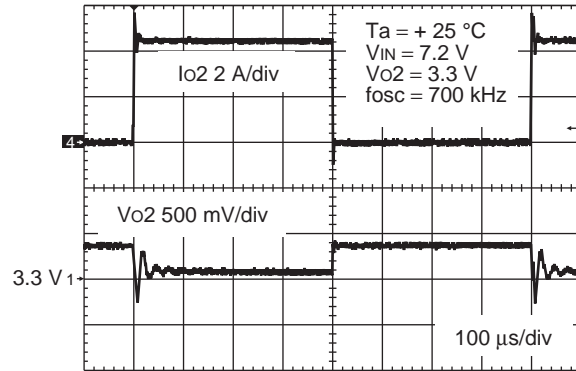
CH1 (Vo1 = 5.0 V)

Io1 = 0 A  $\leftrightarrow$  2 A, Io1 slew rate = 2 A/ $\mu$ s



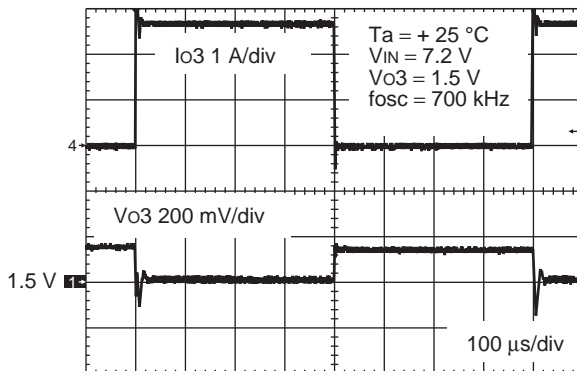
CH2 (Vo2 = 3.3 V)

Io2 = 0 A  $\leftrightarrow$  4.5 A, Io2 slew rate = 4.5 A/ $\mu$ s



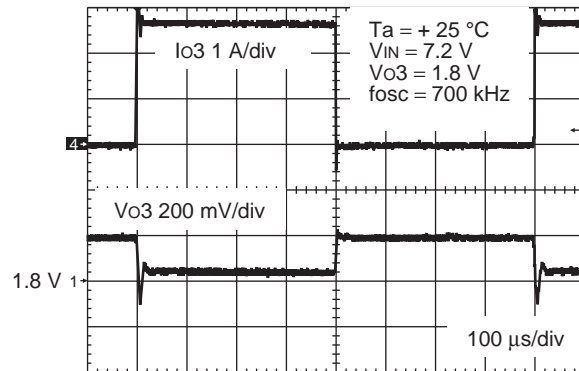
CH3 (Vo3 = 1.5 V)

Io3 = 0 A  $\leftrightarrow$  2.7 A, Io3 slew rate = 2.7 A/ $\mu$ s



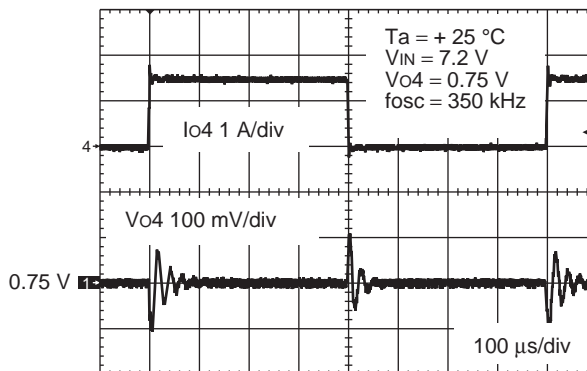
CH3 (Vo3 = 1.8 V)

Io3 = 0 A  $\leftrightarrow$  2.7 A, Io3 slew rate = 2.7 A/ $\mu$ s



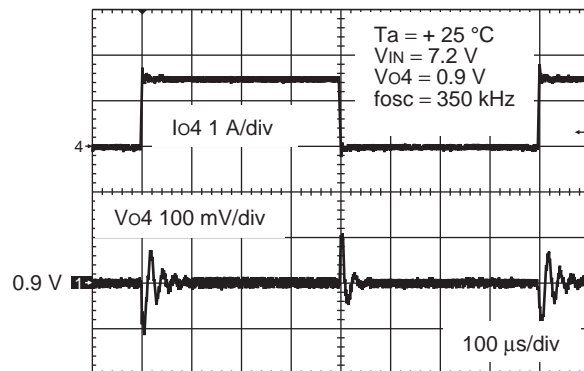
CH4 (fosc = 350 kHz, Vo4 = 0.75 V)

Io4 = 0 A  $\leftrightarrow$  1.5 A, Io4 slew rate = 1.5 A/ $\mu$ s



CH4 (fosc = 350 kHz, Vo4 = 0.9 V)

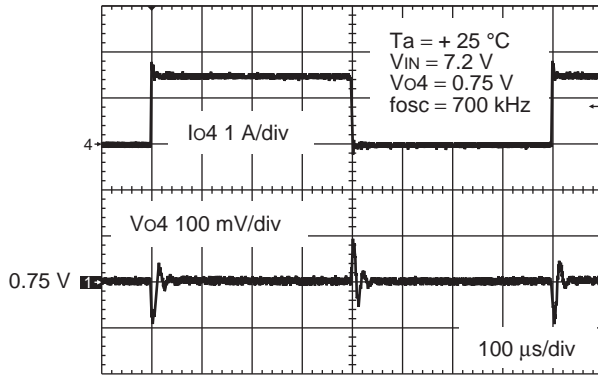
Io4 = 0 A  $\leftrightarrow$  1.5 A, Io4 slew rate = 1.5 A/ $\mu$ s



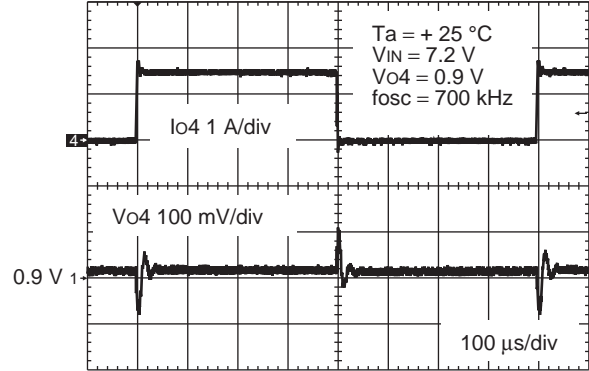
(Continued)

(Continued)

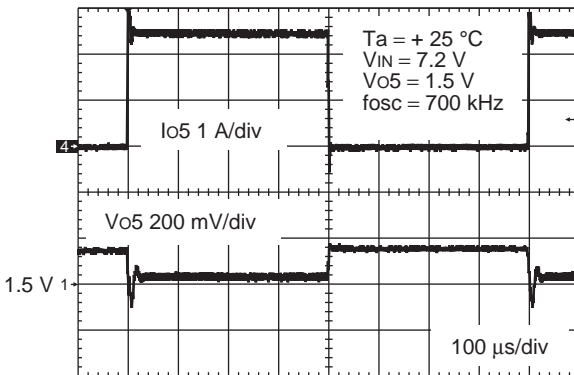
CH4 (fosc = 700 kHz, Vo4 = 0.75 V)  
Io4 = 0 A ↔ 1.5 A, Io4 slew rate = 1.5 A/μs



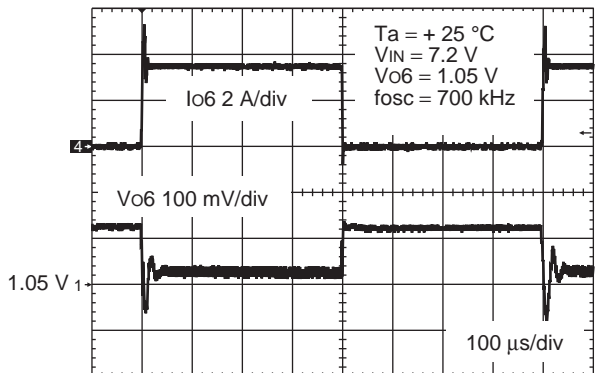
CH4 (fosc = 700 kHz, Vo4 = 0.9 V)  
Io4 = 0 A ↔ 1.5 A, Io4 slew rate = 1.5 A/μs



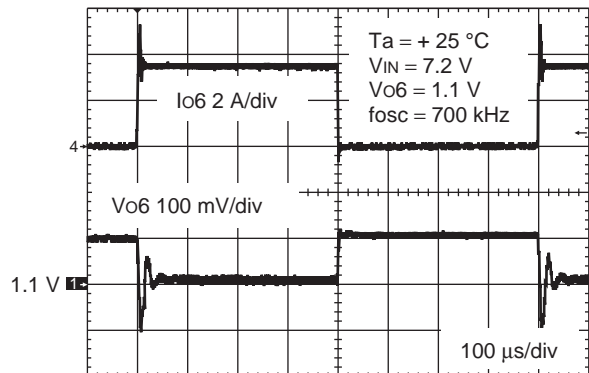
CH5 (Vo5 = 1.5 V)  
Io5 = 0 A ↔ 2.5 A, Io5 slew rate = 2.5 A/μs



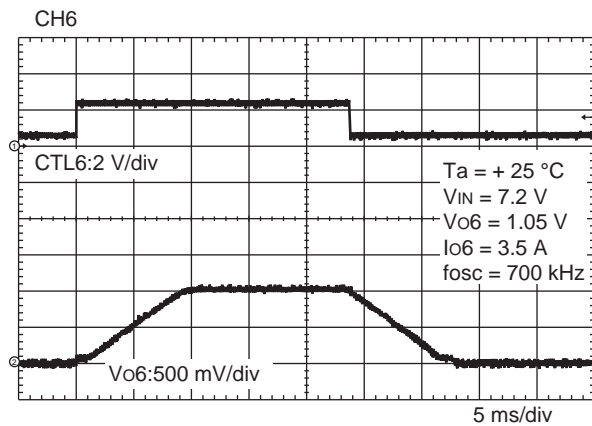
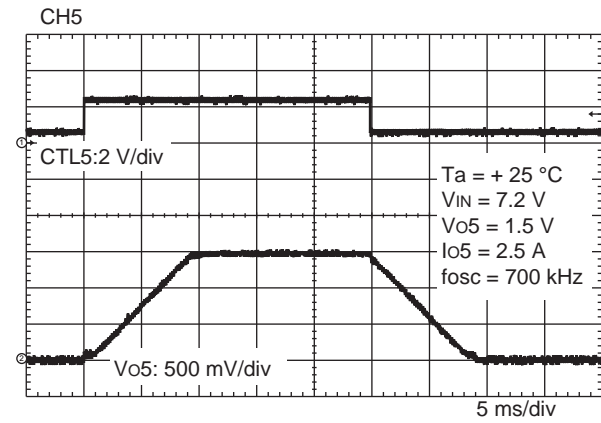
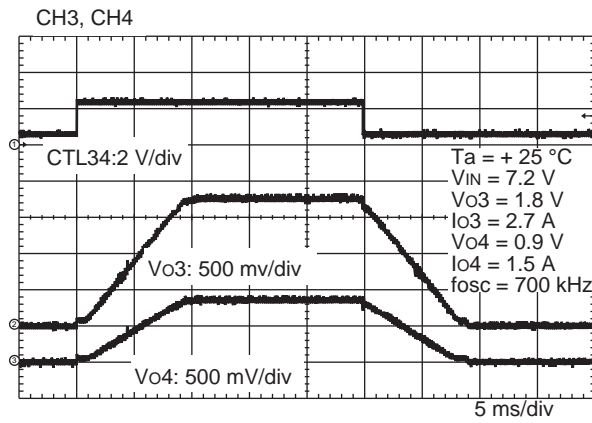
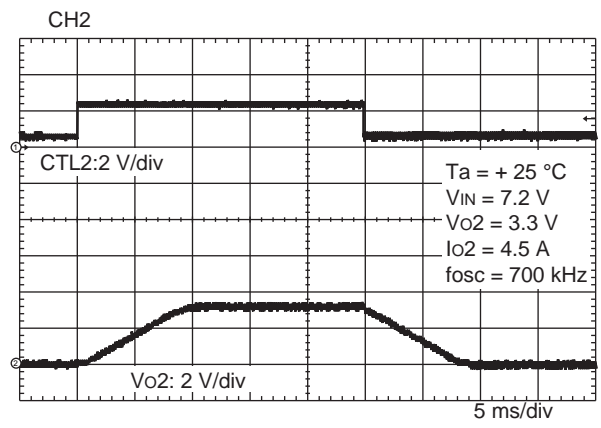
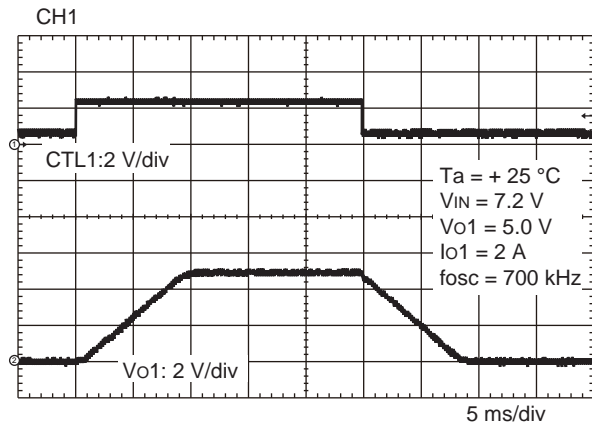
CH6 (Vo6 = 1.05 V)  
Io6 = 0 A ↔ 3.5 A, Io6 slew rate = 3.5 A/μs



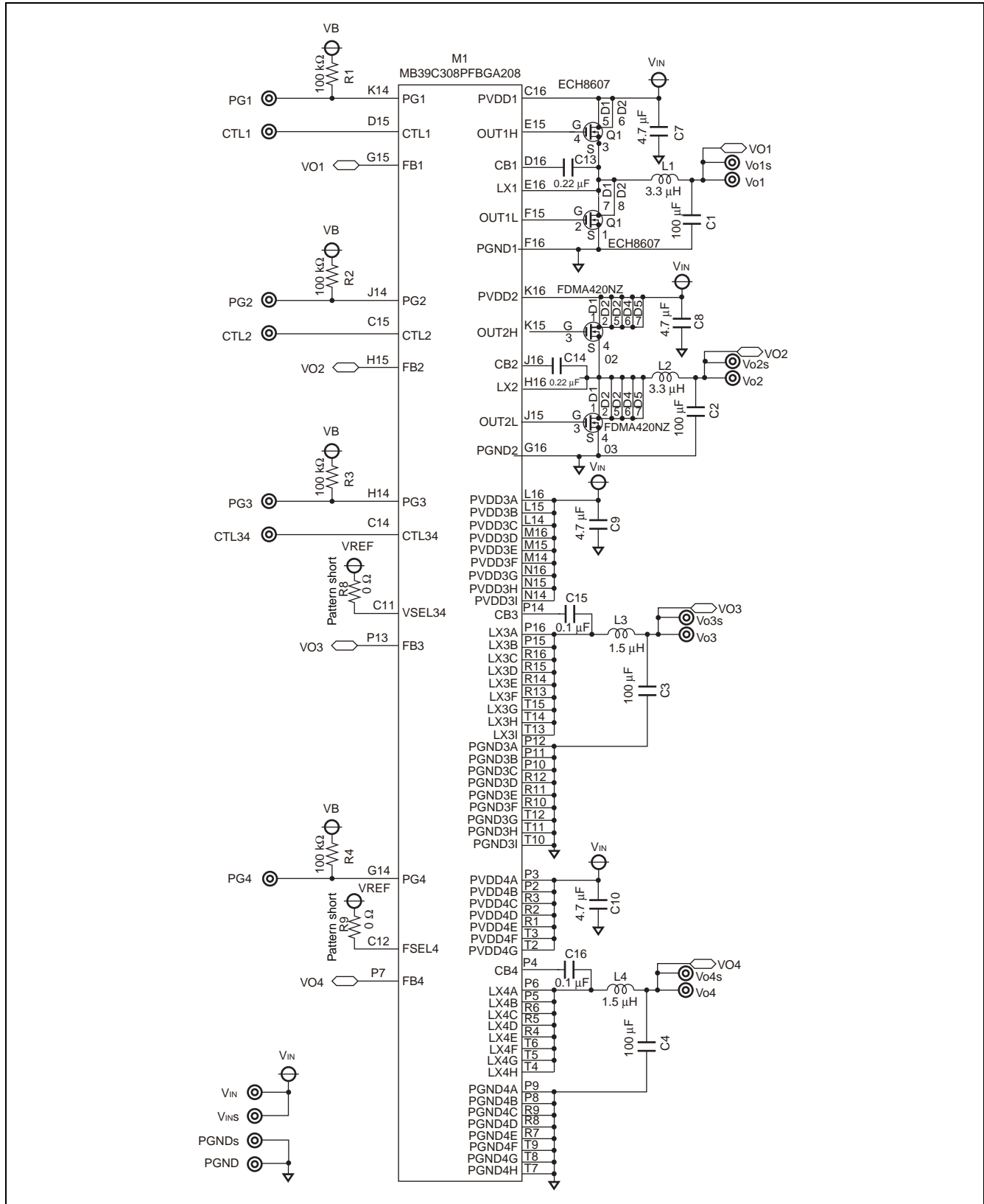
CH6 (Vo6 = 1.1 V)  
Io6 = 0 A ↔ 3.5 A, Io6 slew rate = 3.5 A/μs



• Waveform at Soft-start and Soft-stop



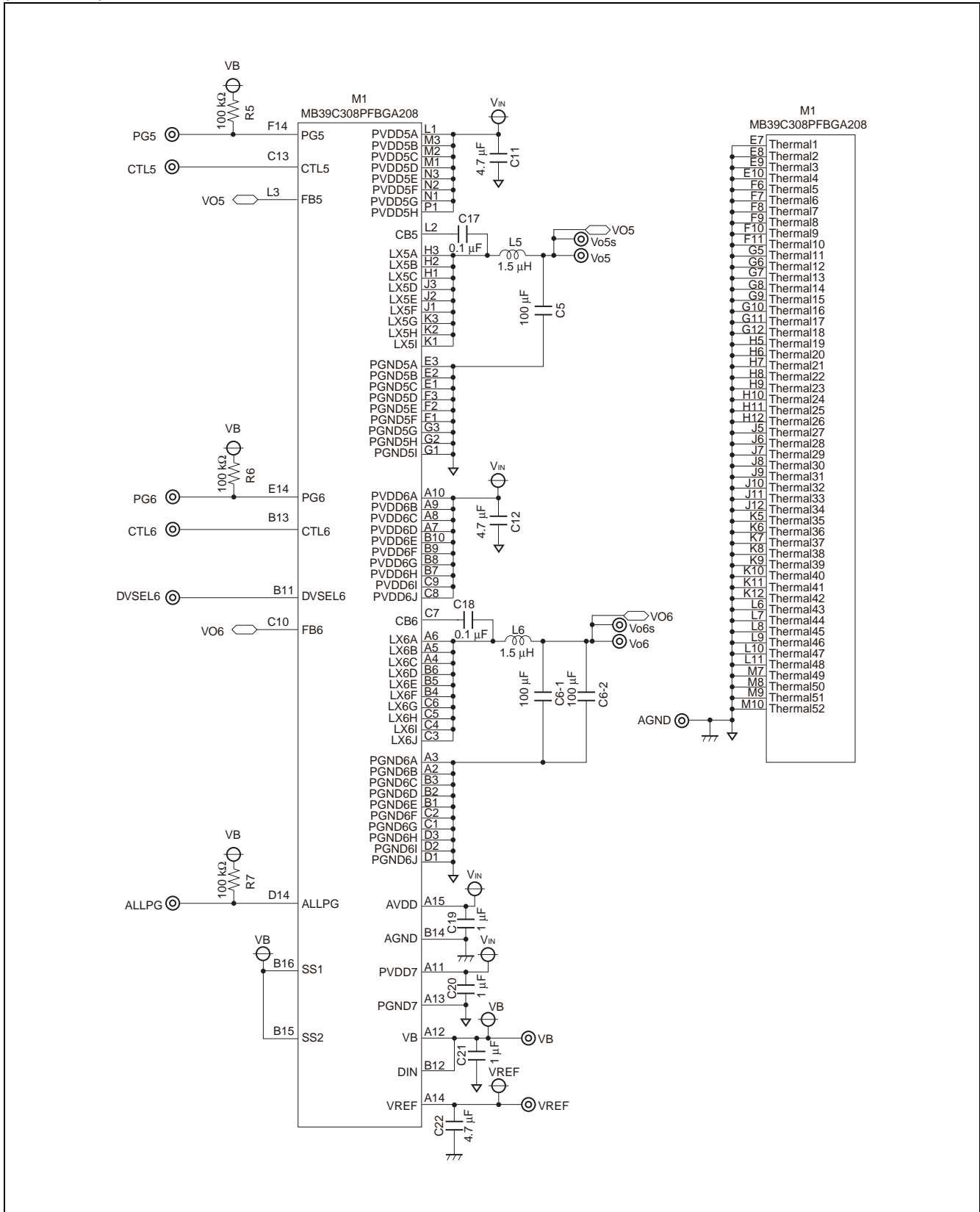
## TYPICAL APPLICATION CIRCUIT



(Continued)

# MB39C308

(Continued)



## ■ PARTS LIST

| Symbol | Part name         | Model name         | Specification  | Package   | Vendor     | Remarks                   |
|--------|-------------------|--------------------|--|-----------|------------|---------------------------|
| M1     | IC                | MB39C308           | —  | PFBGA-208 | FML        | —                         |
| Q1     | N-ch Dual MOSFET  | ECH8607            | $V_{DS} = 30\text{ V}$ ,<br>$I_D = 5\text{ A (Max)}$   | ECH8      | SANYO      | Ch1<br>High &<br>Low-side |
| Q2-1   | N-ch MOSFET       | FDMA420NZ          | $V_{DS} = 20\text{ V}$ ,<br>$I_D = 5.7\text{ A (Max)}$ | MLP2x2-6L | FAIR-CHILD | Ch2<br>High-side          |
| Q3-1   | N-ch MOSFET       | FDMA420NZ          | $V_{DS} = 20\text{ V}$ ,<br>$I_D = 5.7\text{ A (Max)}$ | MLP2x2-6L | FAIR-CHILD | Ch2<br>Low-side           |
| Q2-2   | N-ch MOSFET       | —                  | —  | SOT-6     | —          | (Ch2<br>High-side)        |
| Q3-2   | N-ch MOSFET       | —                  | —  | TSOP-6    | —          | (Ch2<br>Low-side)         |
| R1     | Resistor          | RR0816P-104-D      | 100 k $\Omega$   | 1608      | SSM        | PG                        |
| R2     | Resistor          | RR0816P-104-D      | 100 k $\Omega$   | 1608      | SSM        | PG                        |
| R3     | Resistor          | RR0816P-104-D      | 100 k $\Omega$   | 1608      | SSM        | PG                        |
| R4     | Resistor          | RR0816P-104-D      | 100 k $\Omega$   | 1608      | SSM        | PG                        |
| R5     | Resistor          | RR0816P-104-D      | 100 k $\Omega$   | 1608      | SSM        | PG                        |
| R6     | Resistor          | RR0816P-104-D      | 100 k $\Omega$   | 1608      | SSM        | PG                        |
| R7     | Resistor          | RR0816P-104-D      | 100 k $\Omega$   | 1608      | SSM        | PG                        |
| R8     | Resistor          | —                  | Pattern short  | —         | —          | VSEL34                    |
| R9     | Resistor          | —                  | Pattern short  | —         | —          | FSEL4                     |
| C1     | Ceramic Capacitor | C3225JB0J107M      | 100 $\mu\text{F}$ (6.3 V)                              | 3225      | TDK        | VO                        |
| C2     | Ceramic Capacitor | C3225JB0J107M      | 100 $\mu\text{F}$ (6.3 V)                              | 3225      | TDK        | VO                        |
| C3     | Ceramic Capacitor | GRM31CR60G107ME39L | 100 $\mu\text{F}$ (4 V)                                | 3216      | MURATA     | VO                        |
| C4     | Ceramic Capacitor | GRM31CR60G107ME39L | 100 $\mu\text{F}$ (4 V)                                | 3216      | MURATA     | VO                        |
| C5     | Ceramic Capacitor | GRM31CR60G107ME39L | 100 $\mu\text{F}$ (4 V)                                | 3216      | MURATA     | VO                        |
| C6-1   | Ceramic Capacitor | GRM31CR60G107ME39L | 100 $\mu\text{F}$ (4 V)                                | 3216      | MURATA     | VO                        |
| C6-2   | Ceramic Capacitor | GRM31CR60G107ME39L | 100 $\mu\text{F}$ (4 V)                                | 3216      | MURATA     | VO                        |
| C7     | Ceramic Capacitor | C2012JB1C475K      | 4.7 $\mu\text{F}$ (16 V)                               | 2012      | TDK        | PVDD                      |
| C8     | Ceramic Capacitor | C2012JB1C475K      | 4.7 $\mu\text{F}$ (16 V)                               | 2012      | TDK        | PVDD                      |
| C9     | Ceramic Capacitor | C2012JB1C475K      | 4.7 $\mu\text{F}$ (16 V)                               | 2012      | TDK        | PVDD                      |
| C10    | Ceramic Capacitor | C2012JB1C475K      | 4.7 $\mu\text{F}$ (16 V)                               | 2012      | TDK        | PVDD                      |
| C11    | Ceramic Capacitor | C2012JB1C475K      | 4.7 $\mu\text{F}$ (16 V)                               | 2012      | TDK        | PVDD                      |
| C12    | Ceramic Capacitor | C2012JB1C475K      | 4.7 $\mu\text{F}$ (16 V)                               | 2012      | TDK        | PVDD                      |

(Continued)

# MB39C308

(Continued)

| Symbol | Part name         | Model name      | Specification       | Package | Vendor       | Remarks |
|--------|-------------------|-----------------|---------------------|---------|--------------|---------|
| C13    | Ceramic Capacitor | C1608JB1E224K   | 0.22 $\mu$ F (25 V) | 1608    | TDK          | CB      |
| C14    | Ceramic Capacitor | C1608JB1E224K   | 0.22 $\mu$ F (25 V) | 1608    | TDK          | CB      |
| C15    | Ceramic Capacitor | C1608JB1H104K   | 0.1 $\mu$ F (50 V)  | 1608    | TDK          | CB      |
| C16    | Ceramic Capacitor | C1608JB1H104K   | 0.1 $\mu$ F (50 V)  | 1608    | TDK          | CB      |
| C17    | Ceramic Capacitor | C1608JB1H104K   | 0.1 $\mu$ F (50 V)  | 1608    | TDK          | CB      |
| C18    | Ceramic Capacitor | C1608JB1H104K   | 0.1 $\mu$ F (50 V)  | 1608    | TDK          | CB      |
| C19    | Ceramic Capacitor | C1608JB1C105K   | 1 $\mu$ F (16 V)    | 1608    | TDK          | AVDD    |
| C20    | Ceramic Capacitor | C1608JB1C105K   | 1 $\mu$ F (16 V)    | 1608    | TDK          | PVDD7   |
| C21    | Ceramic Capacitor | C1608JB1C105K   | 1 $\mu$ F (16 V)    | 1608    | TDK          | VB      |
| C22    | Ceramic Capacitor | C1608JB1A475K   | 4.7 $\mu$ F (10 V)  | 1608    | TDK          | VREF    |
| L1     | Inductor          | RLF7030-3R3M4R1 | 3.3 $\mu$ H (4.1 A) | SMD     | TDK          | —       |
| L2     | Inductor          | MPLC0730L3R3    | 3.3 $\mu$ H (5.7 A) | SMD     | NEC<br>TOKIN | —       |
| L3     | Inductor          | RLF7030-1R5N6R1 | 1.5 $\mu$ H (6.1 A) | SMD     | TDK          | —       |
| L4     | Inductor          | RLF7030-1R5N6R1 | 1.5 $\mu$ H (6.1 A) | SMD     | TDK          | —       |
| L5     | Inductor          | RLF7030-1R5N6R1 | 1.5 $\mu$ H (6.1 A) | SMD     | TDK          | —       |
| L6     | Inductor          | RLF7030-1R5N6R1 | 1.5 $\mu$ H (6.1 A) | SMD     | TDK          | —       |
| PIN    | Wiring Terminal   | WT-2-1          | —                   | —       | Mac-Eight    | —       |

FML : FUJITSU MICROELECTRONICS LIMITED  
 SANYO : SANYO Electric Co.,Ltd.  
 FAIRCHILD : Fairchild Semiconductor Japan Ltd.  
 SSM : SUSUMU Co., Ltd  
 TDK : TDK Corporation  
 MURATA : Murata Manufacturing Co., Ltd.  
 NEC TOKIN : NEC TOKIN Corporation  
 Mac-Eight : Mac-Eight Co.,Ltd.

## ■ PRINTED CIRCUIT BOARD LAYOUT

Design of the PCB layout is important to make the suitable operation, suppressing noise or high efficiency ratio. Refer to the evaluation board layout of MB39C308EVB-01 and consider the following guideline when designing the layout of a circuit board.

### 1. Common items for each channel and peripheral components

- Ground and design for radiation of heat

At least, place the GND layer (PGND) in one of PCB internal layers. Place the through holes next to the GND pin of IC and each component, and connect them to the GND layer with low impedance.

Place the AGND which is separated from the GND layer with flowing large current if possible. Connect the bypass-capacitors of VREF and AVDD and the AGND pin of IC to the AGND. Connect AGND pin of IC to the GND layer by one point connection as close as possible so as not to flow a large current to the AGND. Connect GND pins of VB bypass-capacitor and the switching components to the GND layer directly.

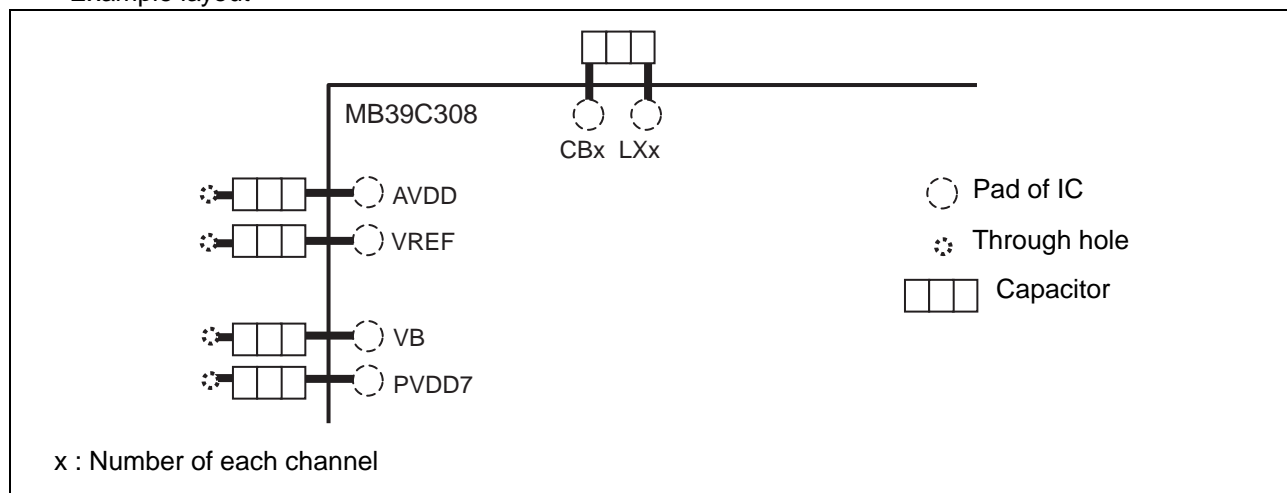
Connect each thermal pin to the GND layer via the through hole so that the heat can be dissipated efficiency. It is an ideal to place a through hole on a pad in the footprint of each thermal pin. Furthermore, it is also effective to place the GND plane on the back side of the substrate of the trace mounted on IC.

- Bypass capacitors and boot strap capacitors

Place the bypass-capacitors connected to the VREF, AVDD, VB, PVDD7 pins next to each pin of IC. Furthermore, connect the bypass-capacitors with the shortest path on surface layer to each pin. Place GND pins of bypass-capacitors connected to VB and PVDD7 pins to the PGND7 pin with the shortest path.

Place the bootstrap capacitors for each channel next to CBx and LXx pins.

- Example layout

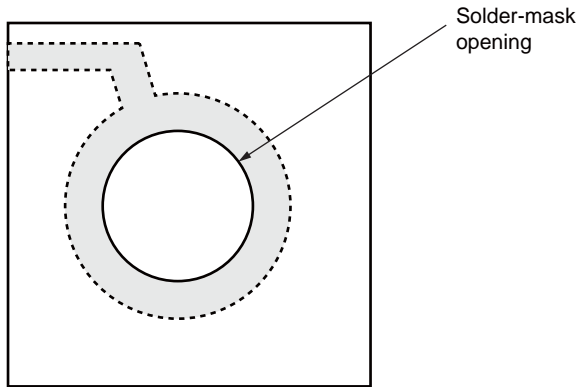


- Feedback line

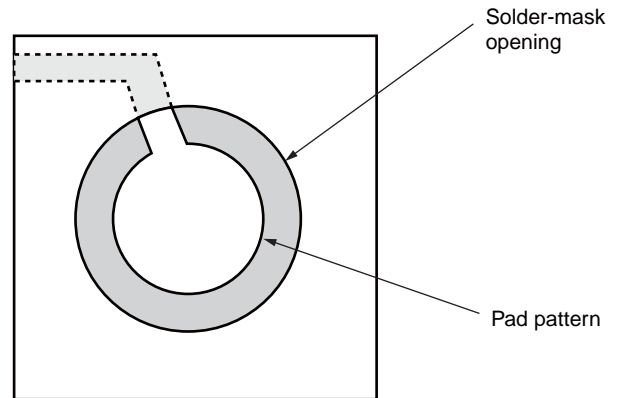
Place the feed back lines to FB pins for each channel away from switching components and lines, because the feed back line is sensitive to noise.

- Printed circuit board design rule for PFBGA

## ■ SMD



## ■ NSMD



|              | SMD (solder-mask defined)   |                             | NSMD (non-solder mask defined) |                             |
|--------------|-----------------------------|-----------------------------|--------------------------------|-----------------------------|
|              | Pad pattern                 | Solder-mask opening         | Pad pattern                    | Solder-mask opening         |
| 0.5 mm pitch | $\phi 0.325$ to $\phi 0.35$ | $\phi 0.225$ to $\phi 0.25$ | $\phi 0.225$ to $\phi 0.25$    | $\phi 0.325$ to $\phi 0.35$ |

## 2. External switching FET channel (CH1, CH2)

For the loop consisting of the input capacitor ( $C_{IN}$ ), high-side FET and low-side FET of each channel, take the most care of making the current loop as tight as possible.

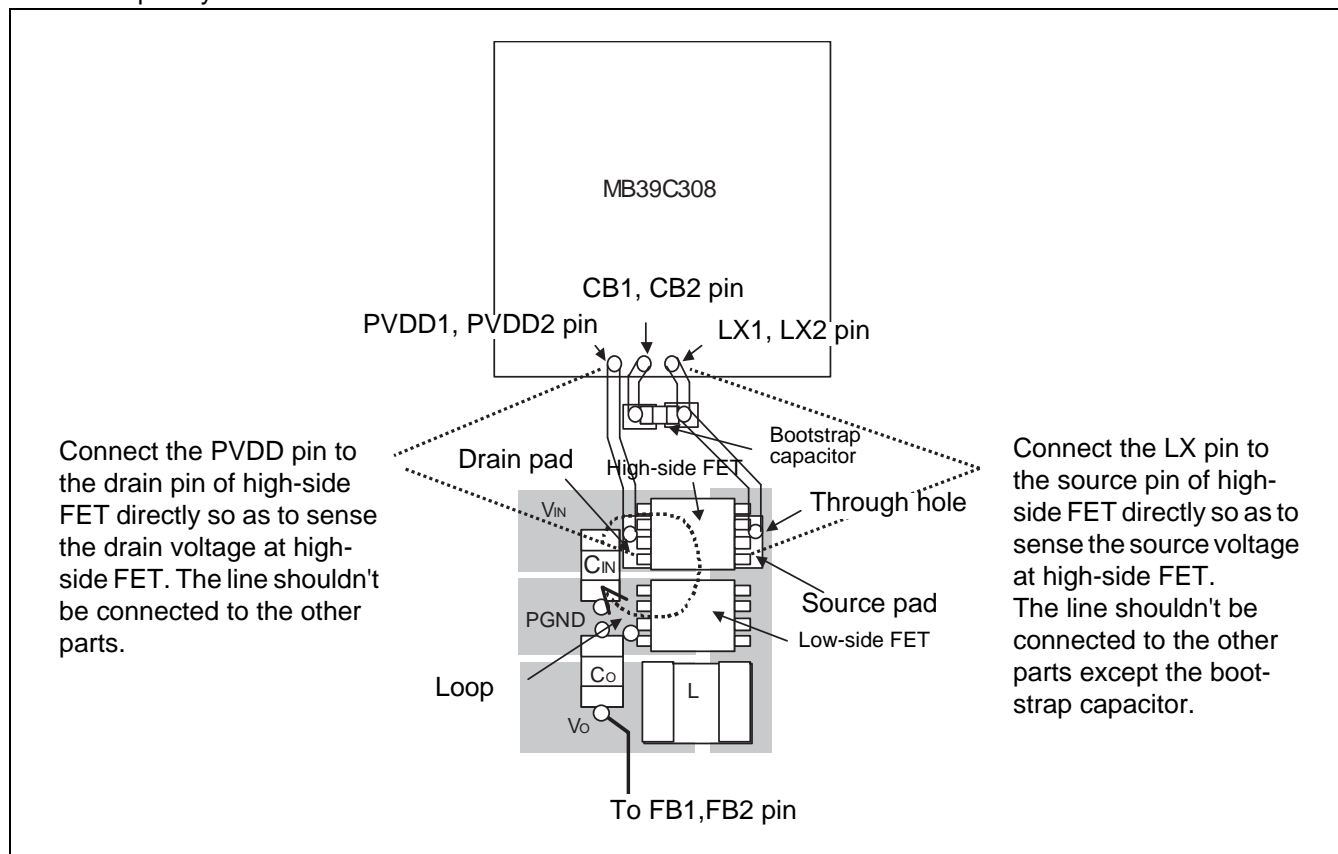
The input capacitor ( $C_{IN}$ ), high-side FET and low-side FET, inductor ( $L$ ) and output capacitor ( $C_o$ ) should be connected to the surface layer as much as possible using short and thick connections. In addition, avoid making connections to these components via the through hole.

Large transient current flows through the connections between the FET gate and OUT1H,OUT1L,OUT2H and OUT2L pins. Make this lines as short and thick as possible (ex. 0.5 mm width).

PVDD1, PVDD2, LX1, LX2 pins sense the voltage between drain and source at high-side FET. Connect the PVDD1 or PVDD2 pin to the drain pin of high-side FET directly. Avoid connecting to the other part on the line. Connect the LX1 or LX2 pin to the source pin of high-side FET directly. Connect the bootstrap capacitor as in the following graph and avoid connecting to the other part on the line. Furthermore, large transient current also flows through the connection to the LX pin. Make the line as short and thick as possible (exp: PVDD1, PVDD2, LX1, LX2 lines are 0.5 mm width).

When not connecting the PVDD and the LX pins to the drain or the source pin of the high-side FET as the layout below, an error may occur in PWM/PFM switch current value and the OCP setting value because of the error occurred in the current sense value.

- Example layout

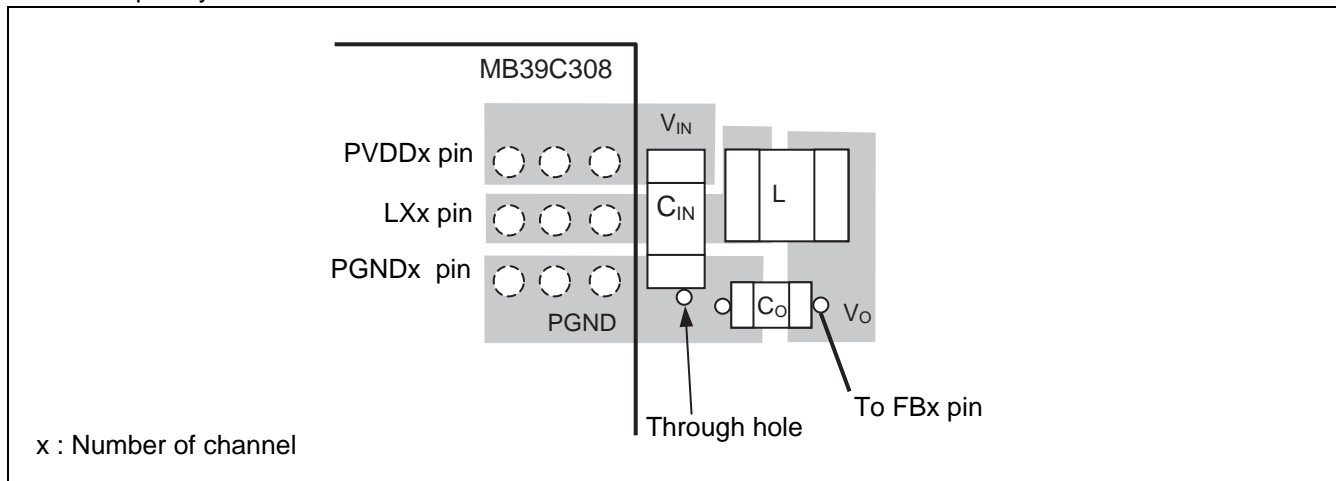


### 3. Internal switching FET channel (CH3 to CH6)

Place the input capacitor ( $C_{IN}$ ) for each channel next to PVDDx and PGNDx pins as in the following graph.

The PVDDx, LXx, PGNDx pins, input capacitor ( $C_{IN}$ ), inductor (L) and output capacitor ( $C_o$ ) should be connected to the surface layer as much as possible using short and thick connections. Avoid connecting these components via the through hole.

- Example layout



## ■ USAGE PRECAUTION

### 1. Do not configure the IC over the maximum ratings

If the IC is used over the maximum ratings, the LSI may be permanently damaged.

It is preferable for the device to normally operate within the recommended usage conditions. Usage outside of these conditions can have a bad effect on the reliability of the LSI.

### 2. Use the devices within recommended operating conditions

The recommended operating conditions are under which the LSI is guaranteed to operate.

The electrical ratings are guaranteed when the device is used within the recommended operating conditions and under the conditions stated for each item.

### 3. Printed circuit board ground lines should be set up with consideration for common impedance

### 4. Take appropriate measures against static electricity

- Containers for semiconductor materials should have anti-static protection or be made of conductive material.
- After mounting, printed circuit boards should be stored and shipped in conductive bags or containers.
- Work platforms, tools, and instruments should be properly grounded.
- Working personnel should be grounded with resistance of 250 k $\Omega$  to 1 M $\Omega$  between body and ground.

### 5. Do not apply negative voltages

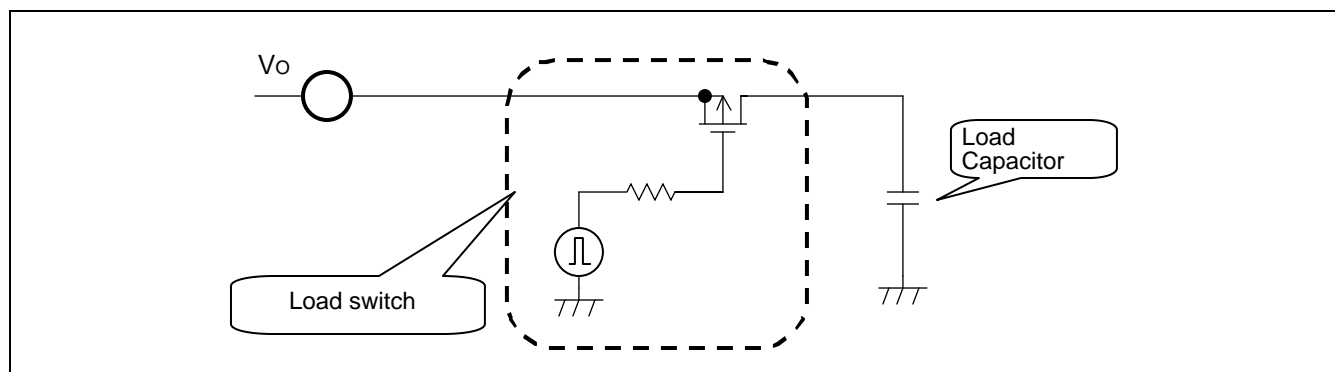
The use of negative voltages below  $-0.3$  V may create parasitic transistors on LSI lines, which can cause malfunctions.

### 6. Warnings when connecting the load

During DC/DC operation, if the output is connected by hard switching to a capacitance that greatly exceeds the DC/DC output capacitance, the output voltage may oscillate and the protection function may be detected due to the instant voltage drop. Take note of the following points.

- Connecting to the load capacitor

A P-ch FET is normally used as a load switch, and a gate resistor is inserted as shown below for the switch to turn on gradually and to prevent rush current.



## 7. Partial short circuits

Normally, in the event of a short circuit, such as the DC/DC output connecting to ground or low potential point, output is stopped by the short circuit protection (SCP) function. Take care in the event of a partial short circuit, because the output is not stopped by the short circuit protection (SCP) function. It is recommended that a fuse be inserted into the input. If the short circuit conditions partially occur in several channels which contain the FET, there is a possibility of smoke or fire.

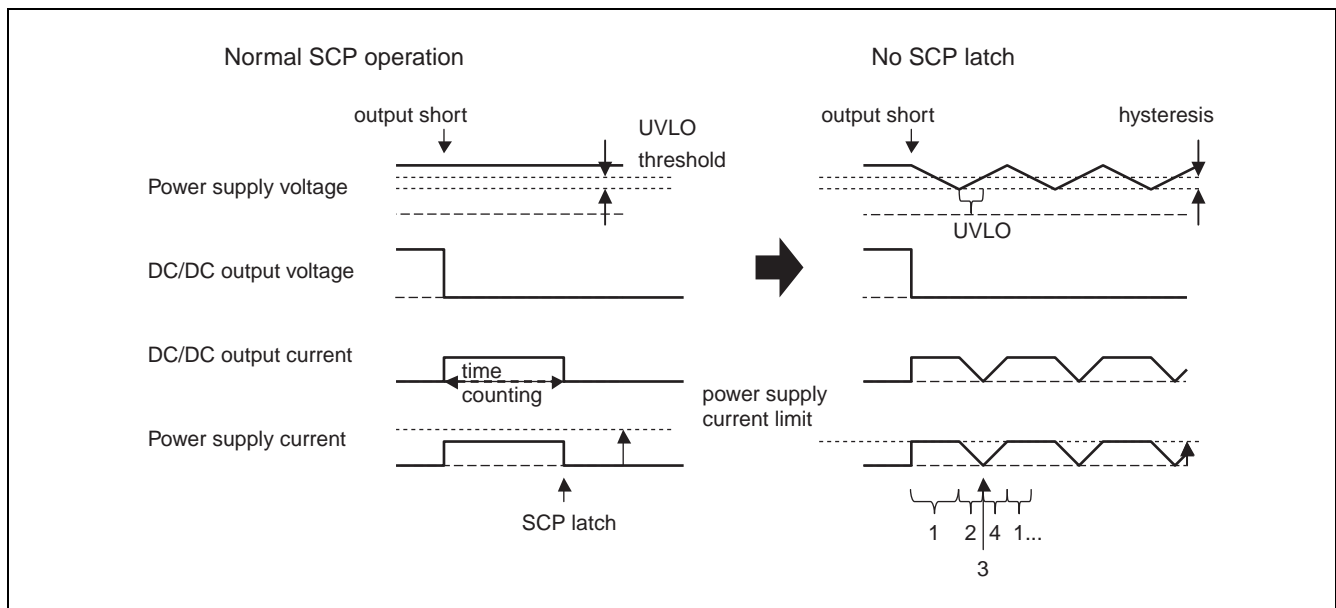
[Partial short circuit : Refers to a short circuit condition where overcurrent flows but is not strong enough to decrease the output voltage.]

## 8. Affects of insufficient power supply capacity on the SCP latch function

If the large current exceeding the current limit of input power supply flows through this device such as the case of output short, power supply voltage may drop. On such occasion, if the power supply voltage drops below 5 V (Typ) before it detects SCP, DC/DC output is shutdown by the UVLO (Under Voltage Lock Out) function. After the DC/DC output is shutdown, the input power supply recovers and SCP timer is reset, then the DC/DC converter starts operating again. As the results, the DC/DC output does not stop at SCP latch function, and the following four processes are repeated in the following order. In addition, it should be noted that under the above conditions, some components of the DC/DC converter may be destroyed.

1. Power supply voltage drops as power supply current reaches its limit.
2. DC/DC output is shutdown by UVLO.
3. UVLO is released.
4. Output current and power supply current increase.

It is recommended that a fuse be inserted into the power line. If output wires are short-circuited in the multiple channels which contain the FET, there is a possibility of smoke or fire.



## ■ ORDERING INFORMATION

| Part number | Package                                  | Remarks |
|-------------|--|---------|
| MB39C308BGF | 208-ball plastic PFBGA<br>(BGA-208P-M02) |         |

## ■ EV BOARD ORDERING INFORMATION

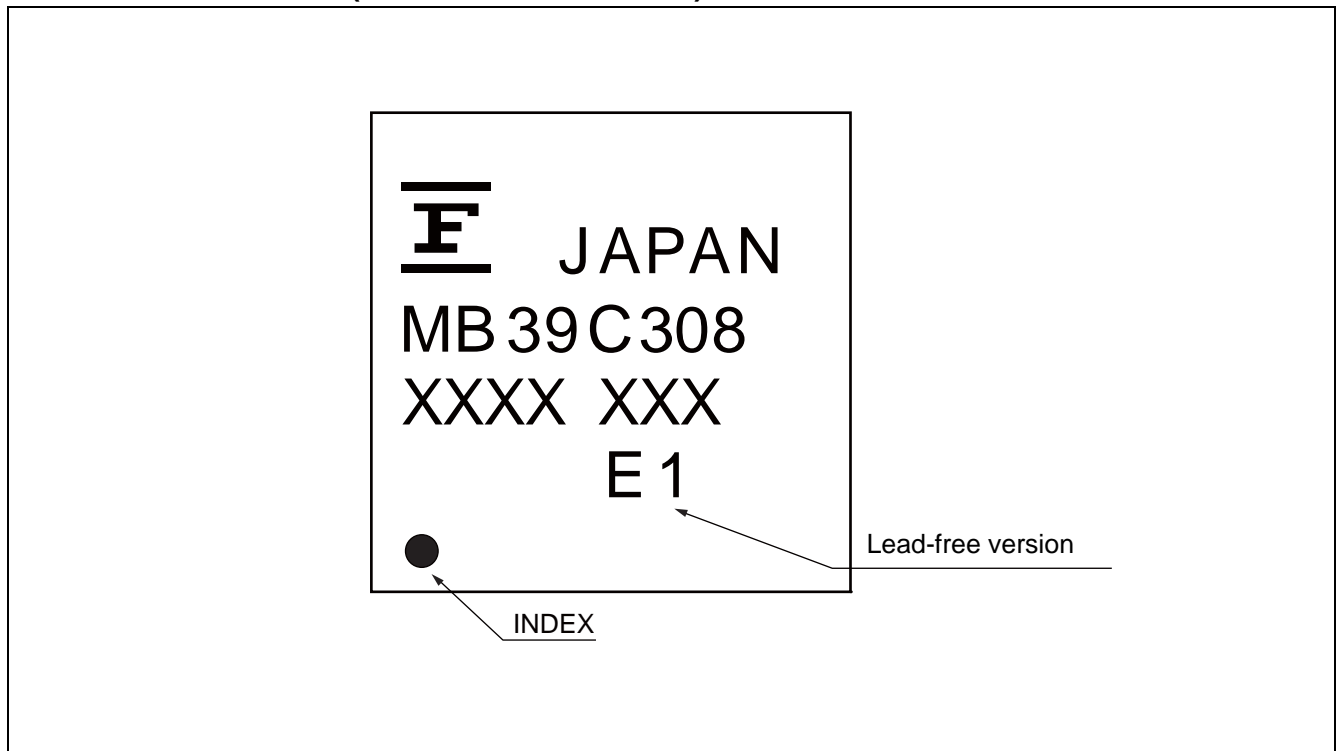
| EV board part No. | EV board version No. | Remarks   |
|-------------------|----------------------|-----------|
| MB39C308EVB-11    | Board rev.1.0        | PFBGA-208 |

## ■ RoHS COMPLIANCE INFORMATION OF LEAD (Pb) FREE VERSION

The LSI products of Fujitsu Microelectronics with “E1” are compliant with RoHS Directive , and has observed the standard of lead, cadmium, mercury, hexavalent chromium, polybrominated biphenyls (PBB) , and polybrominated diphenyl ethers (PBDE) .

A product whose part number has trailing characters “E1” is RoHS compliant.

## ■ MARKING FORMAT (LEAD FREE VERSION)



## ■ LABELING SAMPLE (LEAD FREE VERSION)

Lead-free mark

JEITA logo      JEDEC logo

MB123456P - 789 - GE1  
(3N) 1MB123456P-789-GE1 1000  
[Barcode]  
(3N)2 1561190005 107210  
[Barcode]      QC PASS  
1,000      PCS  
MB123456P - 789 - GE1  
[Barcode]  
2006/03/01      ASSEMBLED IN JAPAN  
-----  
MB123456P - 789 - GE1  
[Barcode]      1/1      0605 - Z01A      1000  
1561190005

The part number of a lead-free product has the trailing characters "E1".

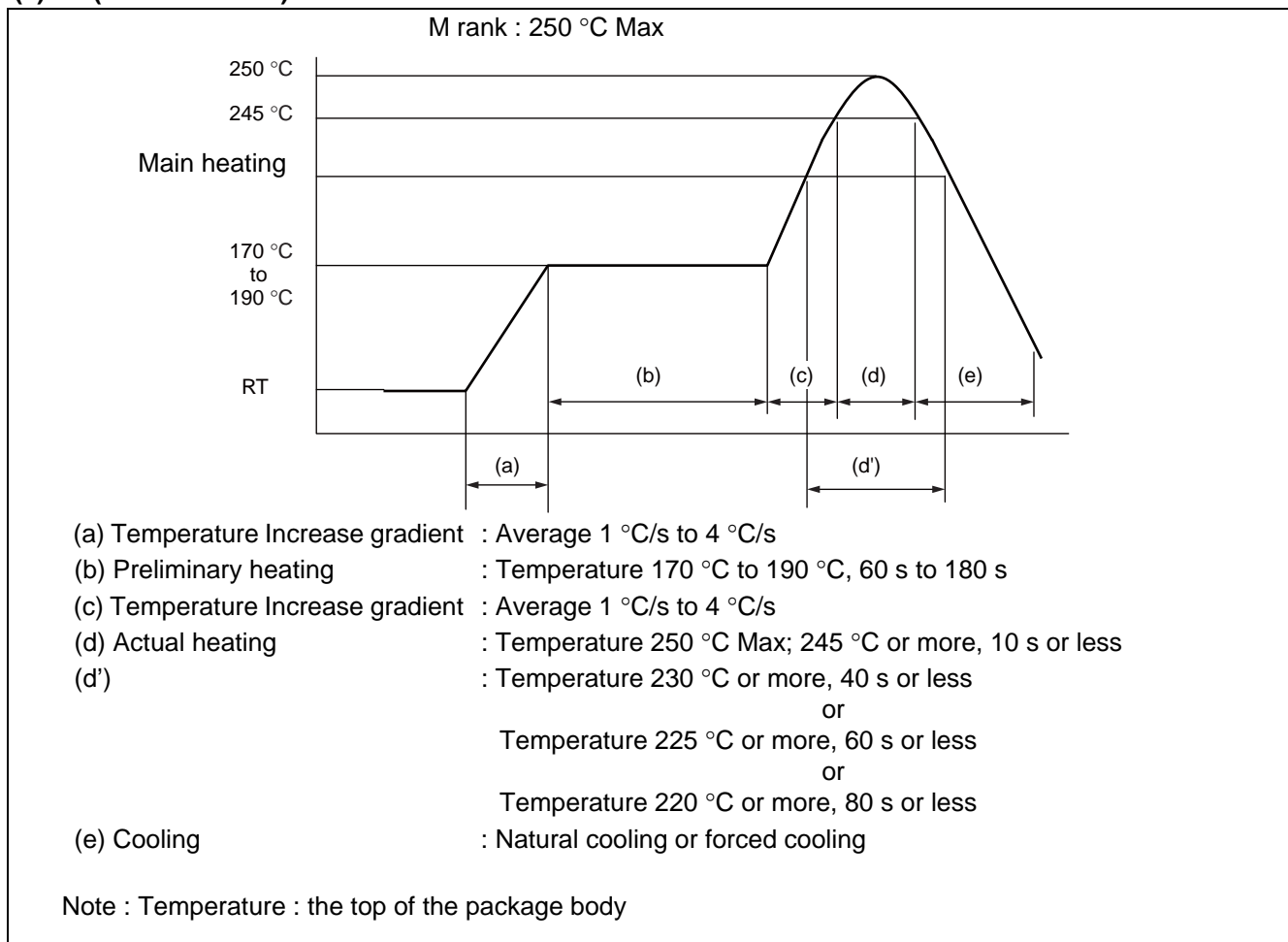
## ■ MB39C308BGF RECOMMENDED CONDITIONS OF MOISTURE SENSITIVITY LEVEL

[Fujitsu Microelectronics Recommended Mounting Conditions]

| Item               | Condition  |   |
|--------------------|--|---|
| Mounting Method    | IR (infrared reflow) , Manual soldering (partial heating method) |   |
| Mounting times     | 2 times  |   |
| Storage period     | Before opening   | Please use it within two years after Manufacture.         |
|                    | From opening to the 2nd reflow                                   | Less than 6 days  |
|                    | When the storage period after opening was exceeded               | Please processes within 6 days after baking (125 °C, 24H) |
| Storage conditions | 5 °C to 30 °C, 70%RH or less (the lowest possible humidity)      |   |

### [Temperature Profile for FJ Standard IR Reflow]

#### (1) IR (infrared reflow)



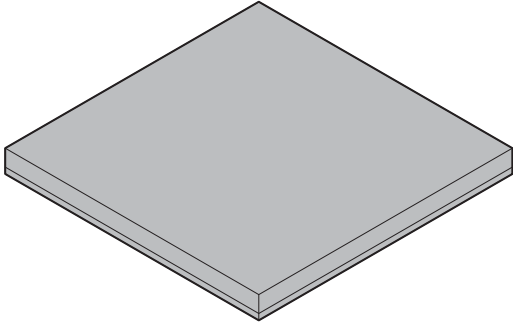
#### (2) Manual soldering (partial heating method)

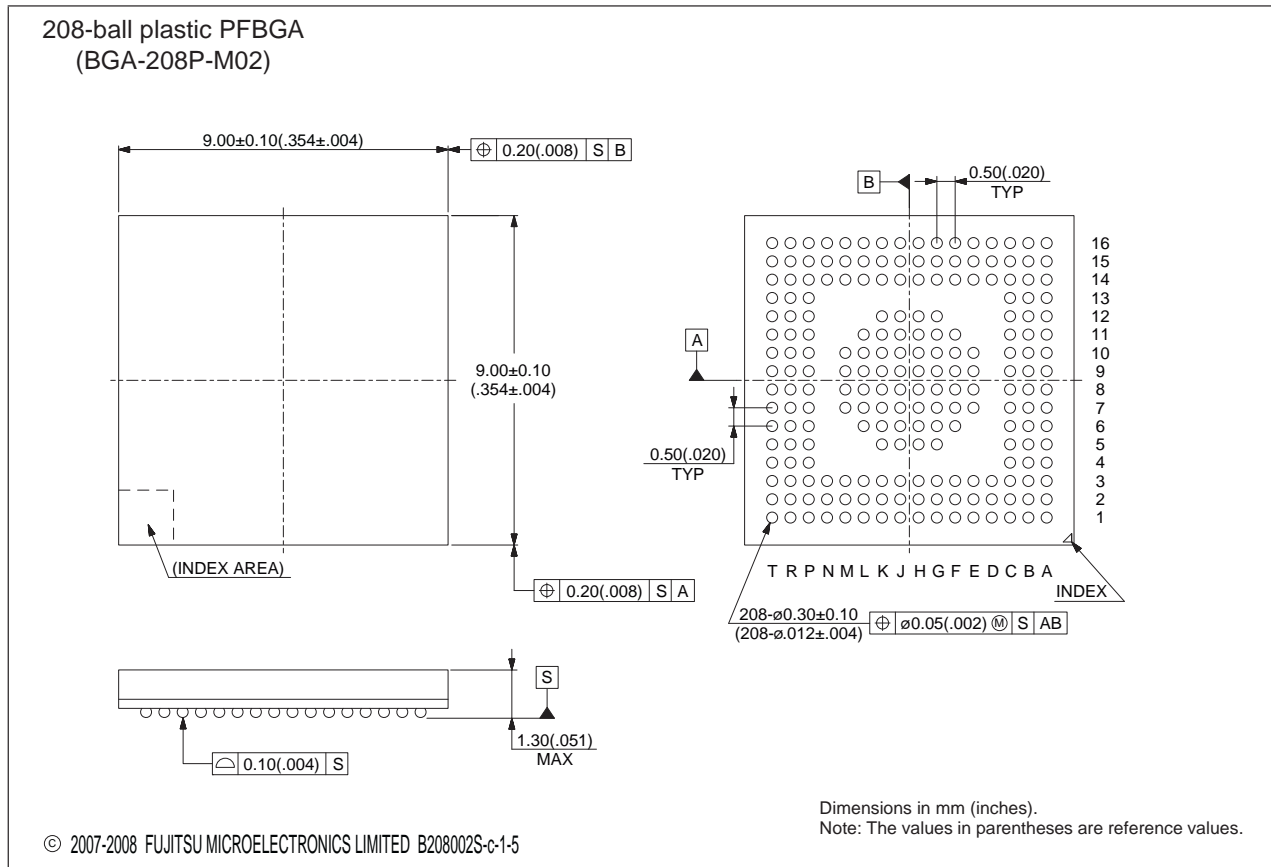
Conditions : Temperature 400 °C Max

Times : 5 s max/pin

# MB39C308

## ■ PACKAGE DIMENSION

|   |                                |                   |
|---|--------------------------------|-------------------|
| <p style="text-align: center;">208-ball plastic PFBGA</p>  <p style="text-align: center;">(BGA-208P-M02)</p> | Ball pitch                     | 0.50 mm           |
|   | Package width × package length | 9.00 mm × 9.00 mm |
|   | Lead shape                     | Ball              |
|   | Sealing method                 | Plastic mold      |
|   | Mounting height                | 1.30 mm Max.      |
|   | Weight                         | 0.10 g            |
|   |                                |                   |



Please check the latest Package dimension at the following URL.  
<http://edevic.fujitsu.com/package/en-search/>

## ■ CONTENTS

|  | page |
|--|------|
| - DESCRIPTION .....  | 1    |
| - FEATURES .....   | 1    |
| - APPLICATIONS .....   | 2    |
| - PIN ASSIGNMENT .....   | 3    |
| - PIN DESCRIPTIONS .....   | 4    |
| - BLOCK DIAGRAM .....  | 7    |
| - ABSOLUTE MAXIMUM RATINGS .....   | 9    |
| - RECOMMENDED OPERATING CONDITIONS .....                                 | 10   |
| - ELECTRICAL CHARACTERISTICS .....                                       | 12   |
| - CHANNEL CONTROL FUNCTION .....   | 19   |
| - POWER GOOD FUNCTION .....  | 19   |
| - PROTECTION .....   | 20   |
| - DESCRIPTION OF SOFT-START AND SOFT-STOP OPERATION .....                | 21   |
| - PRESET FUNCTION OF CH3/CH4/CH6 OUTPUT VOLTAGE .....                    | 23   |
| - TYPICAL CHARACTERISTICS .....  | 24   |
| - NOTES FOR UNCONNECTED PINS .....                                       | 26   |
| - APPLICATION NOTE .....   | 30   |
| - REFERENCE DATA .....   | 37   |
| - TYPICAL APPLICATION CIRCUIT .....                                      | 45   |
| - PARTS LIST .....   | 47   |
| - PRINTED CIRCUIT BOARD LAYOUT .....                                     | 49   |
| - USAGE PRECAUTION .....   | 53   |
| - ORDERING INFORMATION .....   | 55   |
| - EV BOARD ORDERING INFORMATION .....                                    | 55   |
| - RoHS COMPLIANCE INFORMATION OF LEAD (Pb) FREE VERSION .....            | 55   |
| - MARKING FORMAT (LEAD FREE VERSION) .....                               | 55   |
| - LABELING SAMPLE (LEAD FREE VERSION) .....                              | 56   |
| - MB39C308BGF RECOMMENDED CONDITIONS OF MOISTURE SENSITIVITY LEVEL ..... | 57   |
| - PACKAGE DIMENSION .....  | 58   |

## FUJITSU MICROELECTRONICS LIMITED

Shinjuku Dai-Ichi Seimei Bldg., 7-1, Nishishinjuku 2-chome,  
Shinjuku-ku, Tokyo 163-0722, Japan  
Tel: +81-3-5322-3329  
<http://jp.fujitsu.com/fml/en/>

*For further information please contact:*

### North and South America

FUJITSU MICROELECTRONICS AMERICA, INC.  
1250 E. Arques Avenue, M/S 333  
Sunnyvale, CA 94085-5401, U.S.A.  
Tel: +1-408-737-5600 Fax: +1-408-737-5999  
<http://www.fma.fujitsu.com/>

### Asia Pacific

FUJITSU MICROELECTRONICS ASIA PTE. LTD.  
151 Lorong Chuan,  
#05-08 New Tech Park 556741 Singapore  
Tel : +65-6281-0770 Fax : +65-6281-0220  
<http://www.fmal.fujitsu.com/>

### Europe

FUJITSU MICROELECTRONICS EUROPE GmbH  
Pittlerstrasse 47, 63225 Langen, Germany  
Tel: +49-6103-690-0 Fax: +49-6103-690-122  
<http://emea.fujitsu.com/microelectronics/>

### FUJITSU MICROELECTRONICS SHANGHAI CO., LTD.

Rm. 3102, Bund Center, No.222 Yan An Road (E),  
Shanghai 200002, China  
Tel : +86-21-6146-3688 Fax : +86-21-6335-1605  
<http://cn.fujitsu.com/fmc/>

### Korea

FUJITSU MICROELECTRONICS KOREA LTD.  
206 Kosmo Tower Building, 1002 Daechi-Dong,  
Gangnam-Gu, Seoul 135-280, Republic of Korea  
Tel: +82-2-3484-7100 Fax: +82-2-3484-7111  
<http://kr.fujitsu.com/fmk/>

### FUJITSU MICROELECTRONICS PACIFIC ASIA LTD.

10/F., World Commerce Centre, 11 Canton Road,  
Tsimshatsui, Kowloon, Hong Kong  
Tel : +852-2377-0226 Fax : +852-2376-3269  
<http://cn.fujitsu.com/fmc/en/>

Specifications are subject to change without notice. For further information please contact each office.

### All Rights Reserved.

The contents of this document are subject to change without notice.

Customers are advised to consult with sales representatives before ordering.

The information, such as descriptions of function and application circuit examples, in this document are presented solely for the purpose of reference to show examples of operations and uses of FUJITSU MICROELECTRONICS device; FUJITSU MICROELECTRONICS does not warrant proper operation of the device with respect to use based on such information. When you develop equipment incorporating the device based on such information, you must assume any responsibility arising out of such use of the information.

FUJITSU MICROELECTRONICS assumes no liability for any damages whatsoever arising out of the use of the information.

Any information in this document, including descriptions of function and schematic diagrams, shall not be construed as license of the use or exercise of any intellectual property right, such as patent right or copyright, or any other right of FUJITSU MICROELECTRONICS or any third party or does FUJITSU MICROELECTRONICS warrant non-infringement of any third-party's intellectual property right or other right by using such information. FUJITSU MICROELECTRONICS assumes no liability for any infringement of the intellectual property rights or other rights of third parties which would result from the use of information contained herein.

The products described in this document are designed, developed and manufactured as contemplated for general use, including without limitation, ordinary industrial use, general office use, personal use, and household use, but are not designed, developed and manufactured as contemplated (1) for use accompanying fatal risks or dangers that, unless extremely high safety is secured, could have a serious effect to the public, and could lead directly to death, personal injury, severe physical damage or other loss (i.e., nuclear reaction control in nuclear facility, aircraft flight control, air traffic control, mass transport control, medical life support system, missile launch control in weapon system), or (2) for use requiring extremely high reliability (i.e., submersible repeater and artificial satellite).

Please note that FUJITSU MICROELECTRONICS will not be liable against you and/or any third party for any claims or damages arising in connection with above-mentioned uses of the products.

Any semiconductor devices have an inherent chance of failure. You must protect against injury, damage or loss from such failures by incorporating safety design measures into your facility and equipment such as redundancy, fire protection, and prevention of over-current levels and other abnormal operating conditions.

Exportation/release of any products described in this document may require necessary procedures in accordance with the regulations of the Foreign Exchange and Foreign Trade Control Law of Japan and/or US export control laws.

The company names and brand names herein are the trademarks or registered trademarks of their respective owners.