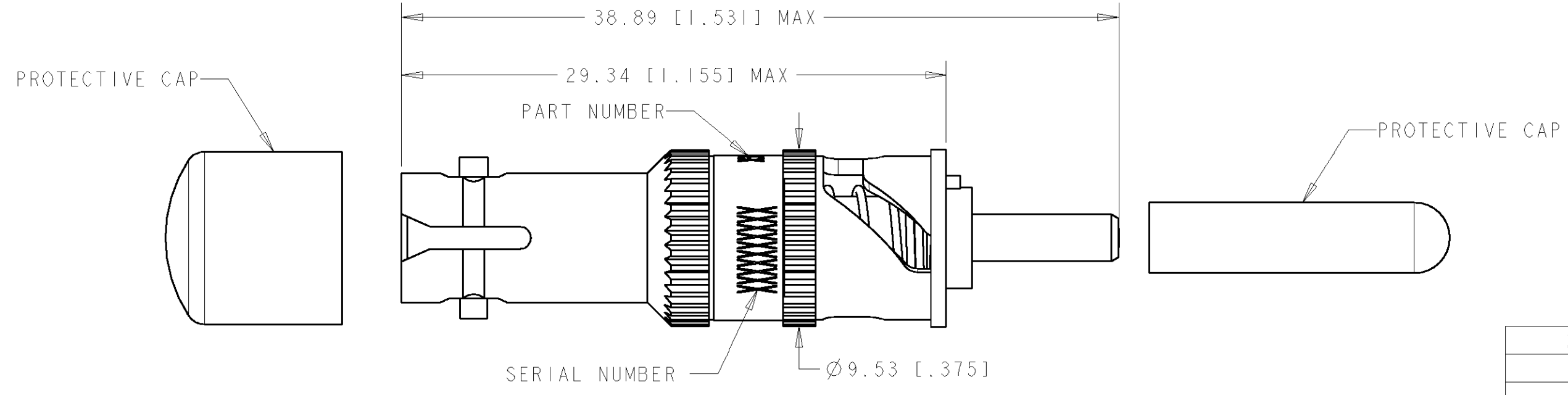


THIS DRAWING IS UNPUBLISHED. RELEASED FOR PUBLICATION 20
 © COPYRIGHT 20 BY TYCO ELECTRONICS CORPORATION. ALL RIGHTS RESERVED.

LOC	DIST	REVISIONS			
P	LTR	DESCRIPTION	DATE	DWN	APVD
CE	16	REV PER EC 0A00-0228-02	22MAR2002	JAB	CB



20	2-209613-0
15	1-209613-5
14	1-209613-4
13	1-209613-3
12	1-209613-2
11	1-209613-1
10	1-209613-0
9	209613-9
8	209613-8
7	209613-7
6	209613-6
5	209613-5
4	209613-4
3	209613-3
2	209613-2
1	209613-1
NOMINAL ATTENUATION VALUE (dB)	PART NUMBER

PERFORMANCE REQUIREMENTS:
 OPERATING WAVELENGTH : 1310/1550 ±25nm
 OPERATING TEMPERATURE : -40°C TO +75°C
 REFLECTANCE : ≤ -45dB
 ATTENUATION TOLERANCE, AMBIENT:
 FOR ATTENUATORS ≥ 5dB: ± 15% OF NOMINAL ATTENUATION VALUE
 FOR ATTENUATORS < 5dB: ±0.75dB
 MEASURED WITH REFERENCE QUALITY LAUNCH LEADS

<small>THIS DRAWING IS A CONTROLLED DOCUMENT FOR TYCO ELECTRONICS CORPORATION IT IS SUBJECT TO CHANGE AND THE CONTROLLING ENGINEERING ORGANIZATION SHOULD BE CONTACTED FOR THE LATEST REVISION.</small>		DWN J.A. Baker 22MAR2002 CHK C. BENNETT 22MAR2002 APVD B. EDWARDS 22MAR2002	tyco Electronics Tyco Electronics Harrisburg, PA 17105-3608
DIMENSIONS: mm (inches)	TOLERANCES UNLESS OTHERWISE SPECIFIED: 0 PLC ±- 1 PLC ±1.0 2 PLC ±.38 3 PLC ±- 4 PLC ±- ANGLES ±2	PRODUCT SPEC - APPLICATION SPEC - WEIGHT -	NAME ATTENUATOR, OPTICAL, BUILDOUT, ST/PC, SM DUAL WINDOW SIZE A3 CAGE CODE 00779 DRAWING NO C-209613 RESTRICTED TO -
MATERIAL -	FINISH -	CUSTOMER DRAWING	SCALE 4:1 SHEET 1 OF 1 REV E