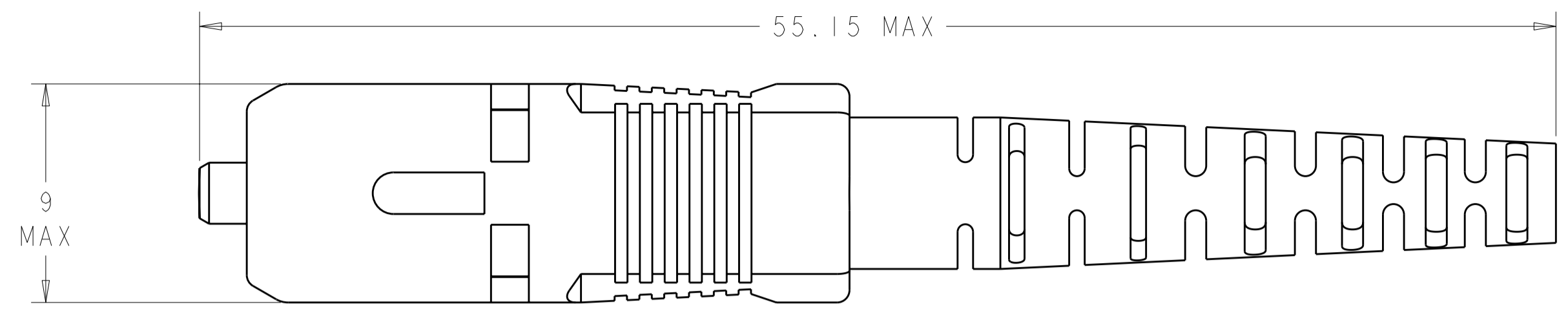


THIS DRAWING IS UNPUBLISHED. RELEASED FOR PUBLICATION 20  
 © COPYRIGHT 20 BY TYCO ELECTRONICS CORPORATION. ALL RIGHTS RESERVED.

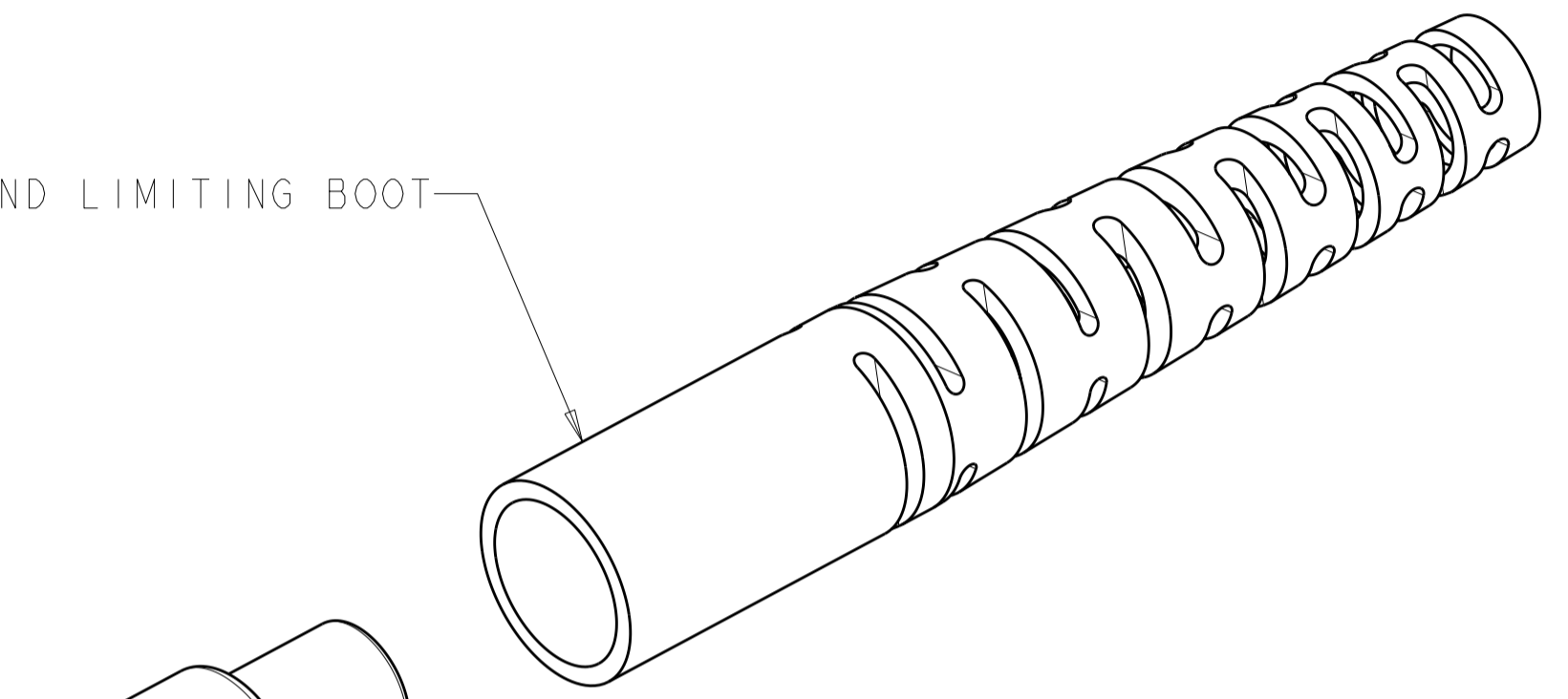
LOC	DIST	REVISIONS			
P	LTR	DESCRIPTION	DATE	DWN	APVD
CE	00				
	C	REVISE PER 0A00-0395-04	28JUL2004	BB	SB
	D	REVISE PER 0A00-0613-04	19NOV2004	BB	SM
	DI	REVISED PER ECO-09-025699	25JAN2010	KK	HMR



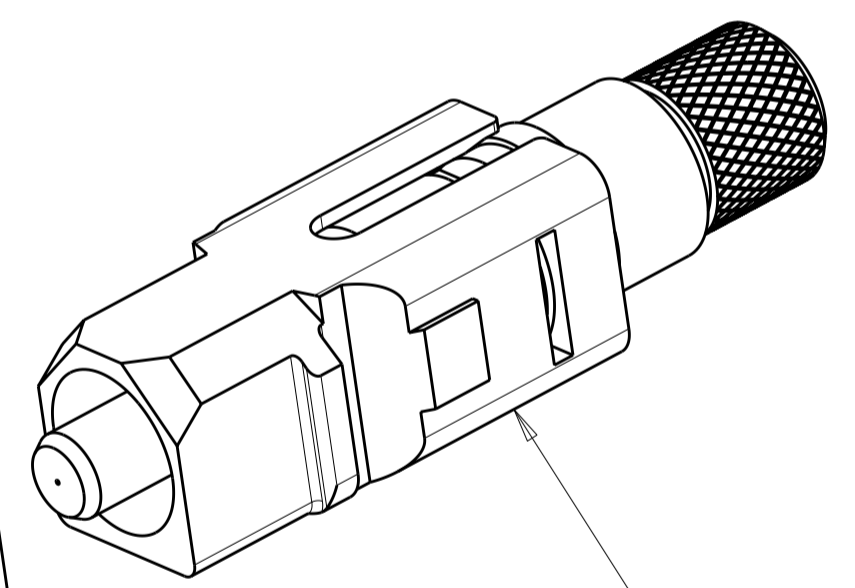
- 1 MATERIAL:  
 PROTECTIVE COVER: LDPE, COLOR: BLACK, NON-FR  
 CONNECTOR HOUSING: PBT-GF17, COLOR: BLUE.\*  
 CONNECTOR SUBASSEMBLY:  
 PLUG BODY: PES-GF20, COLOR: BEIGE.\*  
 FERRULE ASSEMBLY: CERAMIC / PBT-GF17, COLOR: BLUE\*  
 EPOXY-FILL TUBING: PTFE, COLOR: CLEAR, UL VW-1 RATED AT QUALIFYING THICKNESS.  
 SPRING: STAINLESS STEEL  
 RETAINER BODY: NICKEL PLATED BRASS  
 CRIMP EYELET: TIN PLATED COPPER  
 BEND LIMITING BOOT: PP, COLOR: BLUE.\*  
 \*UL94 V-0 RATED AT QUALIFYING THICKNESS

- 2 BULK PACKAGE.  
 3. TO BE USED WITH "LOOSE-JACKETED" CABLE.  
 4 CONTAINS NO CRIMP EYELETS OR BOOTS.  
 5 OBSOLETE PARTS: OBSOLETE CIS STREAMLINING PER D.RENAUD/D.SINISI

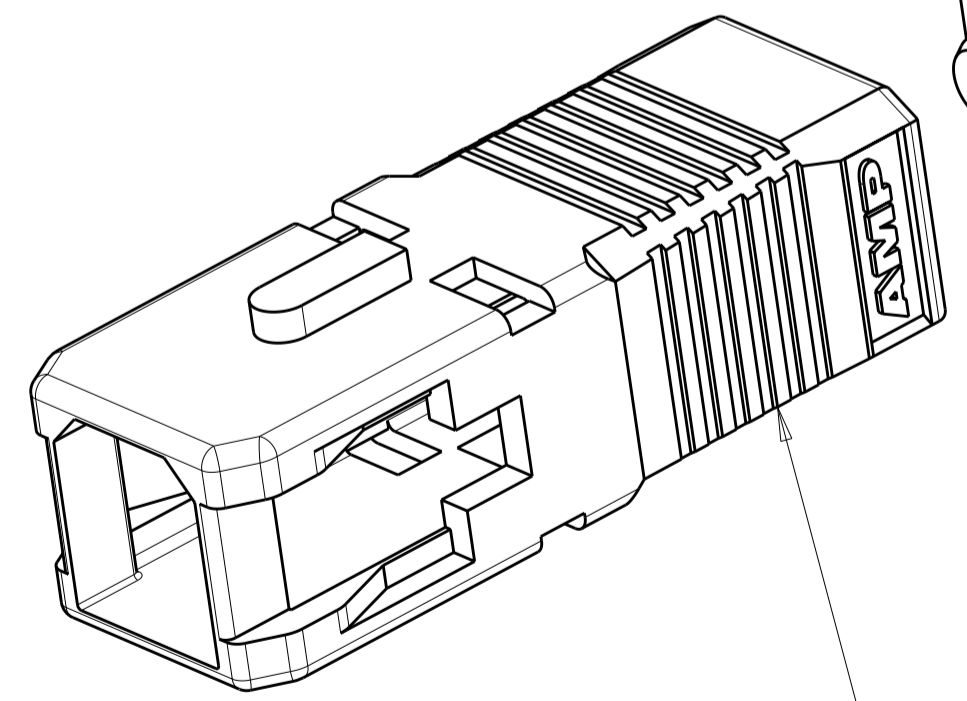
BEND LIMITING BOOT



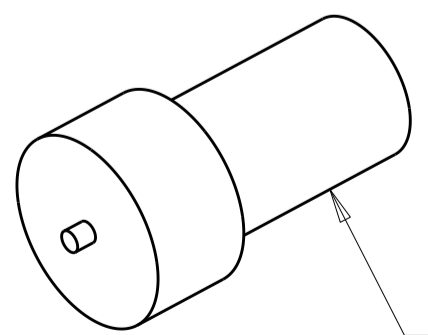
CRIMP EYELET



CONNECTOR SUBASSEMBLY



CONNECTOR HOUSING



PROTECTIVE COVER

4	2	OBSOLETE	1457215-5
5		OBSOLETE	1457215-4
	2		1457215-2
			PART NUMBER

THIS DRAWING IS A CONTROLLED DOCUMENT FOR TYCO ELECTRONICS CORPORATION. IT IS SUBJECT TO CHANGE AND THE CONTROLLING ENGINEERING ORGANIZATION SHOULD BE CONTACTED FOR THE LATEST REVISION.		DWN	B. BRIGGS	28JUL2004	Tyco Electronics Corporation Harrisburg, PA 17105-3608
		CHK	S. BUCHTER	28JUL2004	
		APVD	S. BUCHTER	28JUL2004	
		PRODUCT SPEC			
DIMENSIONS: mm [ INCHES ]		TOLERANCES UNLESS OTHERWISE SPECIFIED:		NAME	
0 PLC ±		1 PLC ±		CONNECTOR KIT, AMP SC,	
1 PLC ±		2 PLC ±		SINGLEMODE, 3.0mm,	
2 PLC ±		3 PLC ±		METAL RETAINER BODY	
3 PLC ±		4 PLC ±		SIZE	
4 PLC ±		ANGLES ±		CAGE CODE	
FINISH		WEIGHT		DRAWING NO	
MATERIAL		CUSTOMER DRAWING		A2 00779 C-1457215	
RESTRICTED TO		SCALE		SHEET	
		5:1		OF 1	
				REV DI	