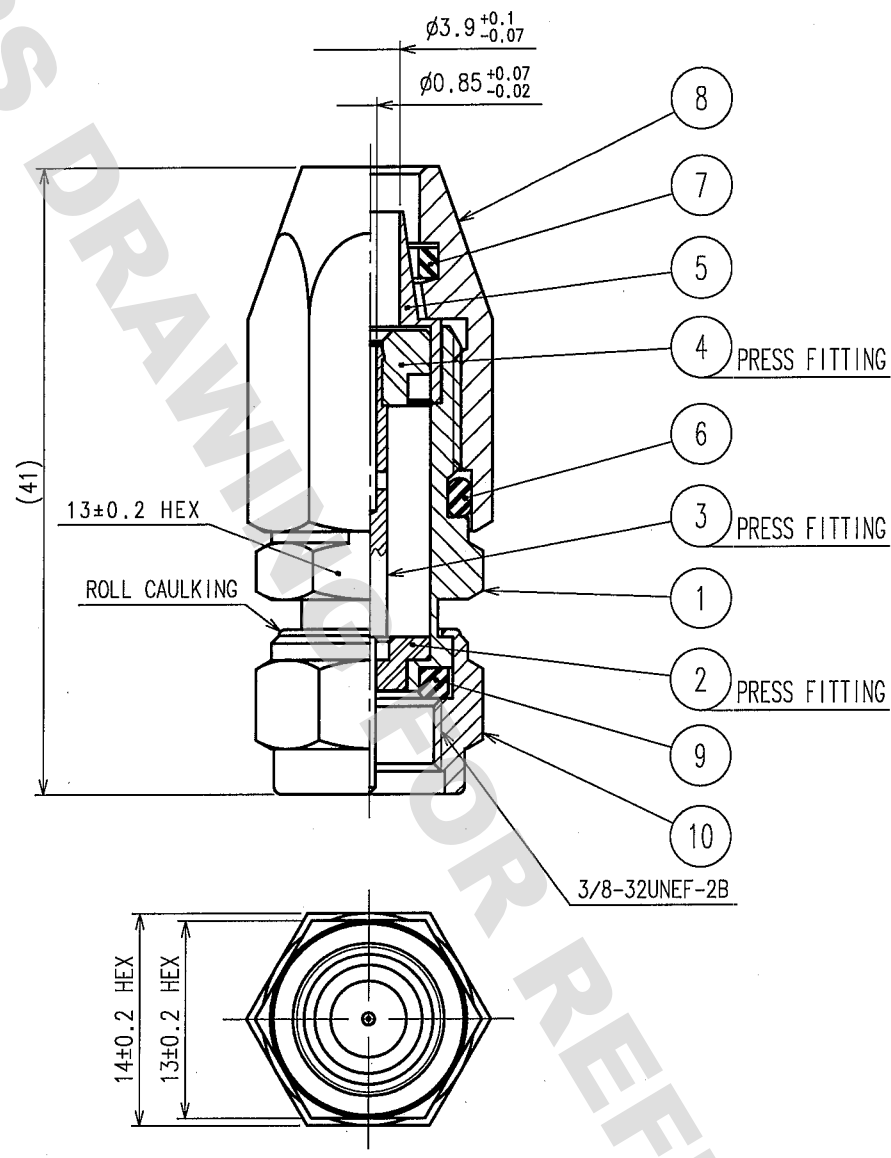


1			2			3			4					
COUNT	DESCRIPTION OF REVISIONS	BY	CHKD	DATE	COUNT	DESCRIPTION OF REVISIONS	BY	CHKD	DATE	COUNT	DESCRIPTION OF REVISIONS	BY	CHKD	DATE
△					△					△				
△					△					△				
△					△					△				



5	BRASS	NICKEL PLATING	10	BRASS	NICKEL PLATING
4	POLYETHYLENE		9	EPR	
3	BRASS	GOLD PLATING	8	BRASS	NICKEL PLATING
2	POLYETHYLENE		7	EPR	
1	BRASS	NICKEL PLATING	6	EPR	
NO.	MATERIAL	FINISH, REMARKS	NO.	MATERIAL	FINISH, REMARKS

CODE NO. (OLD) CL		DRAWN Y. Inagiyama	DESIGNED T. Katayama	CHECKED H. Shimizu	APPROVED J. Motani	RELEASED
RoHS COMPLIANT		06.02.03	06.02.06	06.02.07	06.02.07	
DRAWING NO. EDC4-010495-40			PART NO. NF-WP-TVEFCX(40)			
UNITS mm			CODE NO. CL329-0002-2-40			1/1

DRAWING FOR REFERENCE: This is subject to change without notice
08/11/2012

TO
RF