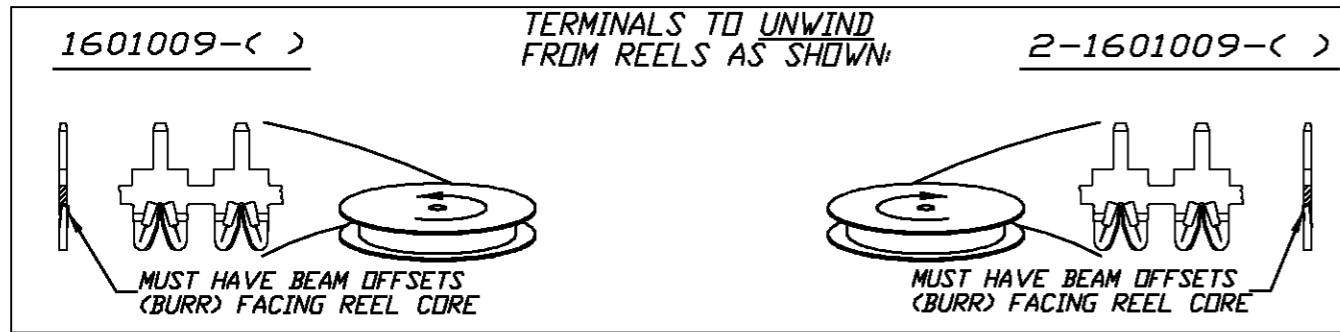
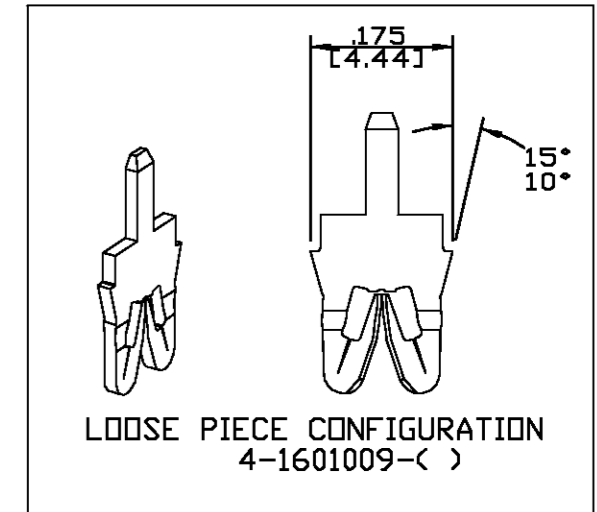
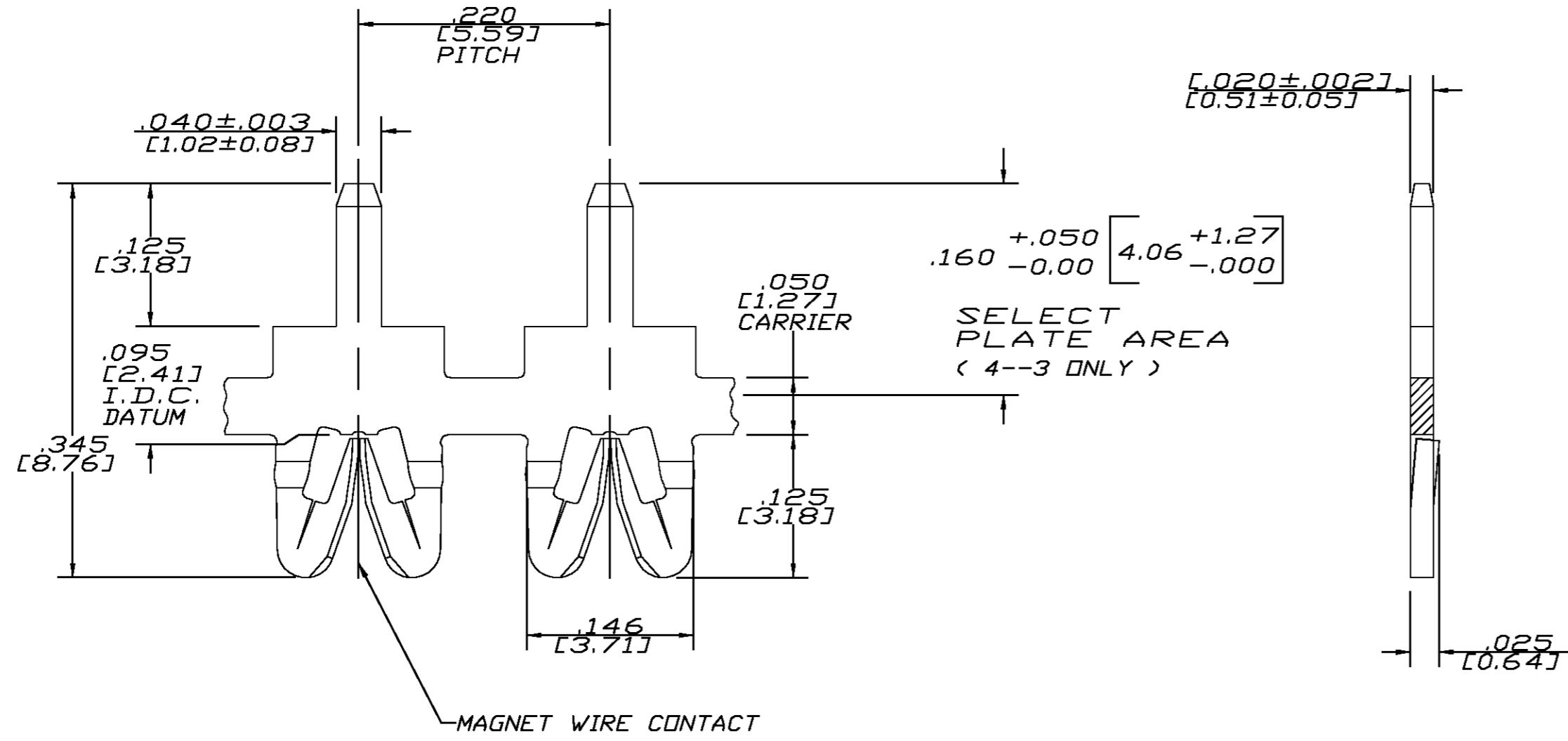


THIS DRAWING IS UNPUBLISHED. RELEASED FOR PUBLICATION  
 © COPYRIGHT BY TYCO ELECTRONICS CORPORATION. ALL RIGHTS RESERVED.

LOC	DIST	REVISIONS			
P	LTR	DESCRIPTION	DATE	DWN	APVD
AF	50	E	REV PER 0G3H-0147-04	25OCT04	JR GJ

- SPECIFICATIONS:**  
 MAGNET WIRE #18 - #34 AWG,  
 1.02 mm (.040")-0.16 mm (.006")  
 DIA. OTHER SIZES MAY BE  
 ACCOMMODATED, CONSULT  
 TYCO ELECTRONICS FOR APPROVAL.
- POCKET RECOMMENDATION:**  
 #1601424
- NOTES:**  
 A) TERMINALS SUPPLIED ON  
 REELS, CAN BE SUPPLIED LOOSE PIECE



FINISH	REFERENCE PART NUMBER	TYCO PART NUMBER
POST TIN PLATE OVER NICKEL	-	4-1601009-4
POST TIN PLATE OVER NICKEL	-	1601009-4
<del>SELECTIVE POST TIN LEAD PLATE OVER NICKEL</del>	<del>031-020-124</del>	<del>4-1601009-3</del>
<del>POST TIN LEAD PLATE OVER NICKEL</del>	<del>031-020-024</del>	<del>4-1601009-2</del>
<del>POST TIN LEAD PLATE OVER NICKEL</del>	<del>131-020-024</del>	<del>1601009-2</del>
Unplated	131-020-000	1601009-1
FINISH	REFERENCE PART NUMBER	TYCO PART NUMBER
THIS DRAWING IS A CONTROLLED DOCUMENT.		
DIMENSIONS: INCHES	TOLERANCES UNLESS OTHERWISE SPECIFIED:	0 PLC ± - 1 PLC ± - 2 PLC ± .01[0.25] 3 PLC ± .005[.13] 4 PLC ± - 2 ANGLES ± 2
MATERIAL: BRASS, SPRING HARD	FINISH: SEE TABLE	APVD: K.RANDOLPH
CUSTOMER DRAWING		SCALE: 1:3
SIZE: A2		RESTRICTED TO: -
CAGE CODE: 00779		REV: E
DRAWING NO: C=1601009		SHEET: 1 OF 1
NAME: Tyco Electronics Corporation, Harrisburg, PA 17105-3608		PRODUCT SPEC: 108-2085
STANDARD RANGE WIRE TO .020x.040x.125 P.C.B. SIAMEZE TERMINAL		APPLICATION SPEC: 408-8629