

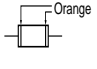
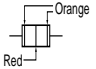
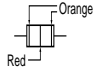
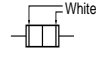
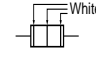


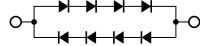

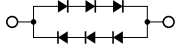
4-7 Silicon Varistors






●Symmetrical

| V _F (V) | I _F (mA) | Part Number | I _F (μ A) max | V _F (V) | I _{TSM} (A) | T _j (°C) | T _{stg} (°C) | R _{th(j-l)} (°C/W) | Mass (g) | Package |
|-----------------------|------------------------|-------------|-------------------------------------|-----------------------|-------------------------------|------------------------|--------------------------|--------------------------------|-------------|--------------------------------|
| | | | | | 50Hz Single Half Sine Wave | | | | | |
| 1.5max | 1000 | VR-60SS | 20 | 0.2 | 15 | -40 to +100 | | 20 | 0.3 | Axial(ϕ 2.7/ ϕ 0.6) |
| 2.3 \pm 0.25 | 1 | VR-61SS | | | 7.5 | -40 to +100 | | 20 | 0.3 | Axial(ϕ 2.7/ ϕ 0.6) |
| 2.75 \pm 0.25 | 10 | | | | | | | | | |
| 3.1 \pm 0.25 | 70 | | | | | | | | | |
| 2.0max | 100 | SV-3SS | 50 | 0.6 | | -40 to +100 | | 20 | 0.3 | Axial(ϕ 2.7/ ϕ 0.6) |
| 1.8 \pm 0.2 | 1 | SV-4SS | 50 | 0.9 | | -40 to +100 | | 20 | 0.3 | Axial(ϕ 2.7/ ϕ 0.6) |
| 2.15 \pm 0.2 | 10 | | | | | | | | | |
| 2.4 \pm 0.25 | 30 | | | | | | | | | |

●Asymmetrical

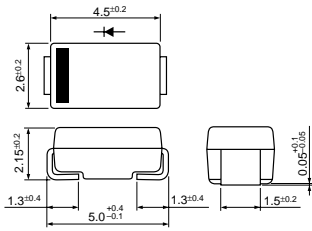
| V _F (V) | I _F (mA) | Part Number | I _F (μ A) max | I _{TSM} (A) | T _j (°C) | T _{stg} (°C) | I _R (μ A) | V _R (V) | R _{th(j-l)} (°C/W) | Mass (g) | Package |
|-----------------------|------------------------|-------------|-------------------------------------|-------------------------------|------------------------|--------------------------|------------------------------|-----------------------|--------------------------------|-------------|--------------------------------|
| | | | | 50Hz Single Half Sine Wave | | | | | | | |
| 1.2 \pm 0.2 | 1 | SV 02YS | 200 | 30 | -40 to +130 | | 10 | 100 | 20 | 0.3 | Axial(ϕ 2.7/ ϕ 0.6) |
| 1.5 \pm 0.25 | 70 | | | | | | | | | | |
| 1.8 \pm 0.2 | 1 | SV 03YS | 150 | 16 | -40 to +130 | | 10 | 100 | 20 | 0.3 | Axial(ϕ 2.7/ ϕ 0.6) |
| 2.3 \pm 0.25 | 70 | | | | | | | | | | |
| 2.35 \pm 0.2 | 1 | SV 04YS | 100 | 12 | -40 to +130 | | 10 | 100 | 20 | 0.3 | Axial(ϕ 2.7/ ϕ 0.6) |
| 3.0 \pm 0.3 | 70 | | | | | | | | | | |
| 3.0 \pm 0.3 | 1 | SV 05YS | 80 | 10 | -40 to +130 | | 10 | 100 | 20 | 0.3 | Axial(ϕ 2.7/ ϕ 0.6) |
| 3.8 \pm 0.4 | 70 | | | | | | | | | | |
| 3.5 \pm 0.4 | 1 | SV 06YS | 70 | 8 | -40 to +130 | | 10 | 100 | 20 | 0.3 | Axial(ϕ 2.7/ ϕ 0.6) |
| 4.5 \pm 0.45 | 70 | | | | | | | | | | |

| Part Number | VR-60SS | VR-61SS | SV-2SS | SV-3SS | SV-4SS |
|---------------------|---|---|--|---|---|
| Display Color |  |  |  |  |  |
| Internal Connection |  |  |  |  |  |

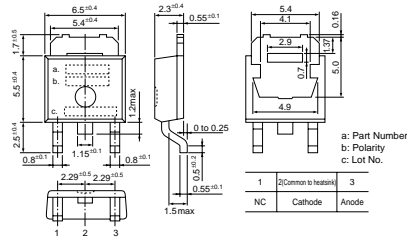
| Part Number | SV 02YS | SV 03YS | SV 04YS | SV 05YS | SV 06YS |
|---------------------|---|---|---|---|---|
| Internal Connection |  |  |  |  |  |

Package Type (Dimensions)

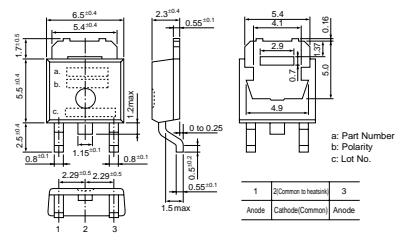
• No. 1 Surface-Mount (SJP)



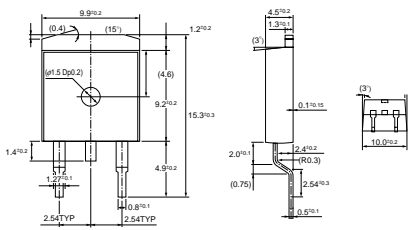
• No. 2 Surface-Mount (D pack)



• No. 3 Surface-Mount (D pack) Center-tap

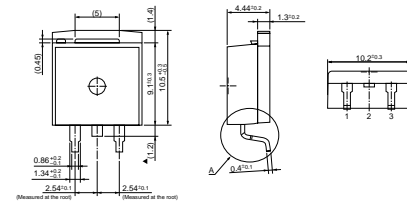


• No. 4 Surface-Mount (TO263)

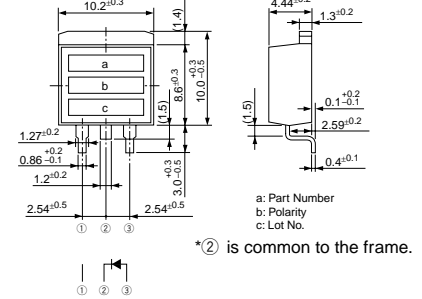


• No. 5 Surface-Mount (TO220S)

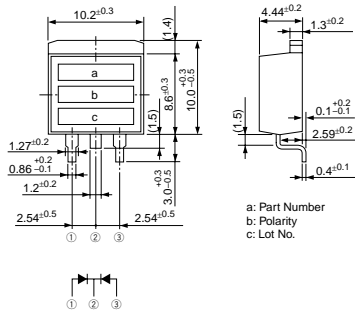
MPL-102S, MP2-202S



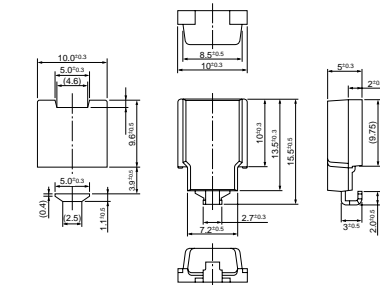
• No. 6 Surface-Mount (TO220S)



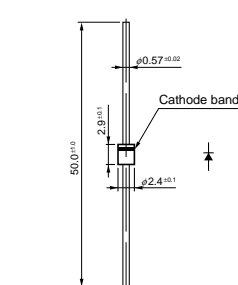
• No. 7 Surface-Mount (TO220S) Center-tap



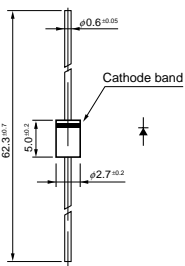
• No. 8 Surface-Mount (SZ-10)



• No. 9 Axial (φ2.4/φ0.6)

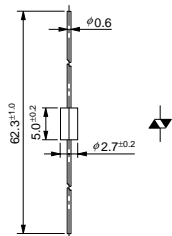


• No. 10 Axial (φ2.7/φ0.6)



• No. 11 Axial (φ2.7/φ0.6)

Silicon Varistors (Symmetrical)



• No. 12 Axial (φ2.7/φ0.78)

