

RoHS & REACH Compliant

NOTE:

1. Material:

Housing: LCP,Black(Halogen free); Thermoplastics,UL94V-0;  
Contact: Copper Alloy  
Shell: Copper Alloy

2. FINISH:

Contact: Gold Flash Plated on Contact Area,  
80u" Tin Bright Plated on Solder Tails,  
50u" Min.Nickel Underplating Over All.

Shell: 50u" Min.Nickel Underplating Over All.

3. Specification:

3.1: Voltage Current Rating: 1.5Amp. 30V/AC

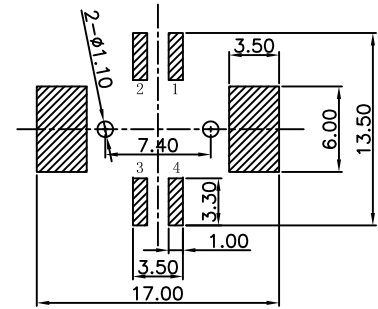
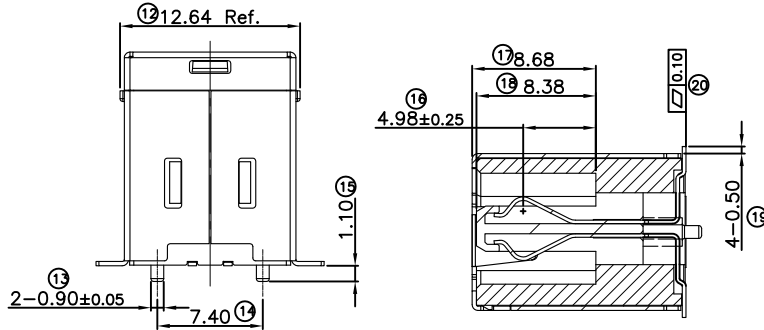
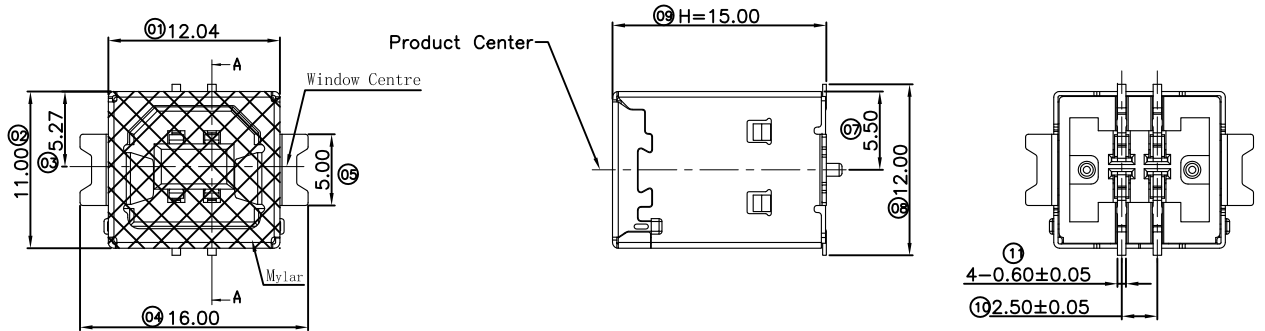
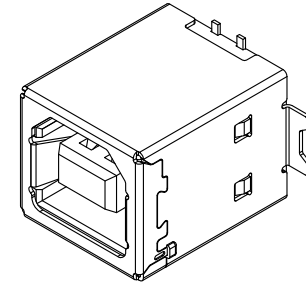
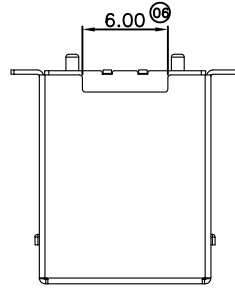
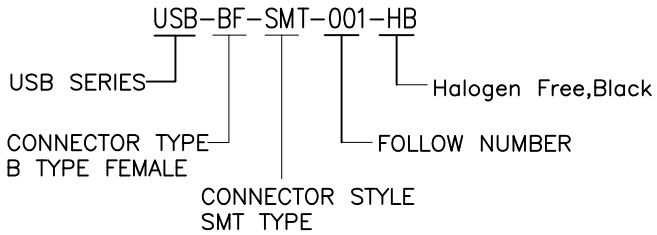
3.2: Electrical:

Insulation Resistance: 1000MΩ Min.  
Contact Resistance: 20mΩ Max.  
Dielectric Withstanding Voltage: 750V/AC 1Minute

3.3: MECHANICAL

Mating force: 35N Max.  
Unmating force:10N Min.  
Durability: 1500 cycles Min.

5. Ordering Information



RECOMMENDED PCB LAYOUT(TOP VIEW)  
GENERAL TOLERANCES: ±0.05

▨ PAD AREA

4	Mylar	PL000120006-010	Mylar (W12.0*T0.06mm)	/
3	Housing	HUB03L-1A2-BX00-H	Black, LCP, Halogen Free	
2	Shell	GUB16B-1D1-SN12	50u" Ni Plated over all	
1	Terminal	GUB17P-1C3-NP01	G/F Plated on contact area Tin Plated on solder area	
项次 NO.	品名 NAME	料号 PART NO.	表面处理 SURFACE PLATING	备注 REMARK

单位 UNIT	MM	☒ Inspection Item	Goldconn 东莞高端精密电子股份有限公司	
比例 SCALE	1:1	* : Cp/Cpk and SPC Control Item	GOLDCONN PRECISION ELECTRONICS CO.,LTD	
张数 SHEET	1/1	TOLERANCE UNLESS OTHERWISE SPECIFIED	图号 DWG NO.	USB-BF-SMT-001-HB
制图 DRAWN	Lxb	.X±0.30 X'±3'	名称 TITLE	USB B Female 180° SMT Type,H=15mm (Tape reel packing, Black)
版本 REV.	NEW ISSUE	.XX±0.20 .X'±1"	角法 PROJ.	CUSTOMER DRAWING
	16.05.26	.XXX±0.15 .XX±		
日期 DATE	16.05.26			
修改 DRAW				
核准 APPROVE				
审核 CHECKED				